



TH	THAILAND
----	----------

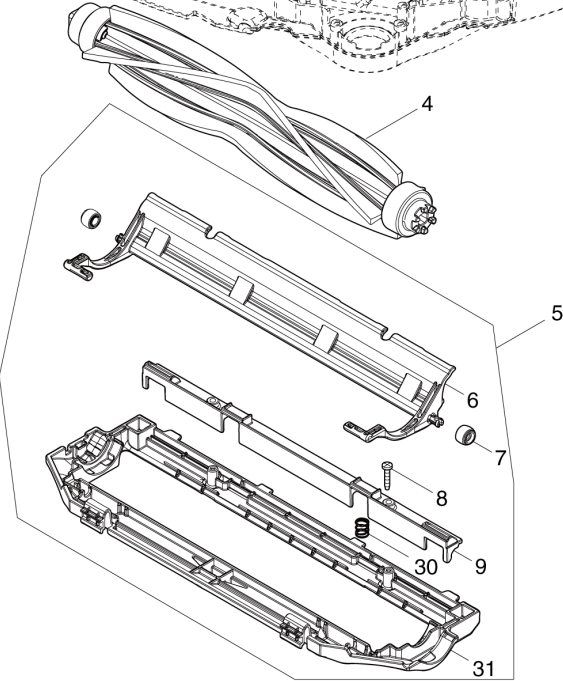
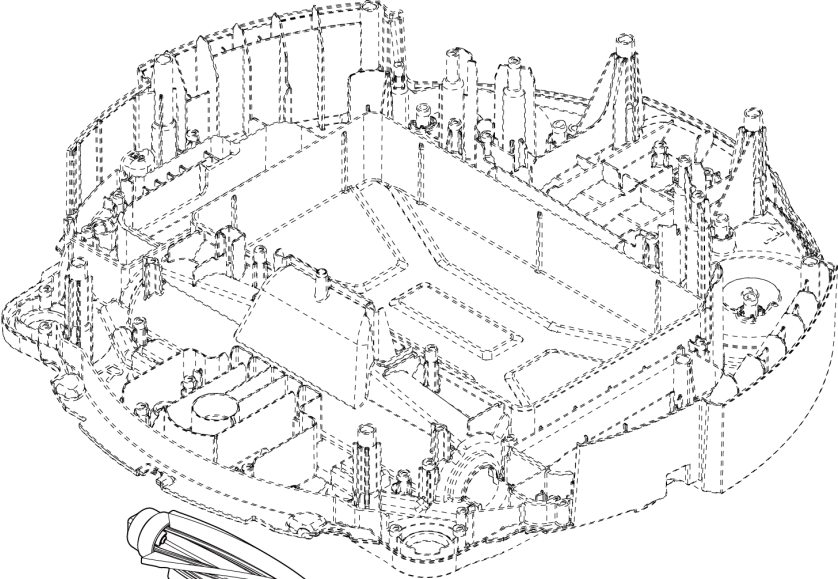
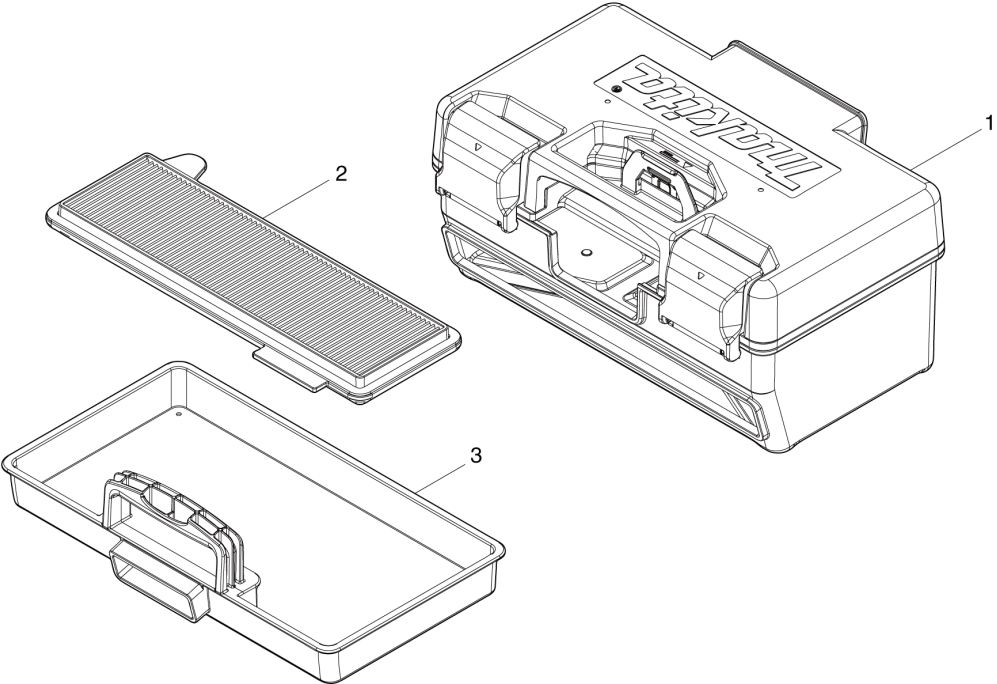
Diagram / Parts List

DRC300

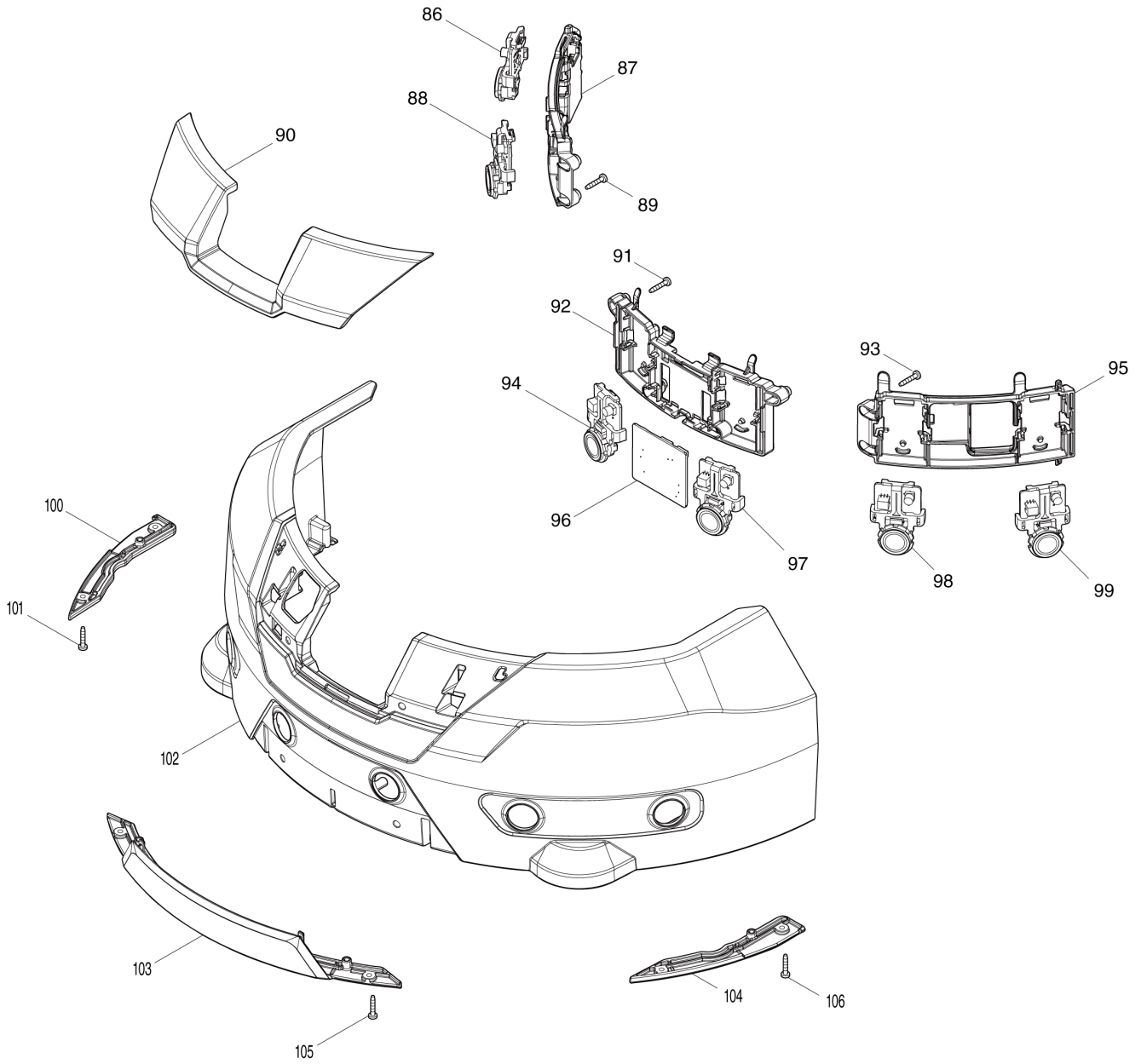
ROBOTIC CLEANER



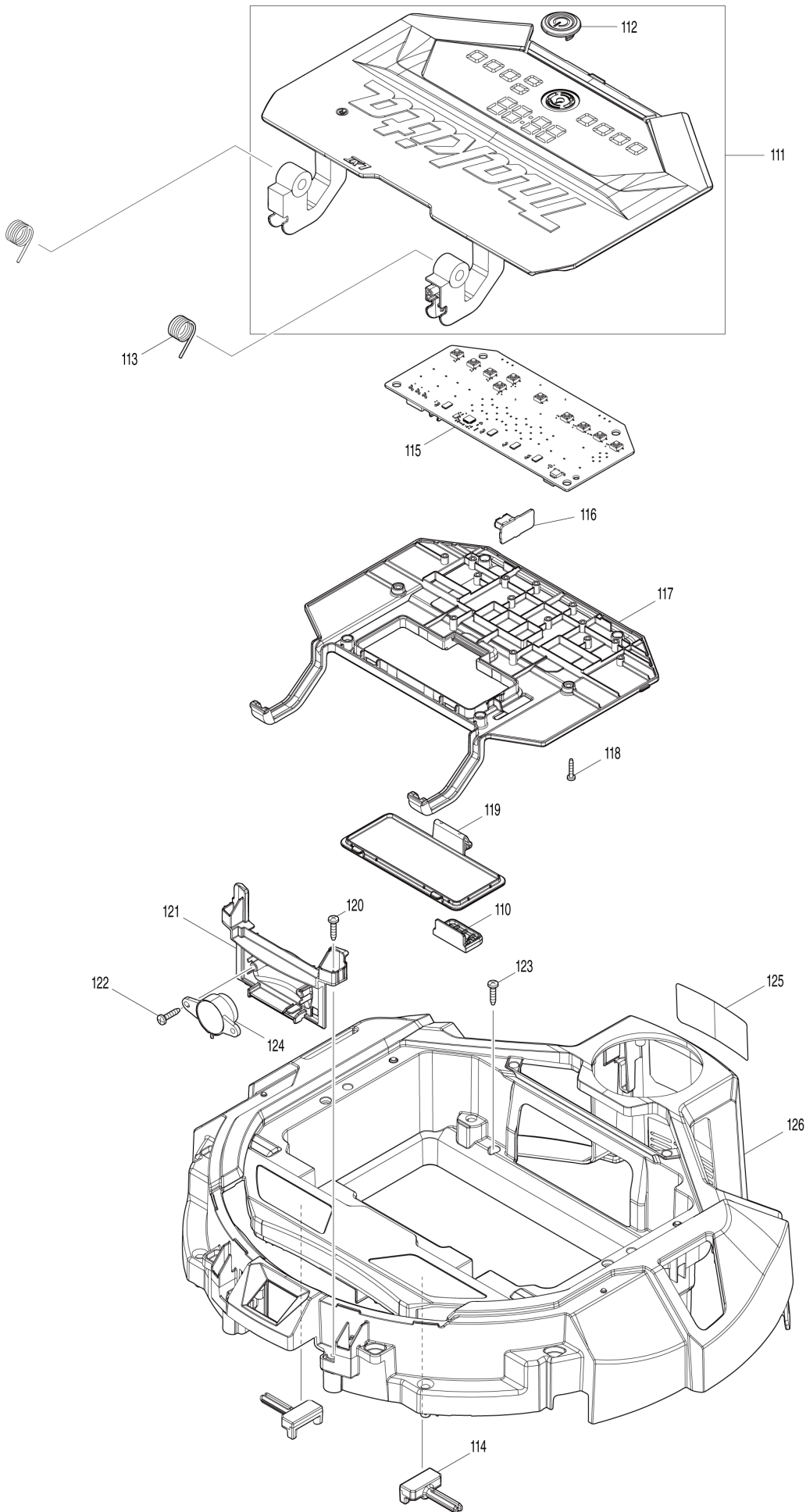
(TH) DRC300 / ROBOTIC CLEANER



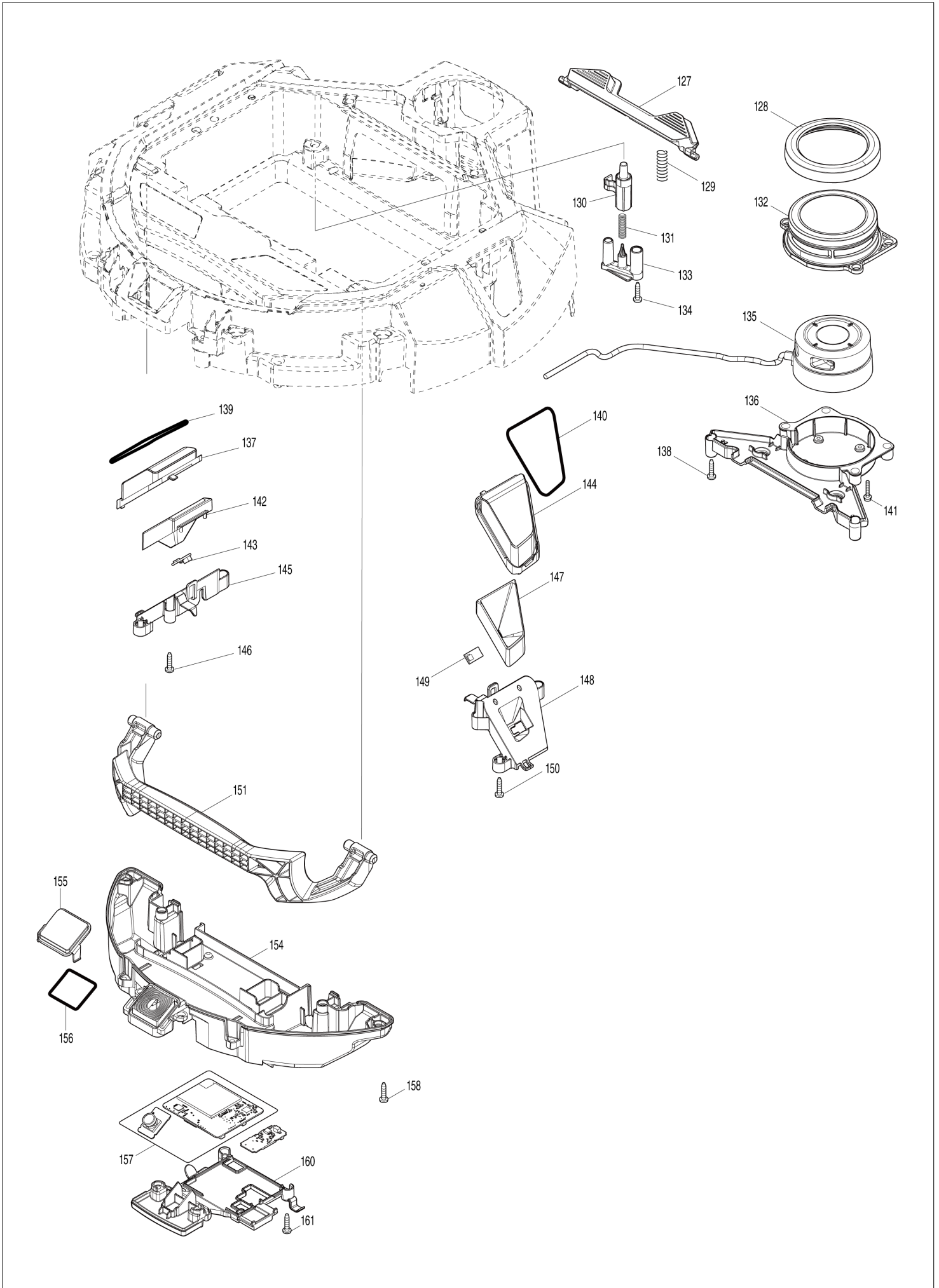
(TH) DRC300 / ROBOTIC CLEANER



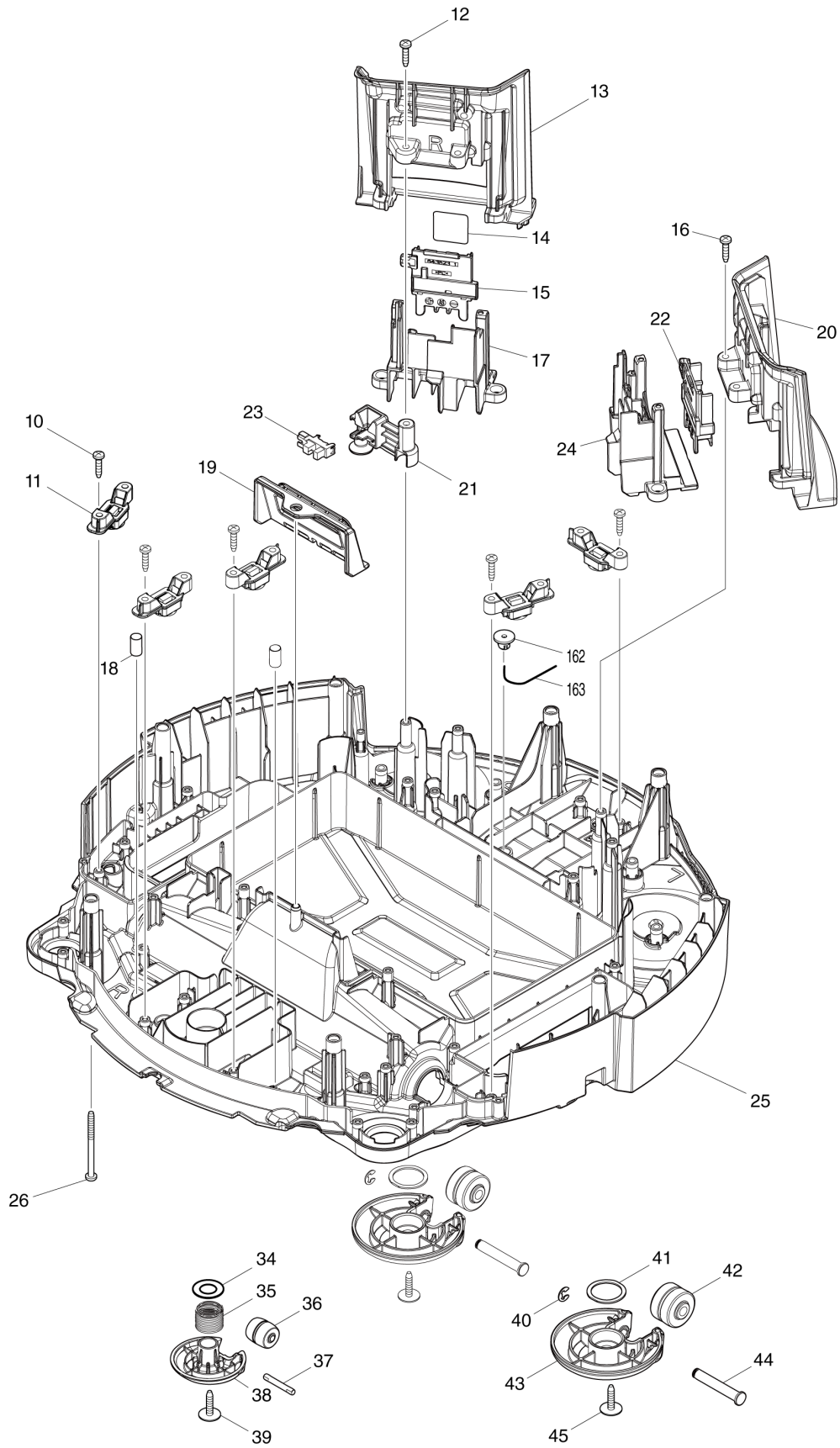
(TH) DRC300 / ROBOTIC CLEANER



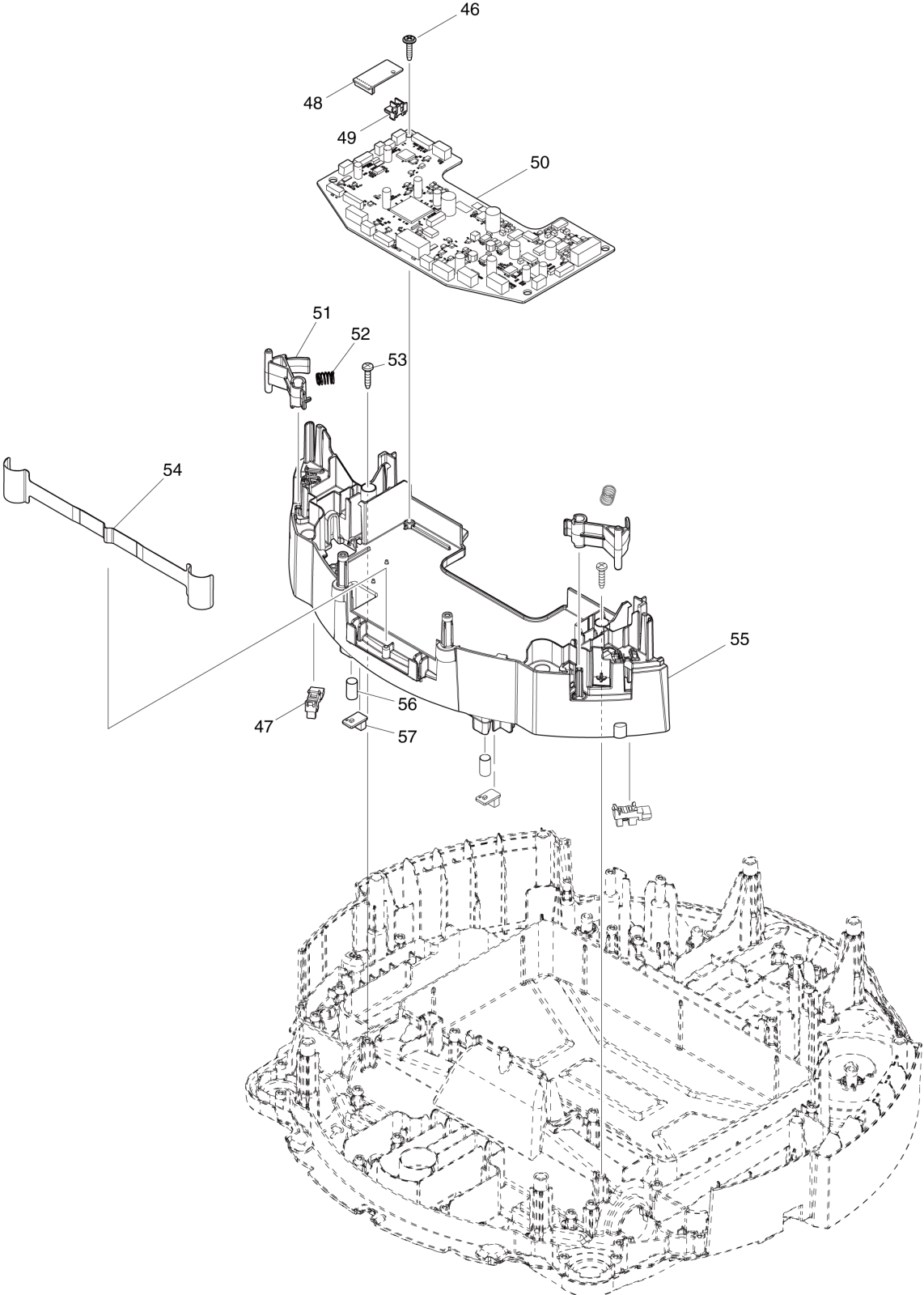
(TH) DRC300 / ROBOTIC CLEANER



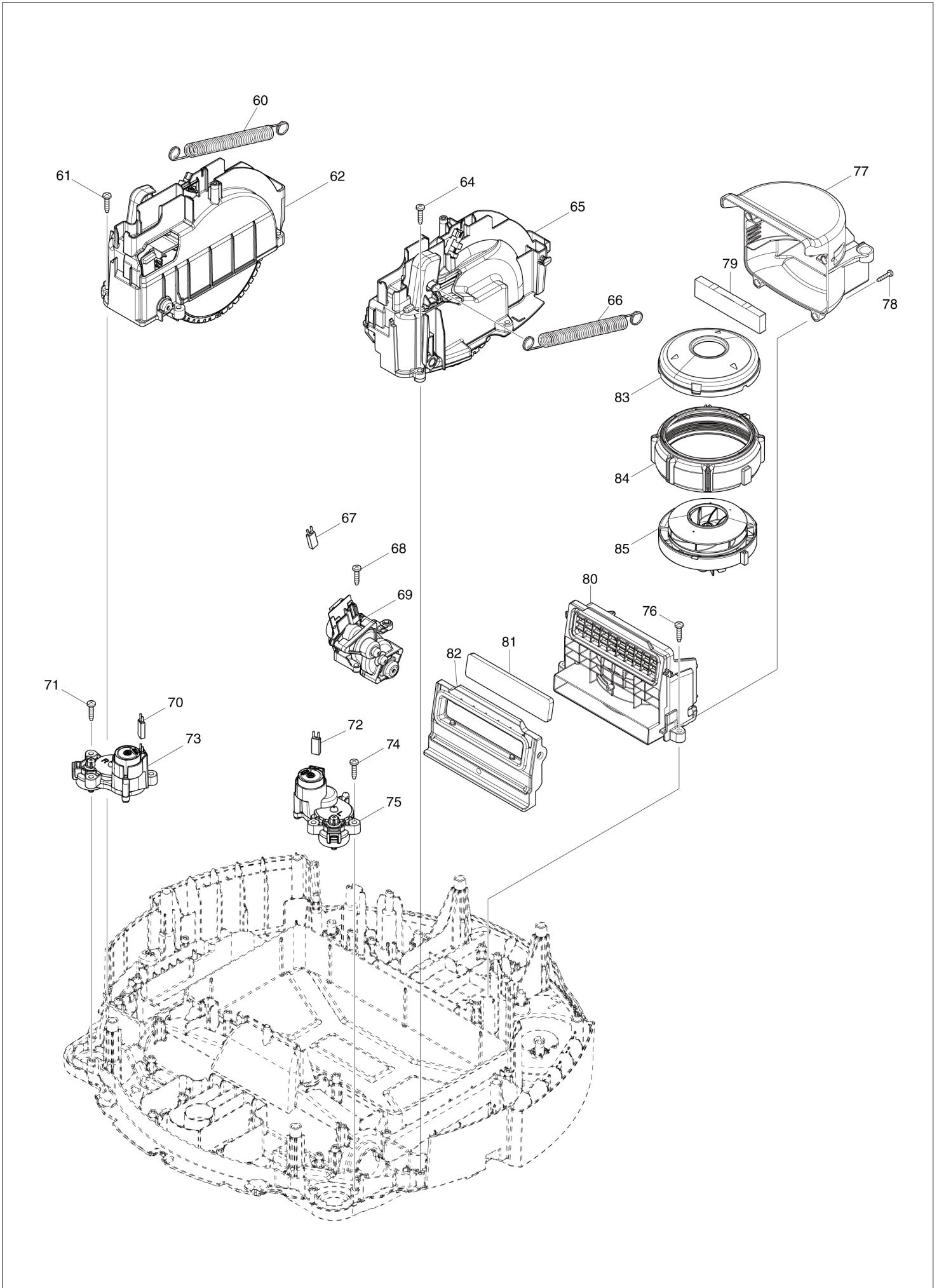
(TH) DRC300 / ROBOTIC CLEANER



(TH) DRC300 / ROBOTIC CLEANER



(TH) DRC300 / ROBOTIC CLEANER



TH	THAILAND
----	----------

DRC300 / ROBOTIC CLEANER

Item	Sub	Parts No.	Parts Description	Qty	I/C	E/C No.	Close No.	Remark
001		141A46-4	DUST BOX COMPLETE	1				
	C10	422690-3	SEAL RING	1				
002		191P31-7	FILTER H COMPLETE SET	1				
003		413500-5	UPPER TANK	1				
004		191P22-8	MAIN BRUSH COMPLETE SET	1				
	C10	413581-9	METAL HOLDER	1		Y08771		
005		191P24-4	BOTTOM PLATE ASSEMBLY SET	1				
	D10		INC. 6-9,30,31					
006		136530-6	BRUSH C ASSEMBLY	1				
007		413585-1	BOTTOM ROLLER 11	2				
008		266429-2	TAPPING SCREW 3X16	2				
009		413586-9	BOTTOM CAP	1				
010		266326-2	TAPPING SCREW 4X18	10				
011		1910L6-4	CLIFF SENSOR ASSY REPAIR SET	5				
012		266326-2	TAPPING SCREW 4X18	2				
013		141B82-6	TERMINAL COVER R COMPLETE	1				
	C10	263005-3	RUBBER PIN 6	2				
014		811U06-7	DRC300 SERIAL NO. LABEL	1				
015		643523-1	TERMINAL	1				
016		266326-2	TAPPING SCREW 4X18	2				
017		413478-2	TERMINAL BASE	1				
018		688234-1	FERRITE CORE	2				
019		413554-2	PACKING A	1				
020		141B81-8	TERMINAL COVER L COMPLETE	1				
	C10	263005-3	RUBBER PIN 6	2				
021		413555-0	FILTER SENSOR HOLDER	1				
022		643523-1	TERMINAL	1				
023		1910J8-6	PHOTO INTERRUPTER REPAIR SET	1				
024		413478-2	TERMINAL BASE	1				
025		141J98-9	LOWER HOUSING COMPLETE	1			DL868	
	C10	422530-5	SPONGE SHEET	2			DL868	
025-1		141J98-9	LOWER HOUSING COMPLETE	1	O	DL868		
	C10	422530-5	SPONGE SHEET	2		DL868		
026		266147-2	TAPPING SCREW 4X55	8				
030		232690-3	COMPRESSION SPRING 7	2				
031		413583-5	BOTTOM PLATE	1				
034		253084-9	FLAT WASHER 12	1				
035		232685-6	COMPRESSION SPRING 18	1				
036		413552-6	FRONT ROLLER 18	1				
037		256989-2	PIN 4	1				
038		413553-4	FRONT CASTER	1				
039		251599-0	TAPPING SCREW 4X18	1				
040		961018-5	STOP RING E-5	2				
041		261167-1	POLYACETAL WASHER 22	2				
042		413551-8	REAR ROLLER 28	2				
043		413550-0	REAR CASTER	2				
044		256988-4	COLLAR HD. PIN 7	2				
045		251599-0	TAPPING SCREW 4X18	2				
046		263046-9	TAPPING SCREW 3X14	4				
047		1910J8-6	PHOTO INTERRUPTER REPAIR SET	2				
048		1910J9-4	RF MODULE REPAIR SET	1				
049		413561-5	RF HOLDER	1				
050		1910K0-9	CONTROL BOARD REPAIR SET	1			DF090	
050-1		1910K0-9	CONTROL BOARD REPAIR SET	1	O	DF090		
051		413560-7	BUMPER ARM	2				
052		232700-6	COMPRESSION SPRING 8	2				
053		266326-2	TAPPING SCREW 4X18	2				
054		232687-2	LEAF SPRING	1				
055		413418-0	CONTROLLER HOLDER	1				
056		688234-1	FERRITE CORE	2				
057		1910K1-7	HALL SENSOR BOARD REPAIR SET	2				
060		232686-4	TENSION SPRING 11	1				
061		266326-2	TAPPING SCREW 4X18	4				
062		1910L3-0	WHEEL R ASSEMBLY REPAIR SET	1				
	C10	638A06-0	LEAD UNIT G	1		Y08776		

A:DRC300Z(N)

Interchange
 O : Yes
 X : No
 < : the new part can be substituted for the current.
 > : the current part can be substituted for the new.
 S : Interchangeable as a set.

TH	THAILAND
-----------	-----------------

DRC300 / ROBOTIC CLEANER

Item	Sub	Parts No.	Parts Description	Qty	I/C	E/C No.	Close No.	Remark
064		266326-2	TAPPING SCREW 4X18	4				
065		1910L2-2	WHEEL L ASSEMBLY REPAIR SET	1				
	C10	638A06-0	LEAD UNIT G	1		Y08776		
066		232686-4	TENSION SPRING 11	1				
067		632S56-5	THERMAL PROTECTOR UNIT	1				
068		266326-2	TAPPING SCREW 4X18	2				
069		1910L1-4	MAIN BRUSH MOTOR A, REPAIR SET	1				
	C10	413536-4	JOINT	1		Y08771		
	C20	911029-0	P.H.SCREW M3X16 WITH WG	1		Y08771		
070		632S55-7	THERMAL PROTECTOR UNIT	1				
071		266326-2	TAPPING SCREW 4X18	3				
072		632S55-7	THERMAL PROTECTOR UNIT	1				
073		1910L5-6	SIDE BRUSH R MOTOR REPAIR SET	1				
074		266326-2	TAPPING SCREW 4X18	3				
075		1910L4-8	SIDE BRUSH L MOTOR REPAIR SET	1				
076		266326-2	TAPPING SCREW 4X18	2				
077		413559-2	AIR DUCT COVER	1				
078		266429-2	TAPPING SCREW 3X16	4			DF330	
078-1		266130-9	TAPPING SCREW BIND PT 3X16	4	O	DF330		
079		422698-7	EXHAUST FILTER	1				
080		413557-6	AIR DUCT HOUSING	1				
081		422697-9	SPONGE SHEET 24-110	1				
082		413558-4	PACKING B	1				
083		413535-6	FAN COVER	1				
084		422696-1	RUBBER RING	1				
085		1910L0-6	FAN MOTOR ASSEMBLY REPAIR SET	1				
086		1910K3-3	USS SUB BOARD REPAIR SET	1				
087		413482-1	USS COVER R	1				
088		1910K3-3	USS SUB BOARD REPAIR SET	1				
089		266429-2	TAPPING SCREW 3X16	2			DF330	
089-1		266130-9	TAPPING SCREW BIND PT 3X16	2	O	DF330		
090		413572-0	BUMPER CAP	1				
091		266429-2	TAPPING SCREW 3X16	4			DF330	
091-1		266130-9	TAPPING SCREW BIND PT 3X16	4	O	DF330		
092		413480-5	USS COVER C	1				
093		266429-2	TAPPING SCREW 3X16	2			DF330	
093-1		266130-9	TAPPING SCREW BIND PT 3X16	2	O	DF330		
094		1910K3-3	USS SUB BOARD REPAIR SET	1				
095		413481-3	USS COVER L	1				
096		1910K2-5	USS MAIN BOARD REPAIR SET	1			DR757	
096-1		1910K2-5	USS MAIN BOARD REPAIR SET	1	O	DR757		
097		1910K3-3	USS SUB BOARD REPAIR SET	1				
098		1910K3-3	USS SUB BOARD REPAIR SET	1				
099		1910K3-3	USS SUB BOARD REPAIR SET	1				
100		413579-6	BUMPER COVER R	1				
101		266429-2	TAPPING SCREW 3X16	2			DF330	
101-1		266130-9	TAPPING SCREW BIND PT 3X16	2	O	DF330		
102		413427-9	BUMPER	1				
103		413575-4	BUMPER COVER C	1				
104		413578-8	BUMPER COVER L	1				
105		266429-2	TAPPING SCREW 3X16	3			DF330	
105-1		266130-9	TAPPING SCREW BIND PT 3X16	3	O	DF330		
106		266429-2	TAPPING SCREW 3X16	2			DF330	
106-1		266130-9	TAPPING SCREW BIND PT 3X16	2	O	DF330		
110		422820-6	RUBBER CAP	1				
111		127838-9	TOP COVER ASSEMBLY	1				
	D10		INC. 112					
112		413570-4	SWITCH BUTTON	1				
113		232689-8	TORSION SPRING 14	2				
114		312B42-7	TOP COVER SHAFT	2				
115		1910K4-1	UI BOARD REPAIR SET	1				
116		1910K7-5	USB IF BOARD REPAIR SET	1				
117		141B97-3	TOP CAP COMPLETE	1				
	C10	8032K4-8	INDICATION LABEL	1				
118		266429-2	TAPPING SCREW 3X16	6			DF330	

A:DRC300Z(N)

Interchange
 O : Yes
 X : No
 < : the new part can be substituted for the current.
 > : the current part can be substituted for the new.
 S : Interchangeable as a set.

TH	THAILAND
----	----------

DRC300 / ROBOTIC CLEANER

Item	Sub	Parts No.	Parts Description	Qty	I/C	E/C No.	Close No.	Remark
118-1		266130-9	TAPPING SCREW BIND PT 3X16	6	O	DF330		
119		413543-7	USB COVER	1				
120		266326-2	TAPPING SCREW 4X18	2				
121		413537-2	INNER FRONT COVER	1				
122		266326-2	TAPPING SCREW 4X18	2				
123		266326-2	TAPPING SCREW 4X18	6				
124		1910K9-1	BUZZER REPAIR SET	1				
125		811U01-7	DRC300 NAME PLATE	1				
126		141B86-8	UPPER HOUSING COMPLETE	1				
	C10	263005-3	RUBBER PIN 6	2				
	C20	8032J5-9	CAUTION LABEL	1				
	C30	8032J6-7	CAUTION LABEL	1				
127		413568-1	BUTTON	1			DJ133	
127-1		413P98-8	BUTTON	1	<	DJ133		
128		422701-4	PROTECTOR	1				
129		231297-2	COMPRESSION SPRING 9	2				
130		413540-3	FILTER BUTTON	1				
131		232688-0	COMPRESSION SPRING 6	1				
132		141B90-7	LIDAR COVER COMPLETE	1				
	C10	8032J8-3	INDICATION LABEL	1				
133		413541-1	SPRING HOLDER	1				
134		266326-2	TAPPING SCREW 4X18	1				
135		620B66-2	LIDAR MODULE	1				
136		413567-3	LIDAR HOLDER	1				
137		413547-9	LED LENS R	1				
138		266326-2	TAPPING SCREW 4X18	6				
139		422703-0	SEAL RING S	1				
140		422703-0	SEAL RING S	1				
141		911029-0	P.H.SCREW M3X16 WITH WG	4				
142		413548-7	LED REFLECTOR R	1				
143		1910K5-9	LED BOARD REPAIR SET	1				
144		413544-5	LED LENS L	1				
145		413549-5	LED COVER R	1				
146		266326-2	TAPPING SCREW 4X18	2				
147		413545-3	LED REFLECTOR L	1				
148		413546-1	LED COVER L	1				
149		1910K5-9	LED BOARD REPAIR SET	1				
150		266326-2	TAPPING SCREW 4X18	2				
151		413562-3	HANDLE	1				
154		413422-9	HANDLE COVER	1				
155		413542-9	VISION CAMERA LENS	1				
156		422700-6	SEAL RING T	1				
157		1910K8-3	VISION CAMERA COMP REPAIR SET	1			DE361	
157-1		1910K8-3	VISION CAMERA COMP REPAIR SET	1		DE361	DF301	
157-2		1911A5-5	VISION CAMERA COMP REPAIR SET	1		DF301	DG449	
157-3		1911A5-5	VISION CAMERA COMP REPAIR SET	1	O	DG449	DN992	
157-4		1911A5-5	VISION CAMERA COMP REPAIR SET	1	O	DN992		
158		266326-2	TAPPING SCREW 4X18	6				
160		413565-7	HANDLE LOWER COVER	1				
161		266326-2	TAPPING SCREW 4X18	4				
162		421468-1	CORD SEAL	1				
163		649152-8	EARTH LINE 70	1				
A01		191P28-6	SIDE BRUSH ASSEMBLY SET	1				
A02		620B53-1	RF REMOTE CONTROLLER	1				
	C10	NC00000012	BATTERY COVER	1				
E01		136571-2	EARTH LINE LEAD UNIT A ASSY	1				
	D10		INC. 162,163					
E02		638A01-0	LEAD UNIT B	1				
E03		638A02-8	LEAD UNIT C	1				
E04		638A03-6	LEAD UNIT D	2				
E05		638A04-4	LEAD UNIT E	1				
E06		638A05-2	LEAD UNIT F	2				
E08		638A07-8	LEAD UNIT H	1				
E09		638A08-6	LEAD UNIT I	1				
E10		638A09-4	LEAD UNIT J	2				

A:DRC300Z(N)

Interchange
O : Yes
X : No
< : the new part can be substituted for the current.
> : the current part can be substituted for the new.
S : Interchangeable as a set.

