



TH	THAILAND
----	----------

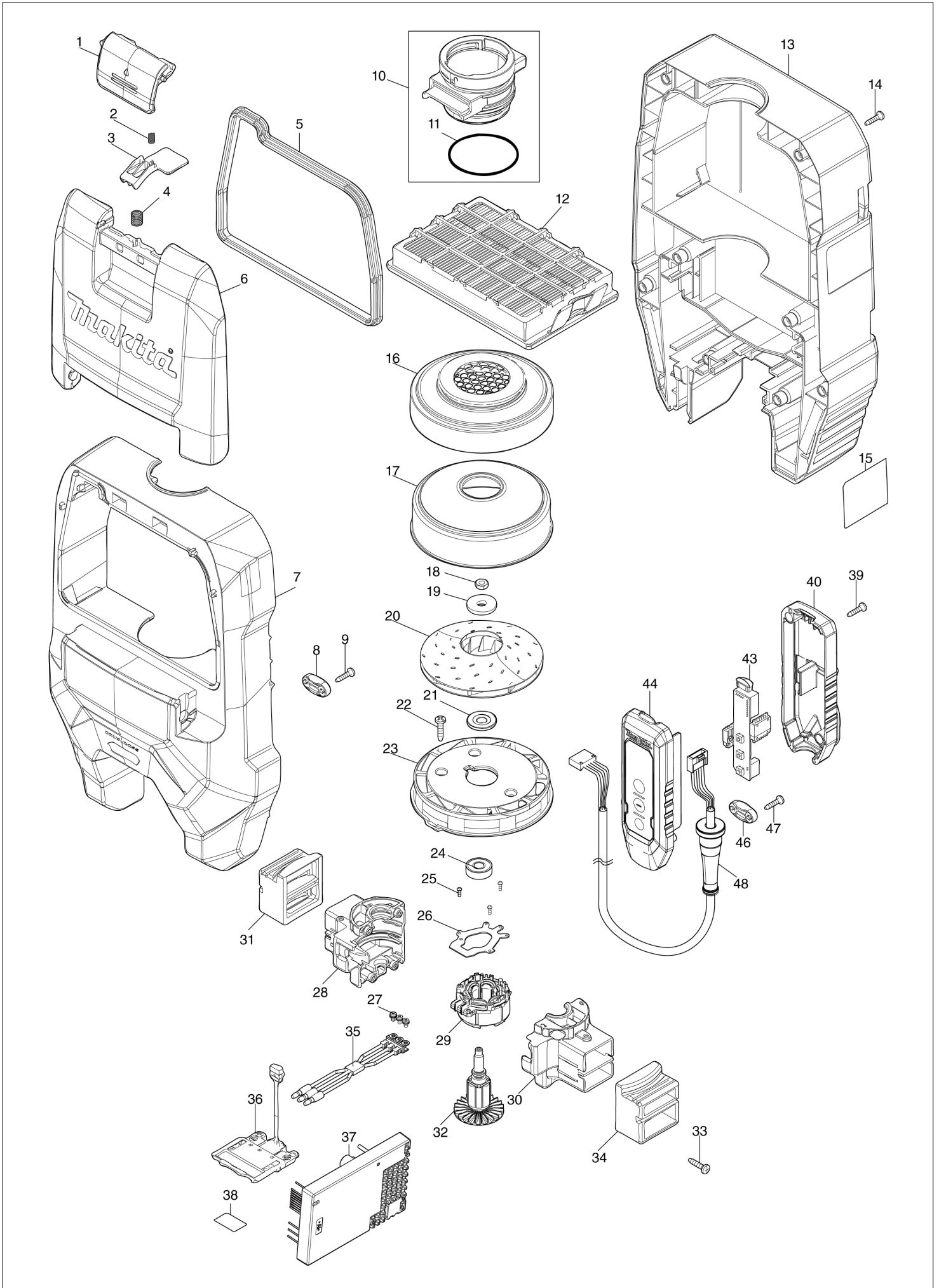
Diagram / Parts List

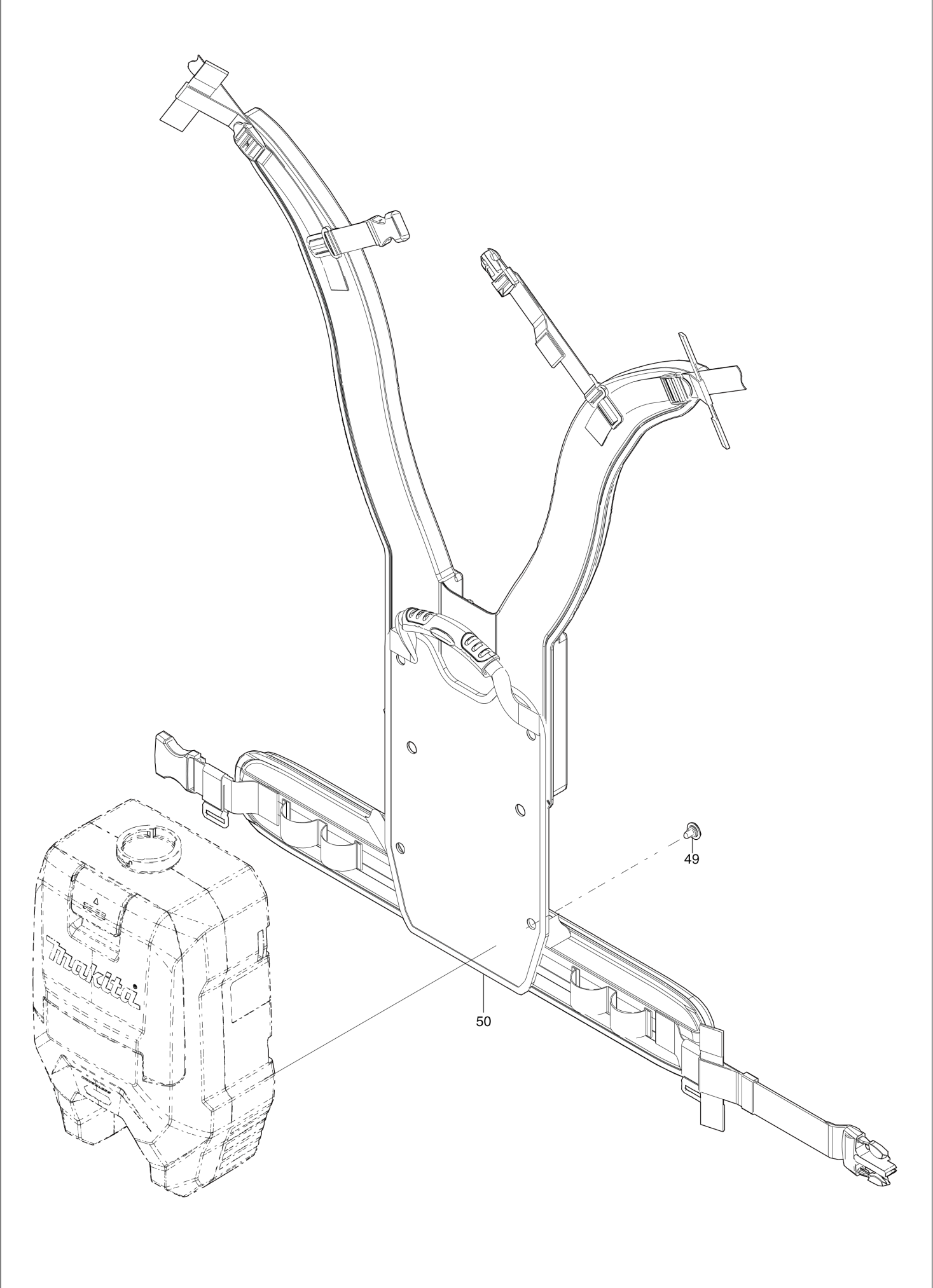
VC008G

CORDLESS BCKPCK VACUUM CLEANER



(TH) VC008G / CORDLESS BCKPCK VACUUM CLEANER





TH	THAILAND
----	----------

VC008G / CORDLESS BCKPCK VACUUM CLEANER

Item	Sub	Parts No.	Parts Description	Qty	I/C	E/C No.	Close No.	Remark
001		413E52-6	HOOK	1				
002		232389-0	COMPRESSION SPRING 5	1				
003		459912-8	STOPPER PLATE	1				
004		234391-9	COMPRESSION SPRING 8	1				
005		422850-7	SEAL	1				
006		413E51-8	DUST BOX COVER	1				
007		136647-5	UPPER HOUSING ASSY	1				
	C10	263005-3	RUBBER PIN 6	2				
	C20	8025F3-0	XGT LOGO LABEL	1				
008		687124-5	STRAIN RELIEF	1				
009		266326-2	TAPPING SCREW 4X18	2				
010		135771-1	INLET ASS'Y	1				
	D10		INC. 11					
011		213655-4	O RING 56	1				
012		191Y27-2	MAIN FILTER H SET	1				
013		141H47-4	LOWER HOUSING COMPLETE	1				
	C10	422854-9	REAR BLOCK FILTER A	2				
	C20	422855-7	REAR BLOCK FILTER B	1				
014		266326-2	TAPPING SCREW 4X18	8				
015		8116N6-5	VC008G NAME PLATE	1				
016		422851-5	SUPPORT RING	1				
017		347965-8	FAN COVER	1				
018		252268-6	HEX. NUT M6	1				
019		253752-4	FLAT WASHER 8	1				
020		240178-9	FAN 104	1				
021		313062-2	FLANGE	1				
022		266326-2	TAPPING SCREW 4X18	3				
023		413E42-9	FAN BASE	1				
024		210005-4	BALL BEARING 608DDW	1				
025		266490-9	TAPPING SCREW PT 2X6	3				
026		620H32-5	CONTROLLER B	1				
027		652069-6	FLAT HEAD SCREW M3X6	3				
028		183V01-6	MOTOR HOUSING SET	1				
	D10		INC. 30					
029		629B16-4	STATOR	1				
030		183V01-6	MOTOR HOUSING SET	1				
	D10		INC. 28					
031		422856-5	SUPPORT A	1				
032		619746-3	ROTOR	1				
033		266326-2	TAPPING SCREW 4X18	4				
034		422856-5	SUPPORT A	1				
035		638A29-8	LEAD UNIT	1				
036		632P49-4	TERMINAL UNIT	1				
037		620H30-9	CONTROLLER	1				
038		8116P4-3	VC008G SERIAL NO. LABEL	1				
039		266130-9	TAPPING SCREW BIND PT 3X16	2				
040		183V66-8	SWITCH CASE SET	1				
	C10	8045G1-7	SWITCH LABEL	1				
	D10		INC. 44					
043		620H33-3	SWITCH CIRCUIT	1				
044		183V66-8	SWITCH CASE SET	1				
	C10	8045G1-7	SWITCH LABEL	1				
	D10		INC. 40					
046		687124-5	STRAIN RELIEF	1				
047		266326-2	TAPPING SCREW 4X18	2				
048		699193-4	POWER SUPPLY CORD UNIT	1				
049		265008-3	+ FLAT HEAD SCREW M5	4				
050		162B36-0	HARNESS	1				
A01		197898-5	DUST BAG ASSEMBLY SET 2L	1				
A02		191G86-8	NOZZLE ASSEMBLY SET	1				
A03		199453-9	HOSE COMPLETE 32-1.0 SET	1				
A04		140G19-0	TELESCOPIC PIPE COMPLETE	1				
A05		140G26-3	BENT PIPE COMPLETE	1				
A06		166116-2	HOSE BAND	1				
A08		198919-6	LONG SASH NOZZLE SET 28 WHI	1				

A:VC008GZ06(N)

Interchange
 O : Yes
 X : No
 < : the new part can be substituted for the current.
 > : the current part can be substituted for the new.
 S : Interchangeable as a set.

