



TH	THAILAND
----	----------

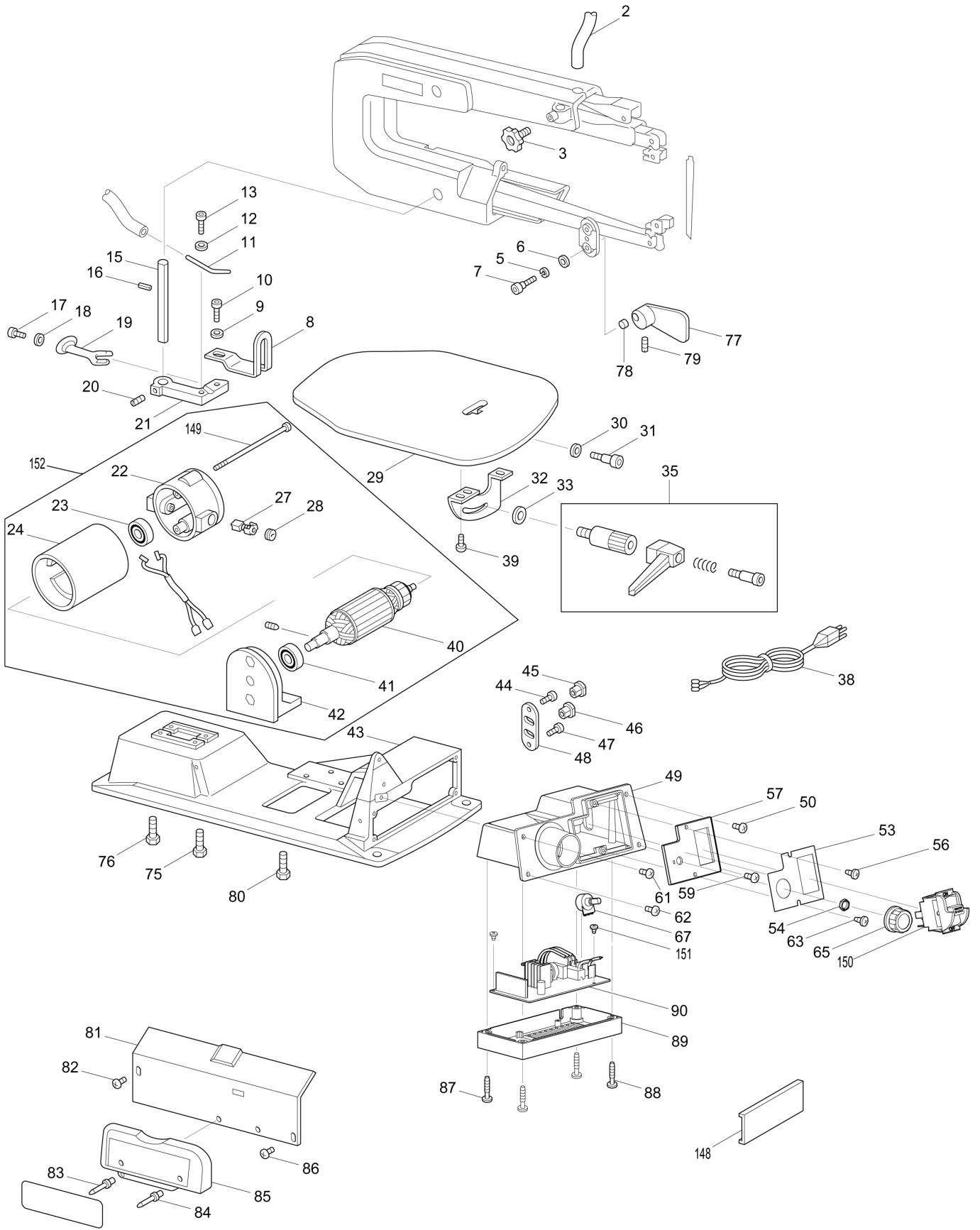
Diagram / Parts List

SJ401

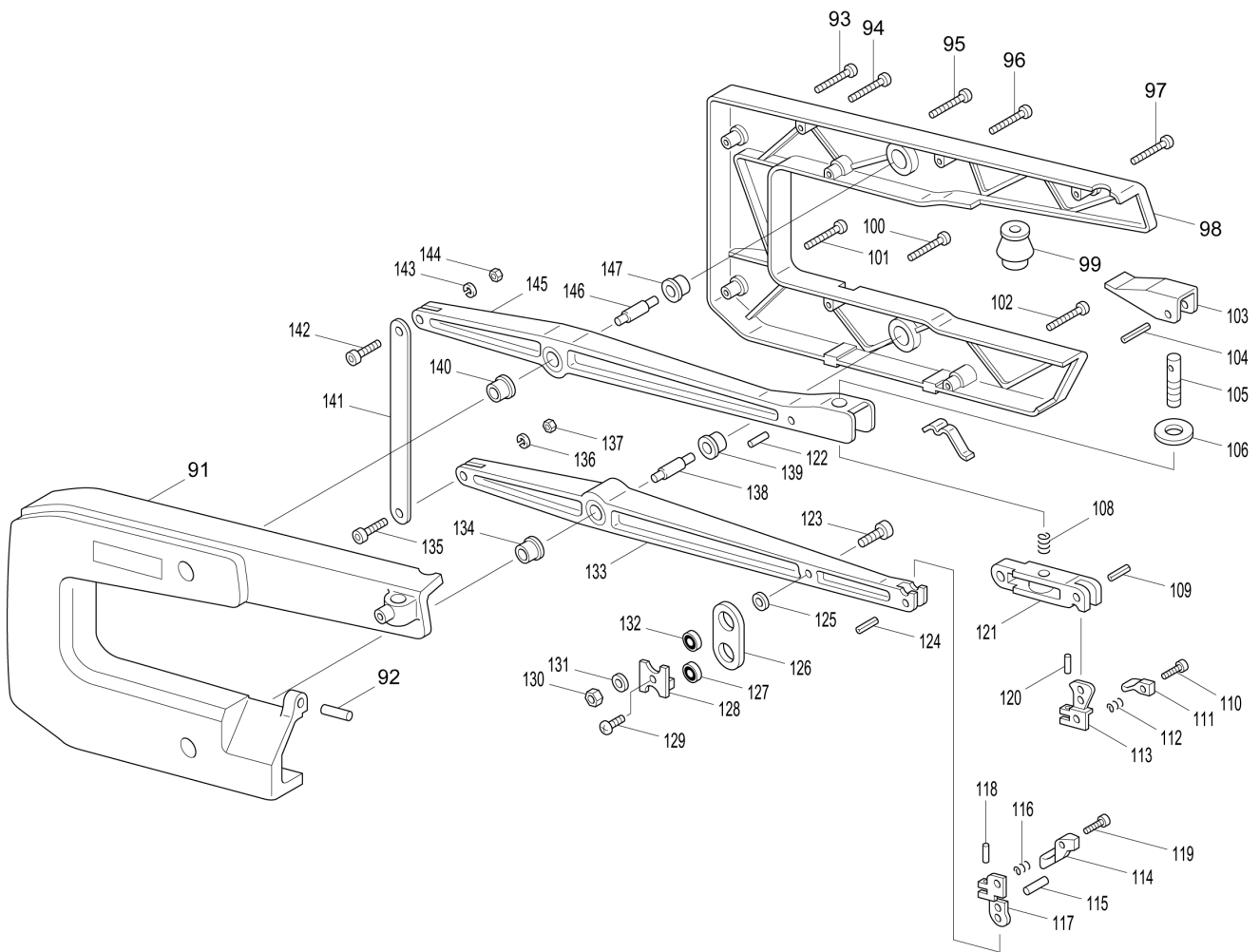
SCROLL SAW



(TH) SJ401 / SCROLL SAW



(TH) SJ401 / SCROLL SAW



TH	THAILAND
----	----------

SJ401 / SCROLL SAW

Item	Sub	Parts No.	Parts Description	Qty	I/C	E/C No.	Close No.	Remark
002		303209-000	HOSE	1				
003		303071-001	KNOB	1				
005		021200-001	SPRING WASHER	1				
006		021101-027	FLAT WASHER	1				
007		020613-001	HEX.SOCKET BOLT	1				
008		270310-000	BLADE SUPPORTER & GUARD	1				
009		021104-023	FLAT WASHER	1				
010		020601-003	HEX.SOCKET BOLT	1				
011		290081-000	DUST BLOWER	1				
012		021104-023	FLAT WASHER	1				
013		020601-003	HEX.SOCKET BOLT	1				
015		290079-000	SUPPORT ROD	1				
016		026104-001	PIN SPRINGR	1				
017		020601-003	HEX.SOCKET BOLT	1				
018		021104-023	FLAT WASHER	1				
019		270309-000	HOLD DOWN FOOT	1				
020		020505-003	SET SCREW	1				
021		225070-000	HOLD DOWN BLOCK	1				
022		303204-003	MOTOR REAR COVER	1				
	C10	303205-001	BRUSH HOLDER	2			Y09087	
023		050007-000	BEARING	1				
024		900312-000	FIELD ASS'Y WITH MOTOR HOUSING	1				
027		375009-001	CARBON BRUSH	2				
028		303000-001	BRUSH HOLDER CAP	2				
029		224053-000	TABLE	1				
030		021402-001	WAVE WASHER	1				
031		020614-001	SOCKET HEAD SCREW	1				
032		270311-000	TILT BRACKET	1				
033		021101-025	FLAT WASHER	1				
035		900403-000	LOCK HANDLE ASS'Y	1				
038		080171-000	POWER CORD	1				
039		020219-001	SCREW	3				
040		880084-000	ARMATURE ASS'Y WITH BEARINGS	1				
	D10		INC. 23,41					
041		050015-100	BEARING	1				
042		225083-000	MOTOR FRONT COVER	1				
043		240051-000	BASE	1				
044		020103-015	SCREW	1				
045		913002-000	BUSHING	1				
046		913002-000	BUSHING	1				
047		020103-015	SCREW	1				
048		270248-000	BUSHING SET COVER	1				
049		302043-003	SWITCH CASE	1				
050		020103-015	SCREW	1				
053		863305-006	INDICATION LABEL	1				
054		022804-000	NUT	1				
055		290080-000	LOCK POST	1				
056		020228-001	SCREW	1				
057		303259-001	SWITCH COVER	1				
058		021308-001	EXT.TOOTH WASHER	1				
059		020103-015	SCREW	1				
060		022301-001	NUT	1				
061		020103-015	SCREW	1				
062		020103-015	SCREW	1				
063		020228-001	SCREW	1				
065		303207-000	CONTROL KNOB	1				
067		370021-000	SWITCH,WASHER & NUT	1				
068		020726-001	PAN HEAD SCREW	1				
069		270249-000	POINTER	1			Y08114	
069-1		303242-000	POINTER	1	O	Y08114		
071		021306-001	LOCK WASHER	1				
073		020103-015	SCREW	2				
074		021306-001	LOCK WASHER	1				
075		020720-003	SCREW & WASHER	2				
076		020720-003	SCREW & WASHER	2				

A:

Interchange
O : Yes
X : No
< : the new part can be substituted for the current.
> : the current part can be substituted for the new.
S : Interchangeable as a set.

TH	THAILAND
----	----------

SJ401 / SCROLL SAW

Item	Sub	Parts No.	Parts Description	Qty	I/C	E/C No.	Close No.	Remark
077		240042-000	COUNTERWEIGHT	1				
078		060047-000	SPACER	1				
079		020508-001	SET SCREW	1				
080		020723-007	SCREW & WASHER	3				
081		270308-000	PLATE COVER	1				
082		020106-013	SCREW	1				
083		024201-001	PULL NAIL	1				
084		024201-001	PULL NAIL	1				
085		303202-000	BLADE STORAGE CASE	1				
086		020106-013	SCREW	1				
087		020200-017	SCREW	2				
088		020200-017	SCREW	2				
089		900782-006	BOARD COVER ASSY (220V)	1				
090		900625-004	CONTROL BOARD ASS'Y (220V)	1				
091		225112-000	ARM COVER(LEFT)	1			Y08115	
091-1		900570-000	ARM COVER SET	1	<	Y08115		
092		026202-007	PIN	1				
093		020702-001	COVER SET SCREW	1				
094		020702-001	COVER SET SCREW	1				
095		020702-001	COVER SET SCREW	1				
096		020702-001	COVER SET SCREW	1				
097		020702-001	COVER SET SCREW	1				
098		225111-000	ARM COVER(RIGHT)	1			Y08115	
099		330026-000	AIR DIAPHRAGM	1				
100		020702-001	COVER SET SCREW	1				
101		020702-001	COVER SET SCREW	1				
102		020702-001	COVER SET SCREW	1				
103		225069-000	BLADE TENSION LEVER	1				
104		026104-009	PIN	1				
105		290078-000	TENSION ADJUSTING BOLT	1				
106		021100-011	FLAT WASHER	1				
108		029141-001	SPRING	1				
109		026103-015	ROLL PIN	1				
110		020608-003	HEX.SOCKET BOLT	1				
111		250006-000	UPPER BLADE NUT	1				
112		029144-001	COMPRESSION SPRING	1				
113		250005-000	UPPER BLADE HOLDER	1				
114		250004-000	LOWER BLADE NUT	1				
115		026103-015	ROLL PIN	1				
116		029144-001	COMPRESSION SPRING	1				
117		250003-000	LOWER BLADE HOLDER	1				
118		026107-001	PIN	1				
119		020608-003	HEX.SOCKET BOLT	1				
120		026107-001	PIN	1				
121		225073-000	BLADE SUPPORT	1				
122		026102-007	PIN	1				
123		020600-001	HEX. SOCKET BOLT	1				
124		026103-015	ROLL PIN	1				
125		060052-000	SPACER	1				
126		303201-000	ARM LINK	1				
127		050012-000	BEARING	1				
128		270252-000	BEARING FENCE	1				
129		020200-015	SCREW	1				
130		022101-001	NUT	1				
131		021101-027	FLAT WASHER	1				
132		050012-000	BEARING	1				
133		224042-000	LOWER ARM	1				
134		053014-000	BEARING FLANGE	1				
135		028935-001	SET SCREW	1				
136		021202-003	SPRING WASHER	1				
137		022101-001	NUT	1				
138		290077-000	ARM PIN	1				
139		053014-000	BEARING FLANGE	1				
140		053014-000	BEARING FLANGE	1				
141		270251-000	CONNECTOR	1				

A:

Interchange
 O : Yes
 X : No
 < : the new part can be substituted for the current.
 > : the current part can be substituted for the new.
 S : Interchangeable as a set.

