



TH	THAILAND
----	----------

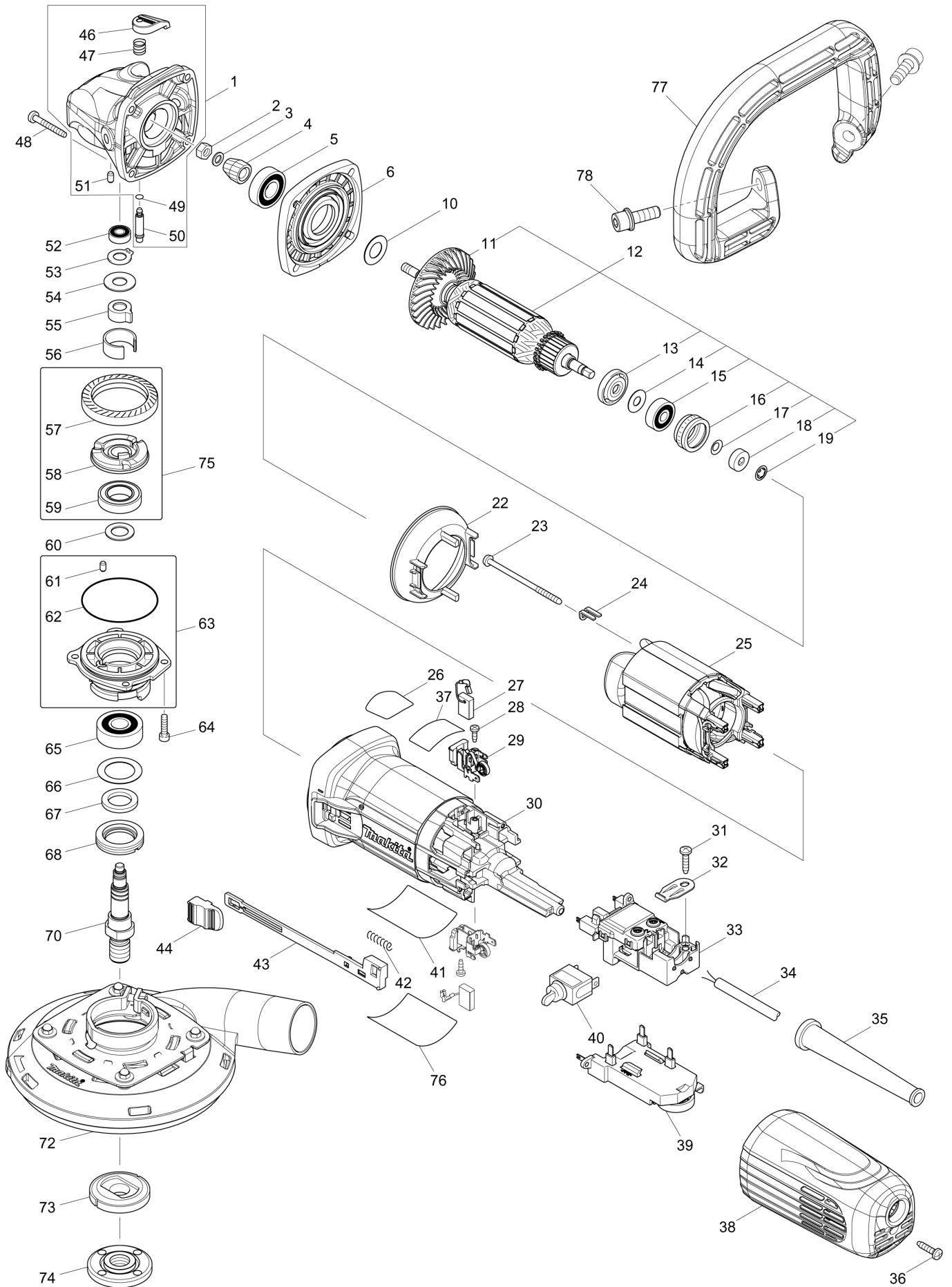
Diagram / Parts List

PC5010C

125MM CONCRETE PLANER



(TH) PC5010C / 125MM CONCRETE PLANER



TH	THAILAND
----	----------

PC5010C / 125MM CONCRETE PLANER

Item	Sub	Parts No.	Parts Description	Qty	I/C	E/C No.	Close No.	Remark
001		136013-6	GEAR HOUSING ASS'Y	1				
	D10		INC. 46,47,49-51					
002		252186-8	HEX. NUT M6	1				
003		253077-6	FLAT WASHER 6	1				
004		227593-4	SPIRAL BEVEL GEAR 9	1				
005		211142-7	BALL BEARING 6001LLB	1				
006		141981-0	GEAR HOUSING COVER COMPLETE	1				
010		253084-9	FLAT WASHER 12	1				
011		240134-9	FAN 60	1				
012		510377-0	ARMATURE ASS'Y 220-240V	1			D9053	
	D10		INC. 11,13-19				D9053	
012-1		510510-4	ARMATURE ASS'Y 220-240V	1	<	D9053		
	D10		INC. 11,13-19			D9053		
013		681656-4	INSULATION WASHER	1				
014		253823-7	FLAT WASHER 7	1				
015		210027-4	BALL BEARING 627DDW	1				
016		421738-8	LABYRINTH RUBBER RING 22	1			D9053	
016-1		422750-1	LABYRINTH RUBBER RING 22	1	<	D9053		
017		267756-0	WAVE WASHER 6	1				
018		688117-5	MAGNET SLEEVE	1				
019		259039-2	SELF LOCK 6	1				
022		453367-9	BUFFLE PLATE	1				
023		266258-3	TAPPING SCREW 4X70	2				
024		344871-8	RETAINER	2				
025		626653-3	FIELD 220-240V	1				
026		898443-6	SJS2 MARK LABEL	1			DR882	
027		194999-0	A.C. CARBON BRUSH SET CB-318	1				
028		266007-8	TAPPING SCREW BIND PT 3X10	2				
029		643770-4	BRUSH HOLDER	2				
030		453366-1	MOTOR HOUSING	1				
031		266326-2	TAPPING SCREW 4X18	1				
032		687169-3	STRAIN RELIEF	1				
033		632K99-9	SWITCH BLOCK	1				
034		691015-4	POWER SUPPLY CORD 0.75-2-2.5	1				
035		682566-8	CORD GUARD 10	1				
036		266326-2	TAPPING SCREW 4X18	1				
037		817M63-5	INDICATION LABEL	1				
038		453365-3	REAR COVER C	1				
039		620736-1	CONTROLLER	1			DH956	
039-1		620G44-2	CONTROLLER	1	<	DH956		
040		651418-4	SWITCH ST115A-40	1			DB412	
040-1		651418-4	SWITCH ST115A-40	1	O	DB412		
041		854S18-5	PC5010C NAME PLATE	1				
042		233071-4	COMPRESSION SPRING 4	1				
043		453847-5	SWITCH LEVER	1				
044		453368-7	SWITCH KNOB	1				
046		453369-5	PIN CAP	1				
047		234057-1	COMPRESSION SPRING 8	1				
048		266361-0	TAPPING SCREW 4X30	4				
049		213032-0	O RING 4	1				
050		256535-1	SHOULDER PIN 6	1				
051		263002-9	RUBBER PIN 4	1				
052		210006-2	BALL BEARING 696ZZ	1				
053		961005-4	RETAINING RING S-9	1				
054		253180-3	FLAT WASHER 10	1				
055		310683-1	JOINT SLEEVE	1				
056		346556-2	C TYPE PLATE	1				
057		227594-2	SPIRAL BEVEL GEAR 41	1				
058		313228-4	COUPLING	1				
059		210302-8	BALL BEARING 6903ZZ	1				
060		253744-3	FLAT WASHER 12	1				
061		263002-9	RUBBER PIN 4	1				
062		213641-5	O RING 51	1				
063		136012-8	BEARING BOX ASSEMBLY	1				
	D10		INC. 61,62					

A:PC5010C(H)

Interchange
O : Yes
X : No
< : the new part can be substituted for the current.
> : the current part can be substituted for the new.
S : Interchangeable as a set.

