



TH	THAILAND
----	----------

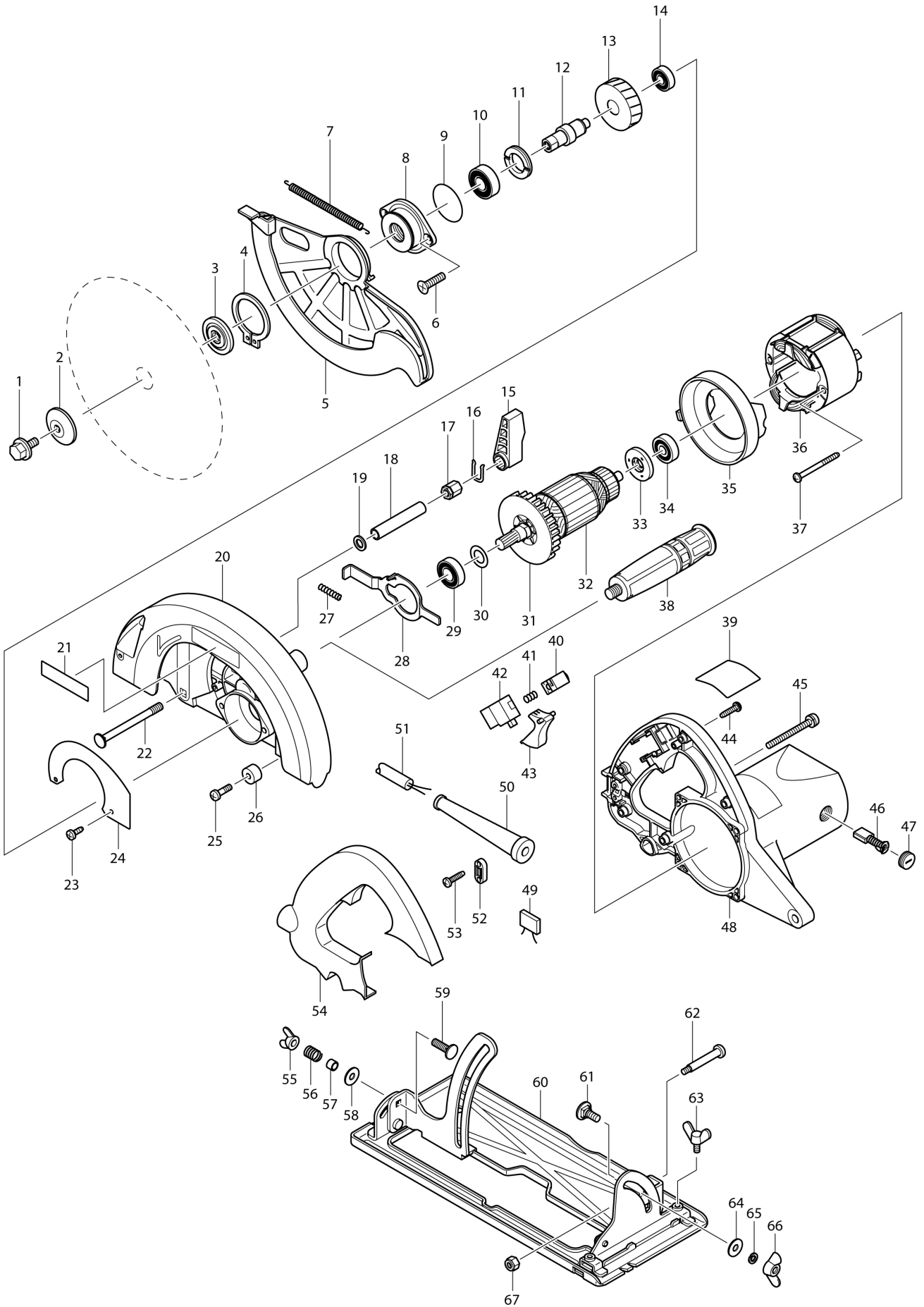
# Diagram / Parts List

**N5900B**

**CIRCULAR SAW 235MM**



(TH) N5900B / CIRCULAR SAW 235MM



TH	THAILAND
----	----------

### N5900B / CIRCULAR SAW 235MM

Item	Sub	Parts No.	Parts Description	Qty	I/C	E/C No.	Close No.	Remark
001		251644-1	HEX. FLANGE HEAD BOLT M8X20	1				
002		224301-4	OUTER FLANGE 42	1				
003		224303-0	INNER FLANGE 42	1				
004		961202-2	RETAINING RING S-45	1				
005		165374-7	SAFETY COVER	1				
006		265031-8	+ COUNTERSUNK HEAD SCREW M6X2	2				
007		231834-2	TENSION SPRING 5	1				
008		317744-8	BEARING BOX	1				
009		213560-5	O RING 44	1				
010		211228-7	BALL BEARING 6202DDW	1			DL192	
010-1		210296-7	BALL BEARING 6202DDW	1	O	DL192		
011		285809-3	BEARING RETAINER 23-36	1				
012		323955-5	SPINDLE	1				
013		226523-2	HELICAL GEAR 39	1				
014		211088-7	BALL BEARING 6000DDW	1			DL192	
014-1		210199-5	BALL BEARING 6000ZZ	1	O	DL192		
015		272230-5	LEVER 54	1				
016		231955-0	RING SPRING 12	1				
017		252134-7	HEX. NUT M8	1				
018		331568-8	PIPE 9	1				
019		941201-0	FLAT WASHER 8	1				
020		183707-4	BLADE CASE SET	1			83580	
	C10	263005-3	RUBBER PIN 6	1			83580	
	D10		INC. 21				83580	
020-1		151847-6	BLADE CASE COMPLETE	1	O	83580		
	C10	263005-3	RUBBER PIN 6	1		83580		
021		819064-1	MAKITA MARK	1			83580	
022		266237-1	CAP SQUARE NECK BOLT M8X90	1				
023		266026-4	TAPPING SCREW BIND CT 4X12	2				
024		344845-9	COVER PLATE	1				
025		251247-1	+ PAN HEAD SCREW M6X20	1				
026		262552-1	RUBBER SLEEVE 6	1				
027		233264-3	COMPRESSION SPRING 5	1				
028		344844-1	SHAFT LOCK	1				
029		211236-8	BALL BEARING 6002DDW	1			DL192	
029-1		210298-3	BALL BEARING 6002DDW	1	O	DL192		
030		267164-5	FLAT WASHER 15	1				
031		240003-4	FAN 80	1				
032		516818-4	ARMATURE ASS'Y 220V	1				
	D10		INC. 29-31,33,34					
033		681630-2	INSULATION WASHER	1				
034		211066-7	BALL BEARING 6200LLB	1			DL192	
034-1		210297-5	BALL BEARING 6200LLB	1	O	DL192		
035		417114-2	BAFFLE PLATE	1				
036		596208-7	FIELD ASS'Y 220V	1				
	C10	654020-2	RING TERMINAL	2				
	C20	654502-4	CONNECTOR P-2	2				
037		266044-2	TAPPING SCREW 5X60	2				
038		152612-6	GRIP 36 COMPLETE	1				
039		850732-7	NAME PLATE N5900B	1				
040		417116-8	LOCK-ON BUTTON	1				
041		233284-7	COMPRESSION SPRING 5	1				
042		651984-1	SWITCH TG71B-2	1				
043		417115-0	SWITCH LEVER	1				
044		265995-6	TAPPING SCREW 4X18	5				
045		911273-9	PAN HEAD SCREW M5X50	4				
046		A-81240	CARBON BRUSH CB-153A	1			83185	
046-1		B-80117	CARBON BRUSH SET CB-153A	1	O	83185	85070	
046-2		B-80329	CARBON BRUSH SET CB-153A	1	<	85070		
047		643650-4	BRUSH HOLDER CAP 6.5-13.5	2			B0305	
047-1		643650-4	BRUSH HOLDER CAP 6.5-13.5	2	O	B0305		
048		151848-4	MOTOR HOUSING COMPLETE	1				
	C10	643660-1	BRUSH HOLDER 6.5-13.5	2			74692	
	C11	643653-8	BRUSH HOLDER 6.5-13.5	2	O	74692		
050		682564-2	CORD GUARD	1				

A:

Interchange  
O : Yes  
X : No  
< : the new part can be substituted for the current.  
> : the current part can be substituted for the new.  
S : Interchangeable as a set.

