



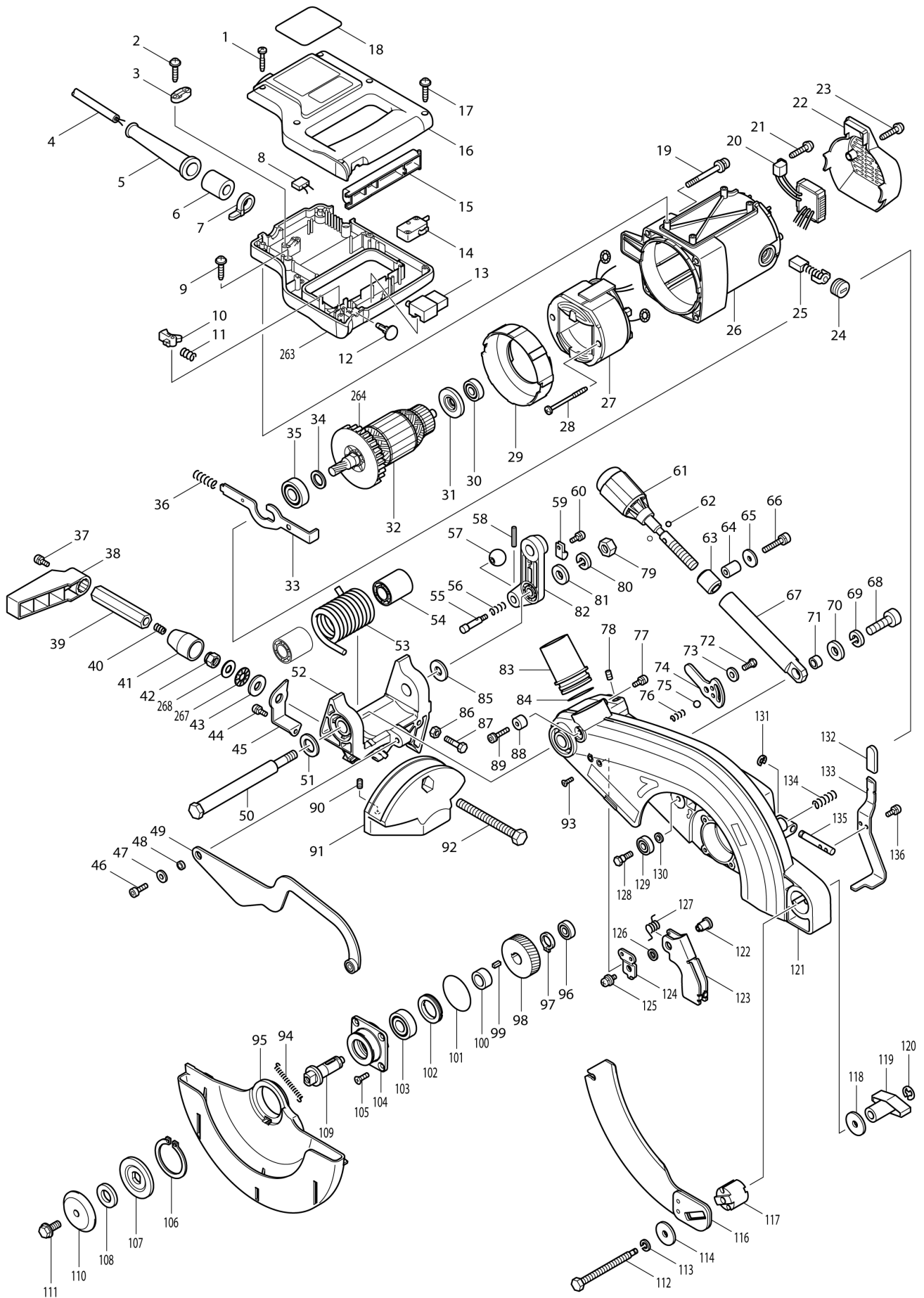
Diagram / Parts List

LF1000

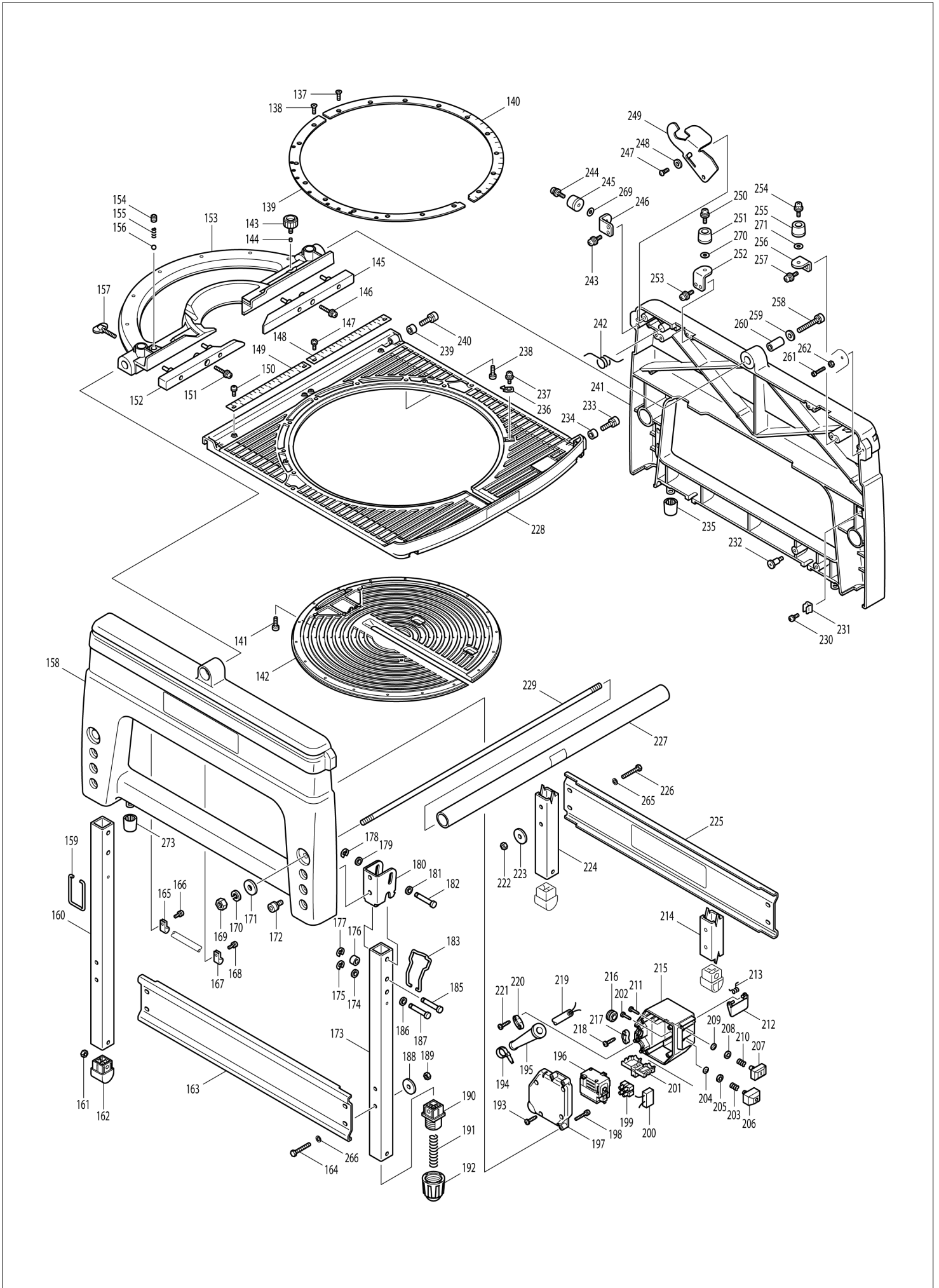
FLIP OVER SAW 260MM



(TH) LF1000 / FLIP OVER SAW 260MM



(TH) LF1000 / FLIP OVER SAW 260MM



TH	THAILAND
----	----------

LF1000 / FLIP OVER SAW 260MM

Item	Sub	Parts No.	Parts Description	Qty	I/C	E/C No.	Close No.	Remark
001		265999-8	TAPPING SCREW 4X25	2				
002		265995-6	TAPPING SCREW 4X18	2				
003		687054-0	STRAIN RELIEF	1			A7453	
003-1		687149-9	STRAIN RELIEF	1	O	A7453		
004		662971-5	POWER SUPPLY CORD 1.0-6-1.56	1				
005		682506-6	CORD GUARD 12-90	1				
006		688140-0	LINE FILTER	1				
007		687010-0	BAND	1				
008		645006-7	NOISE SUPPRESSOR	1				
009		265995-6	TAPPING SCREW 4X18	2				
010		416356-5	LOCK-OFF LEVER	1				
011-1		233483-1	COMPRESSION SPRING 4	1				
012		416404-0	SWITCH BUTTON	1			DB964	
012-1		451037-4	SWITCH BUTTON	1	<	DB964		
013		651923-1	SWITCH TG70B	1				
014		651941-9	SWITCH V-15-2A5	1				
015		416357-3	SWITCH LEVER	1			DB964	
015-1		458790-3	SWITCH LEVER	1	<	DB964		
016-1		188063-7	HANDLE SET	1				
	C10	810087-2	CAUTION LABEL	1				
	D10		INC. 263					
017		265995-6	TAPPING SCREW 4X18	4				
018		861365-3	LF1000 NAME PLATE	1				
019		911383-2	PAN HEAD SCREW M6X60	4				
020-1		631947-3	CONTROLLER	1				
021		265995-6	TAPPING SCREW 4X18	1				
022		416362-0	REAR COVER	1				
023		265995-6	TAPPING SCREW 4X18	2				
024		643650-4	BRUSH HOLDER CAP 6.5-13.5	2			B0305	
024-1		643650-4	BRUSH HOLDER CAP 6.5-13.5	2	O	B0305		
025		B-80329	CARBON BRUSH SET CB-153A	1				
026		154569-7	MOTOR HOUSING COMPLETE	1				
	C12	643660-1	BRUSH HOLDER 6.5-13.5	2			A1883	
	C13	643653-8	BRUSH HOLDER 6.5-13.5	2	O	A1883	C3359	
	C14	643536-2	BRUSH HOLDER 6.5X13.5	2	<	C3359	C4537	
	C15	643653-8	BRUSH HOLDER 6.5-13.5	2	O	C4537	C7740	
	C16	643536-2	BRUSH HOLDER 6.5X13.5	2	O	C7740		
	C20	810086-4	CAUTION LABEL	1				
027		596273-6	FIELD ASS'Y 220-240V	1				
	C10	654020-2	RING TERMINAL	2				
	C20	654502-4	CONNECTOR P-2	2				
028		266044-2	TAPPING SCREW 5X60	2				
029		416361-2	BAFFLE PLATE	1				
030		211061-7	BALL BEARING 6000LLB	1				
031		681642-5	INSULATION WASHER	1				
032		516748-9	ARMATURE ASS'Y 220-240V	1				
	D10		INC. 30,31,34,35,264					
033		345574-7	SHAFT LOCK	1				
034-1		267320-7	FLAT WASHER 15	1				
035		211206-7	BALL BEARING 6202LLB	1				
036-1		233467-9	COMPRESSION SPRING 9	1				
037		911113-1	PAN HEAD SCREW M4X10 WITH WR	1				
038		416006-2	LEVER 100	1				
039		252192-3	HEX.NUT M10-17	1				
040-2		231266-3	COMPRESSION SPRING 5	1				
041		331691-9	SPACER	1				
042-1		264005-6	HEX. LOCK NUT M10-17	1				
043		253197-6	FLAT WASHER 10	1				
044		911113-1	PAN HEAD SCREW M4X10 WITH WR	1				
045		816825-0	INDICATION PLATE	1				
046-1		265551-2	HEX. SOCKET HEAD BOLT M6X20	1				
047-1		267325-7	FLAT WASHER 6	1				
048		257270-4	RING 6	1				
049		154573-6	LINK PLATE COMPLETE	1			93221	
049-1		141540-0	LINK PLATE COMPLETE	1	<	93221		

A:LF1000(H)

Interchange
O : Yes
X : No
< : the new part can be substituted for the current.
> : the current part can be substituted for the new.
S : Interchangeable as a set.

TH	THAILAND
----	----------

LF1000 / FLIP OVER SAW 260MM

Item	Sub	Parts No.	Parts Description	Qty	I/C	E/C No.	Close No.	Remark
050		265532-6	HEX.BOLT M10	1				
051-1		267323-1	FLAT WASHER 16	1				
052		154570-2	ARM COMPLETE	1			91289	
	C10	816833-1	BEVEL SCALE LABEL	1			91289	
052-1		141133-3	ARM COMPLETE	1	<	91289		
	C10	816833-1	BEVEL SCALE LABEL	1		91289		
053		231681-1	TORSION SPRING 34	1				
054		416358-1	SLEEVE 17	2				
055		256488-4	PIN 7	1				
056		233429-7	COMPRESSION SPRING 7	1				
057		271601-3	KNOB 20	1				
058		951063-8	SPRING PIN 3-16	1				
059		687049-3	STRAIN RELIEF	1				
060		911113-1	PAN HEAD SCREW M4X10 WITH WR	1				
061		271319-6	KNOB 40	1				
062-1		216030-3	STEEL BALL 6	2				
063		257750-0	SLEEVE 13	1				
064		257748-7	SLEEVE 6	1				
065-1		267313-4	FLAT WASHER 6	1				
066-1		265552-0	HEX. SOCKET HEAD BOLT M6X30	1				
067		331689-6	ADJUST NUT	1				
068		922557-0	HEX. SOCKET HEAD BOLT M10X35	1				
069		942251-8	SPRING WASHER 10	1				
070		941252-3	FLAT WASHER 10	1				
071		257747-9	SLEEVE 10	1				
072		265984-1	HEX.SOCKET BUTTON HEAD BOLT M6	1				
073-1		267326-5	FLAT WASHER 7	1				
074		345553-5	STOPPER PLATE	1				
075		216004-4	STEEL BALL 7.9	1				
076-1		233466-1	COMPRESSION SPRING 6	1				
077		911113-1	PAN HEAD SCREW M4X10 WITH WR	1				
078		266085-8	H.S.SET SCREW(FLAT POINT)M6X10	1				
079		931502-4	HEX. NUT M10	1				
080		942251-8	SPRING WASHER 10	1				
081		941252-3	FLAT WASHER 10	1				
082		317889-2	CONNECTING ROD	1				
083-1		419277-0	DUST NOZZLE	1				
084		213460-9	O RING 35	1				
085		253197-6	FLAT WASHER 10	1				
086		931302-2	HEX. NUT M6	1				
087		921342-8	HEX. BOLT M6X25	1				
088		257746-1	SLEEVE 5	1				
089-1		265550-4	HEX. SOCKET HEAD BOLT M5X20	1				
090		266085-8	H.S.SET SCREW(FLAT POINT)M6X10	2				
091		317887-6	SUB ARM	1				
092		266377-5	BOLT M10	1				
093		912112-6	COUNTERSUNK HEAD SCREW M4X10	2				
094		231836-8	TENSION SPRING 4	1				
095		418922-4	SAFETY COVER	1			93694	
095-1		453711-0	SAFETY COVER	1	<	93694		
096-1		210043-6	BALL BEARING 608LLB	1				
097		961055-9	RETAINING RING S-15	1				
098		226600-0	HELICAL GEAR 46	1				
099		254202-2	KEY 4	1				
100		257266-5	RING 15	1				
101		213623-7	O RING 46	1				
102-1		285846-7	BEARING RETAINER 25-36	1				
103		211206-7	BALL BEARING 6202LLB	1				
104		317888-4	BEARING BOX	1				
105		912222-9	COUNTERSUNK HEAD SCREW M5X16	4				
106		961201-4	RETAINING RING S-42	1				
107		224333-1	FLANGE 53	1				
108-1		257295-8	RING 16	1		90384		
109		324543-1	SPINDLE	1				
110		224400-2	OUTER FLANGE 53	1				

A:LF1000(H)

Interchange
O : Yes
X : No
< : the new part can be substituted for the current.
> : the current part can be substituted for the new.
S : Interchangeable as a set.

TH	THAILAND
----	----------

LF1000 / FLIP OVER SAW 260MM

Item	Sub	Parts No.	Parts Description	Qty	I/C	E/C No.	Close No.	Remark
111		265355-2	HEX. FLANGE HEAD BOLT M8X20	1			93694	
111-1		266762-2	HEX. SOCKET HEAD BOLT M8X22	1	<	93694		
112		265534-2	HEX.BOLT M8X86	1			93694	
112-1		266763-0	HEX. SOCKET HEAD BOLT M8X97	1	<	93694		
113		942201-3	SPRING WASHER 8	1				
114-1		267312-6	FLAT WASHER 8	1				
116		163461-6	RIVING KNIFE	1				
117		331690-1	KNIFE SUPPORT	1				
118-1		267312-6	FLAT WASHER 8	1				
119		252641-0	WING NUT M8	1				
120		961011-9	STOP RING E-4	1				
121		154571-0	BLADE CASE COMPLETE	1				
	C10	268076-5	PIN 6	2				
	C20	817667-5	CAUTION LABEL	1				
	C30	819174-4	MAKITA LOGO LABEL	1				
	C40	951163-4	SPRING PIN 5-20	1				
122-1		324664-9	GUARD SHAFT	1				
123		345554-3	GUARD	1				
124		345558-5	GUARD HOLDER	1				
125		911213-7	PAN HEAD SCREW M5X12	1				
126-1		267327-3	FLAT WASHER 10	1				
127		231675-6	TORSION SPRING 11	1				
128		265533-4	HEX.BOLT M6	1				
129-1		210043-6	BALL BEARING 608LLB	1				
130-1		267313-4	FLAT WASHER 6	1				
131		961012-7	STOP RING E-6	1				
132		421589-9	CAP	1				
133		345552-7	LOCK LEVER	1				
134-1		233467-9	COMPRESSION SPRING 9	1				
135		256855-3	ROD 8	1				
136		911113-1	PAN HEAD SCREW M4X10 WITH WR	2				
137		912112-6	COUNTERSUNK HEAD SCREW M4X10	9				
138		912112-6	COUNTERSUNK HEAD SCREW M4X10	9				
139		345541-2	SLIDE PLATE L	1				
140		345542-0	SLIDE PLATE R	1				
141-1		265551-2	HEX. SOCKET HEAD BOLT M6X20	4				
142		154575-2	TURN TABLE COMPLETE	1			93694	
	C10	256253-1	PIN 5	1			93694	
142-1		141631-7	TURN TABLE COMPLETE	1	<	93694		
	C10	256253-1	PIN 5	1		93694		
143		251815-0	SCREW M6X25	1				
144		268068-4	PIN 5	1				
145		154578-6	SUB FENCE R COMPLETE	1		A3130	93694	
	C10	268076-5	PIN 6	2			93694	
146		911258-5	PAN HEAD SCREW M5X35	1			93694	
147		911113-1	PAN HEAD SCREW M4X10 WITH WR	2				
148		816827-6	SCALE PLATE R	1				
149		816826-8	SCALE PLATE L	1				
150		911113-1	PAN HEAD SCREW M4X10 WITH WR	2				
151		911258-5	PAN HEAD SCREW M5X35	1			93694	
152		154577-8	SUB FENCE L COMPLETE	1		A3130	93694	
	C10	268076-5	PIN 6	2			93694	
153		154576-0	GUIDE FENCE COMPLETE	1			93694	
	C10	256253-1	PIN 5	2			93694	
153-1		141586-6	GUIDE FENCE COMPLETE	1	<	93694	A5711	
	C10	256253-1	PIN 5	2		93694	A5711	
153-2		142820-7	GUIDE FENCE COMPLETE	1	<	A5711		
	C10	256253-1	PIN 5	2		A5711		
154-1		266392-9	H.S.SET SCREW(FLATPOINT)M10X12	1				
155-1		233466-1	COMPRESSION SPRING 6	1				
156		216004-4	STEEL BALL 7.9	1				
157		265710-8	THUMB SCREW M6X33	1				
158-1		188862-7	FRAME SET	1				
	D10		INC. 273					
159		345547-0	HOOK	1				

A:LF1000(H)

Interchange
 O : Yes
 X : No
 < : the new part can be substituted for the current.
 > : the current part can be substituted for the new.
 S : Interchangeable as a set.

TH	THAILAND
----	----------

LF1000 / FLIP OVER SAW 260MM

Item	Sub	Parts No.	Parts Description	Qty	I/C	E/C No.	Close No.	Remark
160		331687-0	SQUARE PIPE 32-510	1				
161		931302-2	HEX. NUT M6	3				
162		418927-4	FOOT	3				
163		154592-2	SUPPORT BRACKET COMPLETE	1				
	C10	816831-5	INDICATION LABEL	1				
164		921367-2	HEX. BOLT M6X45	4				
165		687049-3	STRAIN RELIEF	1				
166		911113-1	PAN HEAD SCREW M4X10 WITH WR	1				
167		687049-3	STRAIN RELIEF	1				
168		911113-1	PAN HEAD SCREW M4X10 WITH WR	1				
169		931502-4	HEX. NUT M10	4				
170		942251-8	SPRING WASHER 10	4				
171-1		267328-1	FLAT WASHER 10	4				
172-1		265553-8	HEX. SOCKET HEAD BOLT M8X20	8				
173		331686-2	SQUARE PIPE 32-475	1				
174-1		267321-5	FLAT WASHER 8	2				
175		961012-7	STOP RING E-6	2				
176		257749-5	SLEEVE 8	4				
177		961012-7	STOP RING E-6	4				
178		961012-7	STOP RING E-6	4				
179-1		267321-5	FLAT WASHER 8	4				
180		345543-8	BRACKET	4				
181-1		267321-5	FLAT WASHER 8	4				
182		268127-4	PIN 8	4				
183		345548-8	STOPPER HOOK	2				
185		268127-4	PIN 8	4				
186-1		267321-5	FLAT WASHER 8	2				
187		268141-0	PIN 8	2				
188-1		267312-6	FLAT WASHER 8	4				
189		931302-2	HEX. NUT M6	4				
190		418925-8	FOOT BOLT	1				
191-1		233468-7	COMPRESSION SPRING 13	1				
192		418926-6	FOOT NUT	1				
193		265995-6	TAPPING SCREW 4X18	4				
194		687209-7	BAND	1				
195		682505-8	CORD GUARD 10-90	1				
196		652772-9	RELAY 305.232.01	1			DF361	
196-1		652772-9	RELAY 305.232.01	1	O	DF361		
197		418924-0	SWITCH BOX COVER	1				
198		911148-2	PAN HEAD SCREW M4X25	3				
199		654561-8	TERMINAL BLOCK	1				
200		645206-9	NOISE SUPPRESSOR	1				
201		686035-1	RECEPTACLE SLEEVE	5				
202		418618-7	PIN	1				
203-1		233464-5	COMPRESSION SPRING 8	1				
204		443103-1	FELT RING 6	1				
205-1		267322-3	FLAT WASHER 7	1				
206		418617-9	SWITCH BUTTON OFF	1				
207		418616-1	SWITCH BUTTON ON	1				
208-1		267322-3	FLAT WASHER 7	1				
209		443103-1	FELT RING 6	1				
210-1		233464-5	COMPRESSION SPRING 8	1				
211		418618-7	PIN	1				
212		418929-0	SWITCH COVER	1				
213		231682-9	TORSION SPRING 5	1				
214		331686-2	SQUARE PIPE 32-475	1				
215		418923-2	SWITCH BOX	1				
216		682511-3	GROMMET	1			C3150	
216-1		682103-8	GROMMET	1	<	C3150		
217		687054-0	STRAIN RELIEF	1			A7453	
217-1		687149-9	STRAIN RELIEF	1	O	A7453		
218		265995-6	TAPPING SCREW 4X18	2				
219		691015-4	POWER SUPPLY CORD 0.75-2-2.5	1				
220		687053-2	STRAIN RELIEF	1			A7453	
220-1		687140-7	STRAIN RELIEF	1	O	A7453		

A:LF1000(H)

Interchange
O : Yes
X : No
< : the new part can be substituted for the current.
> : the current part can be substituted for the new.
S : Interchangeable as a set.

TH	THAILAND
-----------	-----------------

LF1000 / FLIP OVER SAW 260MM

Item	Sub	Parts No.	Parts Description	Qty	I/C	E/C No.	Close No.	Remark
221		265995-6	TAPPING SCREW 4X18	2				
222		931302-2	HEX. NUT M6	4				
223-1		267312-6	FLAT WASHER 8	4				
224		331686-2	SQUARE PIPE 32-475	1				
225		345546-2	SUPPORT BRACKET	1				
226		921367-2	HEX. BOLT M6X45	4				
227		154593-0	PIPE 32 COMPLETE	2				
	C10	819212-2	MAKITA LOGO LABEL	2				
228		154572-8	TABLE COMPLETE	1				
	C10	810086-4	CAUTION LABEL	1				
	C20	810965-6	CAUTION LABEL	1				
229		266360-2	SCREW M10	2				
230		911113-1	PAN HEAD SCREW M4X10 WITH WR	1			93694	
231		232075-3	LEAF SPRING	1			93694	
231-1		410047-0	WRENCH HOLDER 5.6	1	X	93694		
232-1		266391-1	SHOULDER SCREW M6	2				
233-1		265554-6	HEX. SOCKET HEAD BOLT M8X25	1				
234		257749-5	SLEEVE 8	1				
235		418931-3	CAP	2				
236-1		816856-9	INDICATION PLATE	1				
237		911108-4	PAN HEAD SCREW M4X8	1				
238-1		265551-2	HEX. SOCKET HEAD BOLT M6X20	9				
239		257749-5	SLEEVE 8	1				
240-1		265554-6	HEX. SOCKET HEAD BOLT M8X25	1				
241-1		188862-7	FRAME SET	1				
	D10		INC. 235					
242		231680-3	TORSION SPRING 17	1				
243		911333-7	PAN HEAD SCREW M6X20	4				
244		911333-7	PAN HEAD SCREW M6X20	2				
245		421906-3	CUSHION	2				
246		345550-1	STOPPER BRACKET R	2				
247		265984-1	HEX.SOCKET BUTTON HEAD BOLT M6	2				
248-1		267326-5	FLAT WASHER 7	2				
249		345551-9	LEVER	1				
250		911333-7	PAN HEAD SCREW M6X20	2				
251		421906-3	CUSHION	2				
252		345550-1	STOPPER BRACKET R	2				
253		911333-7	PAN HEAD SCREW M6X20	4				
254		911333-7	PAN HEAD SCREW M6X20	2				
255		421906-3	CUSHION	2				
256		345549-6	STOPPER BRACKET F	2				
257		911333-7	PAN HEAD SCREW M6X20	4				
258-1		265555-4	HEX. SOCKET HEAD BOLT M8X50	2				
259-1		267399-8	FLAT WASHER 8	2				
260		257751-8	SLEEVE 8	2				
261-1		265549-9	HEX. SOCKET HEAD BOLT M4X20	1				
262		931103-8	HEX. NUT M4	1			A7302	
262-1		931102-0	HEX. NUT M4	1	O	A7302		
263-1		188063-7	HANDLE SET	1				
	C10	810087-2	CAUTION LABEL	1				
	D10		INC. 16					
264		240003-4	FAN 80	1				
265		941152-7	FLAT WASHER 6	4				
266		941152-7	FLAT WASHER 6	4				
267		216413-7	THRUST NEEDLE CAGE 1024	1				
268		253024-7	FLAT WASHER 10	1				
269-1		267319-2	FLAT WASHER 6	2				
271-1		267319-2	FLAT WASHER 6	3				
272-1		267319-2	FLAT WASHER 6	3				
273		418931-3	CAP	2				
A01-1		122729-9	RULER ASS'Y	1				
	C10	251858-2	DIAL SCREW M6X15	1				
	C20	265730-2	THUMB SCREW M6X35	1				
	C30	266085-8	H.S.SET SCREW(FLAT POINT)M6X10	1				
	C40	345692-1	GUIDE PLATE	1				

A:LF1000(H)

Interchange
O : Yes
X : No
< : the new part can be substituted for the current.
> : the current part can be substituted for the new.
S : Interchangeable as a set.

