



TH	THAILAND
----	----------

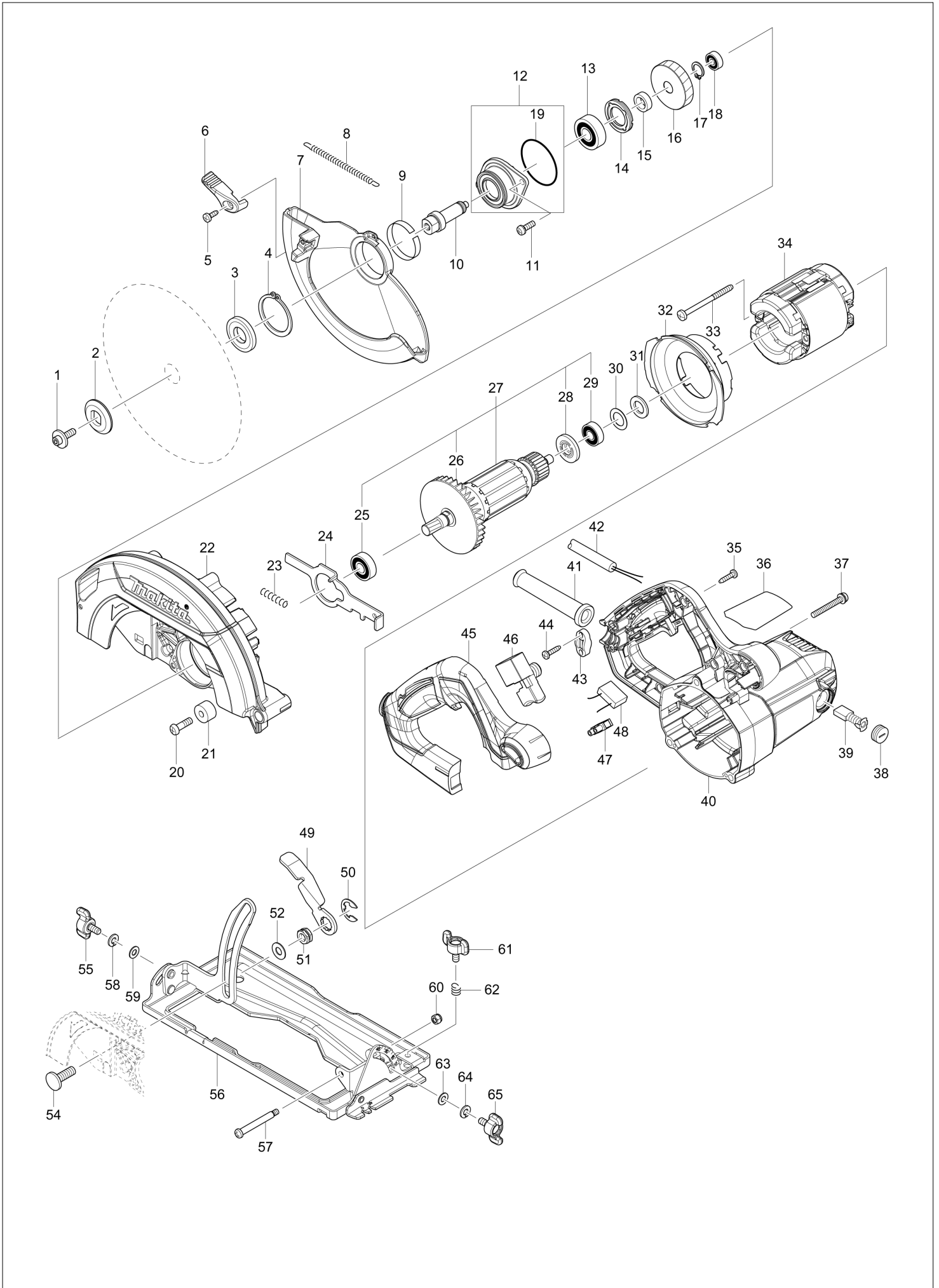
Diagram / Parts List

HS7010

185/190MM CIRCULAR SAW



(TH) HS7010 / 185/190MM CIRCULAR SAW



TH	THAILAND
----	----------

HS7010 / 185/190MM CIRCULAR SAW

Item	Sub	Parts No.	Parts Description	Qty	I/C	E/C No.	Close No.	Remark
001		266024-8	HEX. SOCKET HEAD BOLT M6X20	1				
002		224409-4	OUTER FLANGE 35	1				
003		224593-5	INNER FLANGE 35	1				
004		961155-5	RETAINING RING S-38	1				
005		266034-5	TAPPING SCREW CT 4X16	1				
006		345931-9	LEVER PLATE	1				
007		319188-8	SAFETY COVER	1			DJ477	
007-1		312E14-0	SAFETY COVER	1	O	DJ477		
008		231887-1	TENSION SPRING 4	1				
009		345391-5	THICKNESS RING	1				
010		326444-9	SPINDLE	1				
011		911226-8	PAN HEAD SCREW M5X18	2				
012		135947-0	BEARING BOX ASSEMBLY	1				
	D10		INC. 19					
013		211129-9	BALL BEARING 6201DDW	1				
014		285852-2	BEARING RETAINER 19-33	1				
015		257173-2	RING 12	1				
016		221575-8	HELICAL GEAR 43	1				
017		961052-5	RETAINING RING (EXT) S-12	1				
018		210028-2	BALL BEARING 606ZZ	1				
019		213560-5	O RING 44	1				
020		265117-8	+PAN HEAD SCREW M6X20	1				
021		262556-3	RUBBER SLEEVE 6	1				
022		144729-9	BLADE CASE COMPLETE	1				
	C10	213415-4	O RING 28	1				
023		233117-6	COMPRESSION SPRING 6	1				
024		347284-2	SHAFT LOCK	1				
025		211131-2	BALL BEARING 6001DDW	1				
026		241876-8	FAN 76	1				
027		515433-1	ARMATURE ASSEMBLY 220V	1				
	D10		INC. 25,26,28,29					
028		681644-1	INSULATION WASHER	1				
029		210005-4	BALL BEARING 608DDW	1				
030		253192-6	FLAT WASHER 14	1				
031		261109-5	RUBBER WASHER 13	1				
032		458033-3	BAFFLE PLATE	1				
033		266352-1	TAPPING SCREW 5X65	2				
034		594679-2	FIELD ASSY 220-240V	1				
	C10	654020-2	RING TERMINAL	2				
	C20	654501-6	CONNECTOR P-1.25	2			DE676	
	C21	654485-8	PARALLEL SPLICE	2	O	DE676		
	C30	689055-4	RING TERMINAL RETAINER 15.5	2				
035		266326-2	TAPPING SCREW 4X18	5				
036		854A47-0	HS7010 NAME PLATE	1				
037		265104-7	PAN HEAD SCREW M5X40	3				
038		643750-0	BRUSH HOLDER CAP 7-11	2				
039		B-80379	CARBON BRUSH SET CB-303A	1				
040		144728-1	MOTOR HOUSING COMPLETE	1				
	C10	643708-9	BRUSH HOLDER 5-11	2				
041		682574-9	CORD GUARD 10-90	1				
042		691015-4	POWER SUPPLY CORD 0.75-2-2.5	1				
043		687140-7	STRAIN RELIEF	1				
044		266326-2	TAPPING SCREW 4X18	2				
045		458032-5	HANDLE COVER	1				
046		651284-9	SWITCH SGEL115CDY-6	1				
049		346311-2	LEVER PLATE	1				
050		257953-6	BOW STOP RING E-12	1				
051		252199-9	HEX. NUT M8-13	1				
052		941201-0	FLAT WASHER 8	1				
054		266396-1	FLATHEAD SQUARENECKBOLT M8X24	1				
055		265754-8	THUMB SCREW M6X12	1				
056		161773-1	BASE	1				
057		265118-6	+ PAN HEAD SCREW M5	1				
058		942151-2	SPRING WASHER 6	1			C3118	
058-1		253428-3	SPRING WASHER 6	1	O	C3118	D1189	

A:HS7010(H)

Interchange
O : Yes
X : No
< : the new part can be substituted for the current.
> : the current part can be substituted for the new.
S : Interchangeable as a set.

