



TH	THAILAND
----	----------

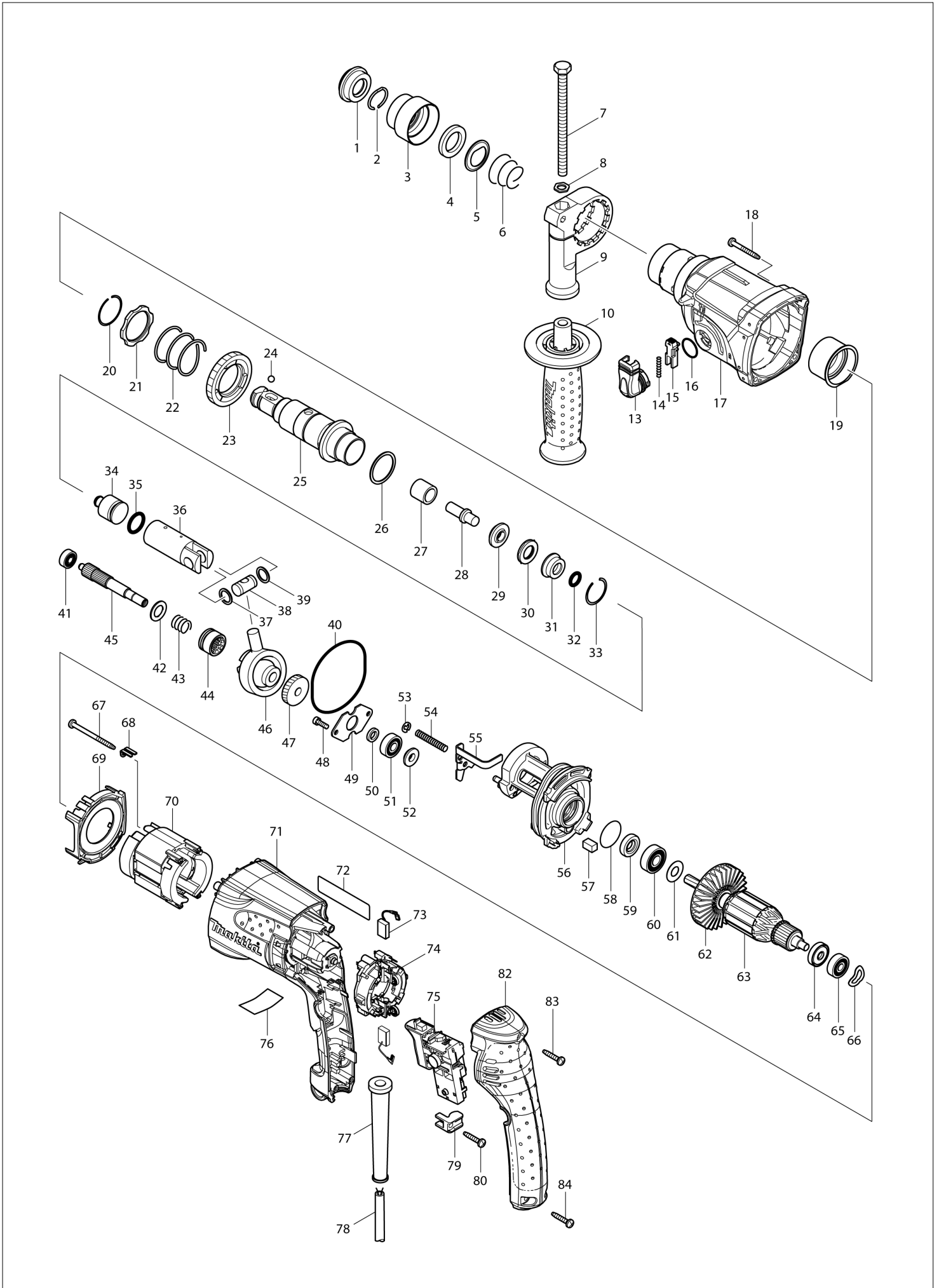
Diagram / Parts List

HR2230

ROTARY HAMMER 22MM



(TH) HR2230 / ROTARY HAMMER 22MM



TH	THAILAND
----	----------

HR2230 / ROTARY HAMMER 22MM

Item	Sub	Parts No.	Parts Description	Qty	I/C	E/C No.	Close No.	Remark
001		286263-4	CAP 35	1				
002		233940-9	RING SPRING 19	1				
003		417629-9	CHUCK COVER	1				
004		257241-1	RING 21	1				
005		345187-4	GUIDE WASHER	1				
006		233916-6	CONICAL COMP. SPRING 21-29	1				
007		921923-8	HEX. BOLT M8X120	1				
008		345280-4	HEX. WASHER	1				
009		417630-4	GRIP BASE	1				
010		158057-6	GRIP 36 COMPLETE	1				
	C10	931402-8	HEX. NUT M8	1				
013		162244-1	CHANGE LEVER	1				
014		233459-8	COMPRESSION SPRING 3	1				
015		419192-8	LOCK BUTTON	1				
016		213278-8	O RING 17	1				
017		158305-3	GEAR HOUSING COMPLETE	1				
	C10	213965-9	OIL SEAL 25	1			86156	
	C11	213345-9	OIL SEAL 25	1	O	86156		
018		266351-3	TAPPING SCREW 4X35	4				
019		153290-5	NEEDLE BEARING COMPLETE	1				
020		233918-2	RING SPRING 28	1				
021		267805-3	WASHER 30	1				
022		233328-3	COMPRESSION SPRING 31	1				
023		227019-6	SPUR GEAR 51	1				
024		216022-2	STEEL BALL 7.0	1				
025		158306-1	TOOL HOLDER COMPLETE	1			79476	
025-1		158575-4	TOOL HOLDER COMPLETE	1	<	79476		
026		267229-3	FLAT WASHER 28	1				
027		331769-8	SLEEVE 9	1				
028		324669-9	IMPACT BOLT	1				
029		324402-9	RING 10	1				
030		421955-0	CUSHION RING 13	1				
031		324216-6	O RING CASE	1				
032		213073-6	O RING 9	1				
033		233917-4	RING SPRING 28	1				
034		324214-0	STRIKER	1				
035		213227-5	O RING 16	1				
036		317517-9	PISTON CYLINDER	1				
037		267104-3	FLAT WASHER 12	1				
038		324215-8	PISTON JOINT	1				
039		267104-3	FLAT WASHER 12	1				
040		213727-5	O-RING 63	1				
041		211012-0	BALL BEARING 606ZZ	1			A3132	
041-1		210028-2	BALL BEARING 606ZZ	1	O	A3132		
042		267212-0	FLAT WASHER 12	1				
043		233347-9	COMPRESSION SPRING 12	1				
044		331734-7	CLUTCH CAM	1				
045		227182-5	SPUR GEAR 10	1				
046		219014-0	SWASH BEARING 10	1				
047		226656-3	HELICAL GEAR 26	1				
048		266273-7	HEX. SOCKET HEAD BOLT M4X12	2				
049		345179-3	BEARING RETAINER	1				
050		267234-0	FLAT WASHER 8	1				
051		211032-4	BALL BEARING 608ZZ	1			A3132	
051-1		210029-0	BALL BEARING 608ZZ	1	O	A3132		
052		324212-4	RING 8	1				
053		961011-9	STOP RING E-4	1				
054		233388-5	COMPRESSION SPRING 5	1				
055		345770-7	CHANGE PLATE	1			82364	
055-1		346035-0	CHANGE PLATE	1	<	82364		
056		158308-7	INNER HOUSING COMPLETE	1			93459	
056-1		141575-1	INNER HOUSING COMPLETE	1	S	93459		
057		443126-9	FELT	1			93459	
058		213407-3	O RING 26	1				
059		213077-8	OIL SEAL 10	1			DR827	

A:HR2230(H)

Interchange
O : Yes
X : No
< : the new part can be substituted for the current.
> : the current part can be substituted for the new.
S : Interchangeable as a set.

