



TH	THAILAND
----	----------

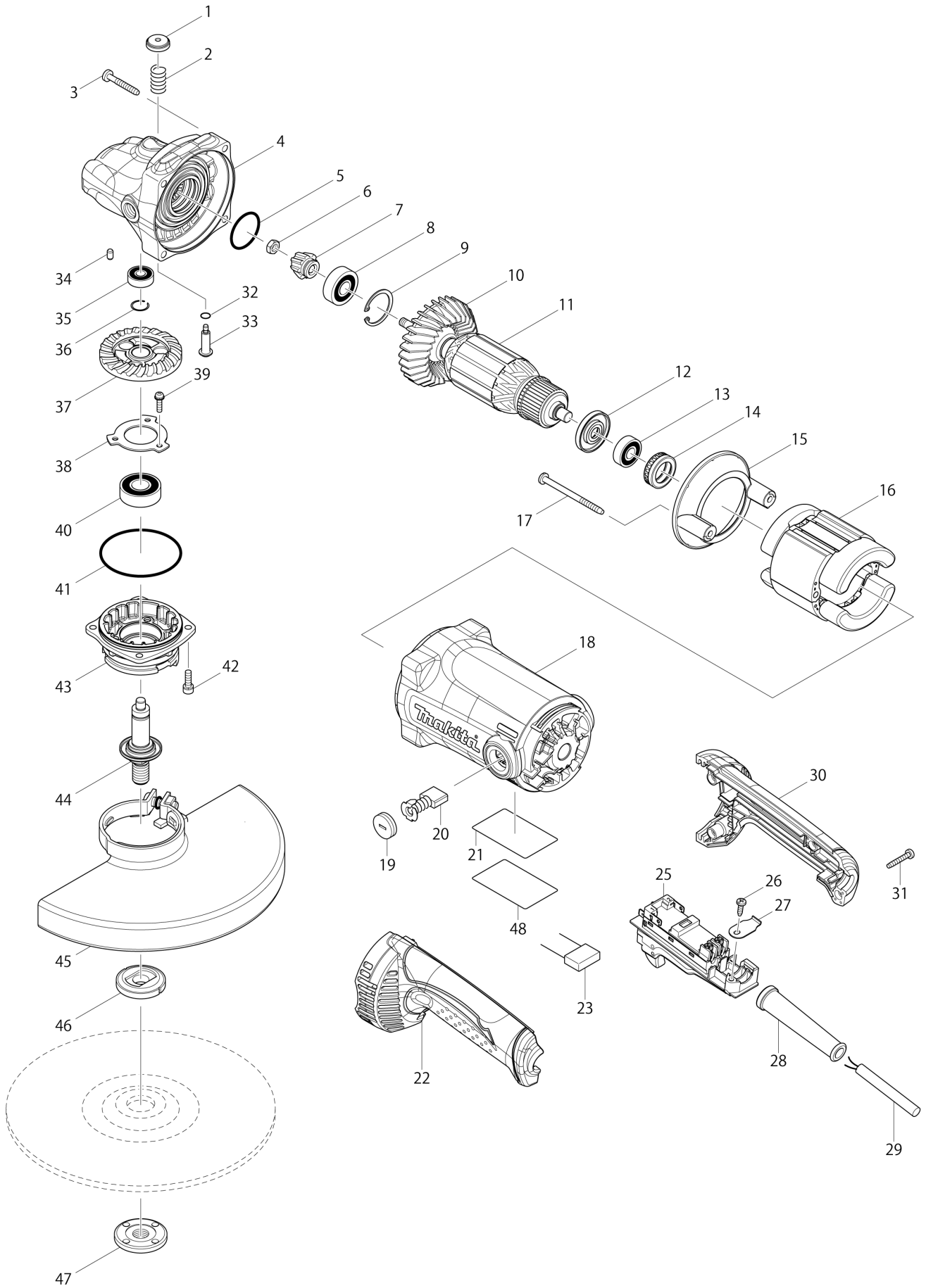
Diagram / Parts List

GA9050

230MM ANGLE GRINDER



(TH) GA9050 / 230MM ANGLE GRINDER



TH	THAILAND
----	----------

GA9050 / 230MM ANGLE GRINDER

Item	Sub	Parts No.	Parts Description	Qty	I/C	E/C No.	Close No.	Remark
001		451485-7	PIN CAP	1				
002		233292-8	COMPRESSION SPRING 12	1				
003		266373-3	TAPPING SCREW 5X35	4				
004		140223-9	GEAR HOUSING COMPLETE	1			A5294	
	C10	262153-5	FELT RING 16	1			A5294	
004-1		143016-3	GEAR HOUSING COMPLETE	1	<	A5294		
	C10	262153-5	FELT RING 16	1		A5294		
005		213487-9	O RING 31	1				
006		264010-3	HEX.NUT M7	1				
007		227563-3	SPIRAL BEVEL GEAR 10B	1				
008		211129-9	BALL BEARING 6201DDW	1			89086	
008-1		211137-0	BALL BEARING 6201LLU	1	<	89086		
009		257965-9	RETAINING RING (INT) R-32	1				
010		240120-0	FAN 80	1				
011		517853-5	ARMATURE ASSEMBLY 220V	1				
	D10		INC. 10,12,13					
012		681657-2	INSULATION WASHER	1				
013		210059-1	BALL BEARING 6000DDW	1				
014		421490-8	RUBBER RING 26	1				
015		451480-7	BAFFLE PLATE	1				
016		523413-3	FIELD ASSEMBLY 220V	1				
	C10	654098-5	RECEPTACLE	2			DM647	
	C11	654891-7	RECEPTACLE	2	O	DM647		
017		266389-8	TAPPING SCREW 5X70	2			92939	
017-1		266038-7	TAPPING SCREW 5X70	2	O	92939		
018		140222-1	MOTOR HOUSING COMPLETE	1				
	C10	643707-1	BRUSH HOLDER	2				
019		643700-5	BRUSH HOLDER CAP 7-18	2				
020		B-80357	CARBON BRUSH SET CB-204A	1				
021		867561-1	GA9050 NAME PLATE	1				
022		188848-1	HANDLE SET	1				
	C10	423404-3	SPONGE SHEET	1				
	D10		INC. 30					
025		650101-0	SWITCH TG08-1100-011	1				
026		266385-6	TAPPING SCREW 4X14	1				
027		687169-3	STRAIN RELIEF	1				
028		682574-9	CORD GUARD 10-90	1				
029		691015-4	POWER SUPPLY CORD 0.75-2-2.5	1				
030		188848-1	HANDLE SET	1				
	C10	423404-3	SPONGE SHEET	1				
	D10		INC. 22					
031		266374-1	TAPPING SCREW 4X25	4				
032		213026-5	O RING 7	1				
033		256516-5	SHOULDER PIN 11	1				
034		263002-9	RUBBER PIN 4	1				
035		210029-0	BALL BEARING 608ZZ	1				
036		233925-5	RING SPRING 13	1				
037		227561-7	SPIRAL BEVEL GEAR 49	1				
038		285851-4	BEARING RETAINER	1				
039		911128-8	P.H.SCREW M4X16 WITH WR	3				
040		211241-5	BALL BEARING 6202DDW	1			DN512	
040-1		210304-4	BALL BEARING 6202DDW	1	O	DN512		
041		213720-9	O RING 67	1				
042		922221-3	HEX. SOCKET HEAD BOLT M5X16	4				
043		318523-7	BEARING BOX	1				
044		140224-7	SPINDLE COMPLETE A	1				
	C10	346166-5	LABYRINTH RING 23	1				
045		122891-0	WHEEL COVER 230K ASSEMBLY	1				
	C10	213017-6	O RING 6	1				
	C20	265198-2	+PAN HEAD SCREW M8X25	1				
046		224415-9	INNER FLANGE 42	1			B3974	
046-1		224490-5	INNER FLANGE 14-45	1	O	B3974		
047		224543-0	LOCK NUT 14-45	1				
048		819392-4	CLEAR LABEL	1			87802	
048-1		892805-0	CLEAR LABEL	1		90196		

A:GA9050(H)

Interchange
O : Yes
X : No
< : the new part can be substituted for the current.
> : the current part can be substituted for the new.
S : Interchangeable as a set.

