



TH	THAILAND
----	----------

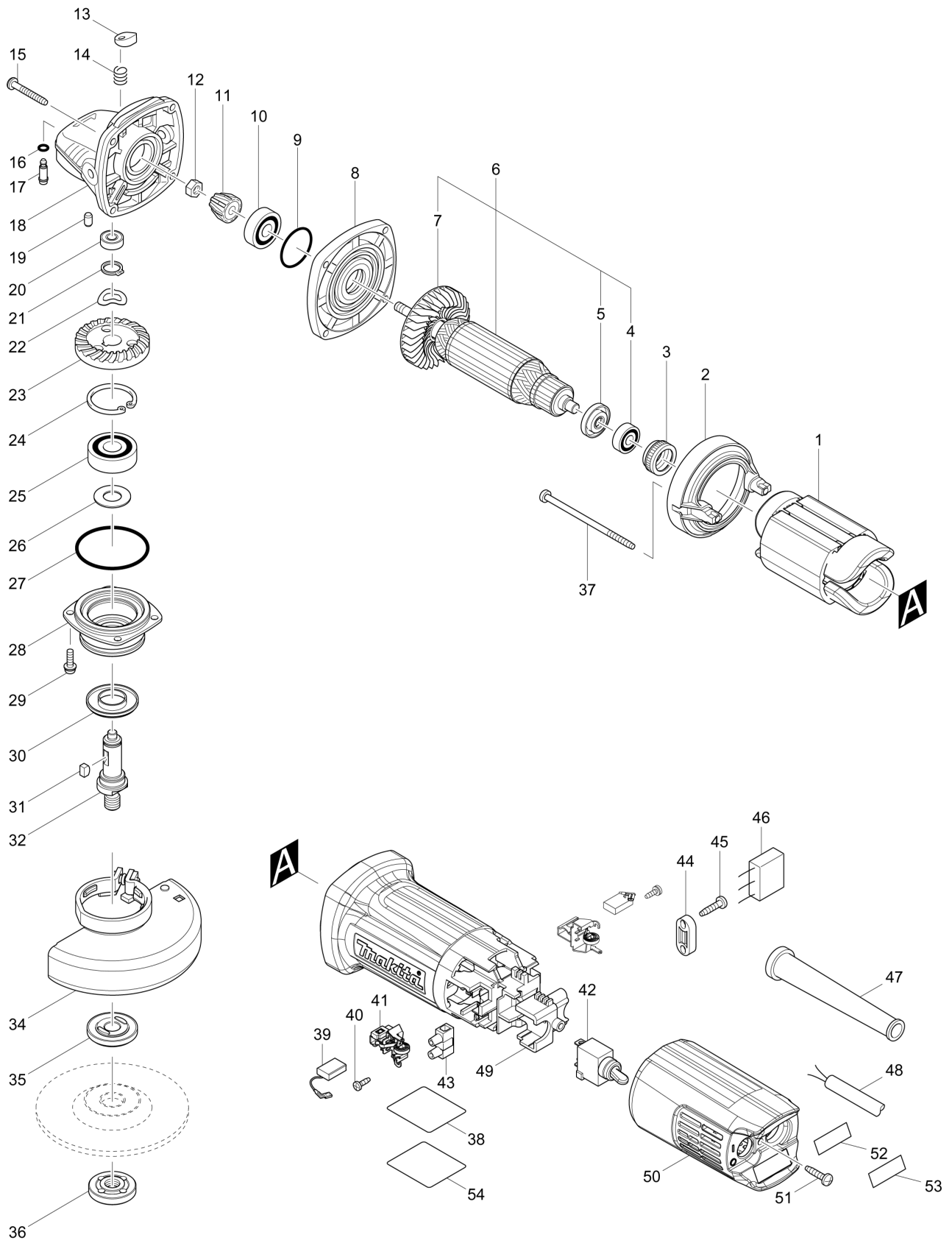
Diagram / Parts List

9556HB

100MM ANGLE GRINDER



(TH) 9556HB / 100MM ANGLE GRINDER



TH	THAILAND
----	----------

9556HB / 100MM ANGLE GRINDER

Item	Sub	Parts No.	Parts Description	Qty	I/C	E/C No.	Close No.	Remark
001		621823-9	FIELD 220-240V	1				
002		418770-1	BAFFLE PLATE	1			B9212	
002-1		457791-8	BAFFLE PLATE	1	<	B9212		
003		421868-5	LABYRINTH RUBBER RING 19	1			DD769	
003-1		422768-2	LABYRINTH RUBBER RING19	1	<	DD769		
004		211021-9	BALL BEARING 607LLB	1				
005		681636-0	INSULATION WASHER	1				
006		510084-5	ARMATURE ASS'Y 220-240V	1				
	D10		INC. 4,5,7					
007		240076-7	FAN 56	1				
008		317821-6	GEAR HOUSING COVER	1				
009		213445-5	O-RING 26	1				
010		210042-8	BALL BEARING 629LLB	1				
011		227541-3	SPIRAL BEVEL GEAR 10	1				
012		252186-8	HEX. NUT M6	1				
013		417771-6	PIN CAP	1				
014		233376-2	COMPRESSION SPRING 8	1				
015		266361-0	TAPPING SCREW 4X30	4			C0991	
015-1		265654-2	TAPPING SCREW 4X30	4	O	C0991		
016		213960-9	O RING 5	1				
017		256546-6	SHOULDER PIN 4	1				
018		318941-9	GEAR HOUSING	1				
019		263002-9	RUBBER PIN 4	1				
020		210006-2	BALL BEARING 696ZZ	1				
021		961052-5	RETAINING RING (EXT) S-12	1				
022		267794-2	WAVE WASHER 12	1				
023		227542-1	SPIRAL BEVEL GEAR 37	1				
024		962151-6	RETAINING RING R-32	1				
025		211129-9	BALL BEARING 6201DDW	1				
026		267238-2	FLAT WASHER 12	1				
027		213622-9	O RING 45	1				
028		318331-6	BEARING BOX	1				
029		265099-4	PAN HEAD SCREW M4X14	4				
030		345464-4	LABYRINTH RING	1				
031		254011-9	WOODRUFF KEY 4	1				
032		324488-3	SPINDLE	1				
034		125885-4	WHEEL COVER 100AK ASS'Y	1			DC806	
	C10	213009-5	O RING 4	1			DC806	
	C20	265180-1	PAN HEAD SCREW M5X16	1			DC806	
034-1		122B50-8	WHEEL COVER 100AK ASSEMBLY	1	<	DC806		
	C10	213009-5	O RING 4	1		DC806		
	C20	265180-1	PAN HEAD SCREW M5X16	1		DC806		
035		224314-5	INNER FLANGE 30	1				
036		224559-5	LOCK NUT 10-30	1				
037		266345-8	TAPPING SCREW 4X80	2			C8288	
037-1		265A28-3	TAPPING SCREW 4X80	2	O	C8288		
038		852U48-2	9556HB NAME PLATE	1				
039		195002-0	CARBON BRUSH SET CB-325/329	1				
040		266007-8	TAPPING SCREW BIND PT 3X10	4				
041		643516-8	BRUSH HOLDER	2				
042		651427-3	SWITCH STL115ADT-D	1			C2203	
042-1		651065-1	SWITCH ST115A-TB-S2	1	O	C2203		
043		654532-5	TERMINAL BLOCK 1P	1				
044		687140-7	STRAIN RELIEF	1			DE694	
044-1		687124-5	STRAIN RELIEF	1	S	DE694		
045		266326-2	TAPPING SCREW 4X18	2			C0991	
045-1		265652-6	TAPPING SCREW 4X18	2	O	C0991		
047		682566-8	CORD GUARD 10	1			DE694	
047-1		682559-5	CORD GUARD 8	1	S	DE694		
048		691015-4	POWER SUPPLY CORD 0.75-2-2.5	1			DE694	
048-1		660503-2	POWER SUPPLY CORD 0.75-2-2.5	1	S	DE694		
049		457158-0	MOTOR HOUSING	1				
050		457204-9	REAR COVER	1				
051		266326-2	TAPPING SCREW 4X18	1			C0991	
051-1		265652-6	TAPPING SCREW 4X18	1	O	C0991		

A:9556HBG(H)

Interchange
O : Yes
X : No
< : the new part can be substituted for the current.
> : the current part can be substituted for the new.
S : Interchangeable as a set.

