



TH	THAILAND
----	----------

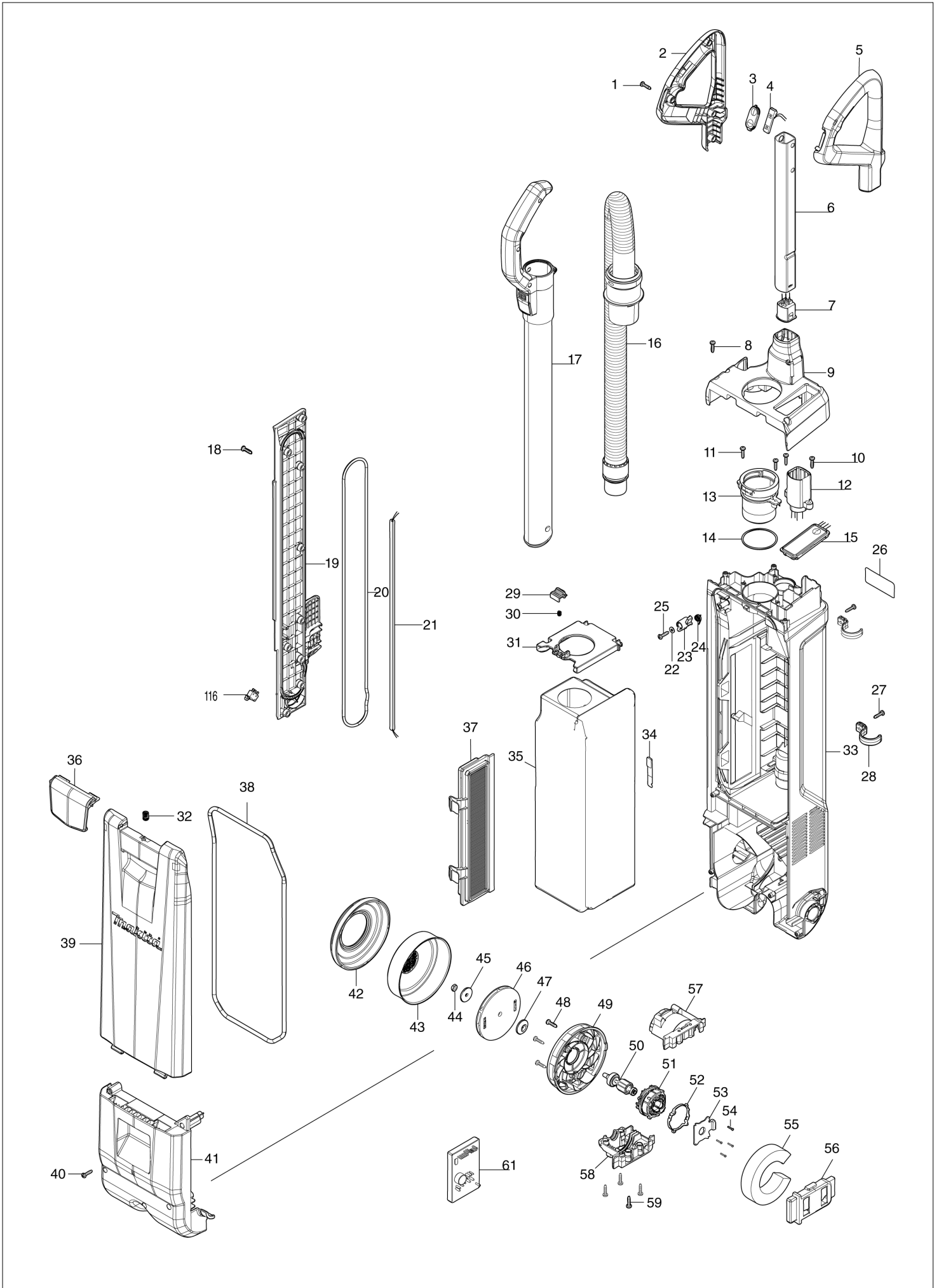
Diagram / Parts List

DVC560

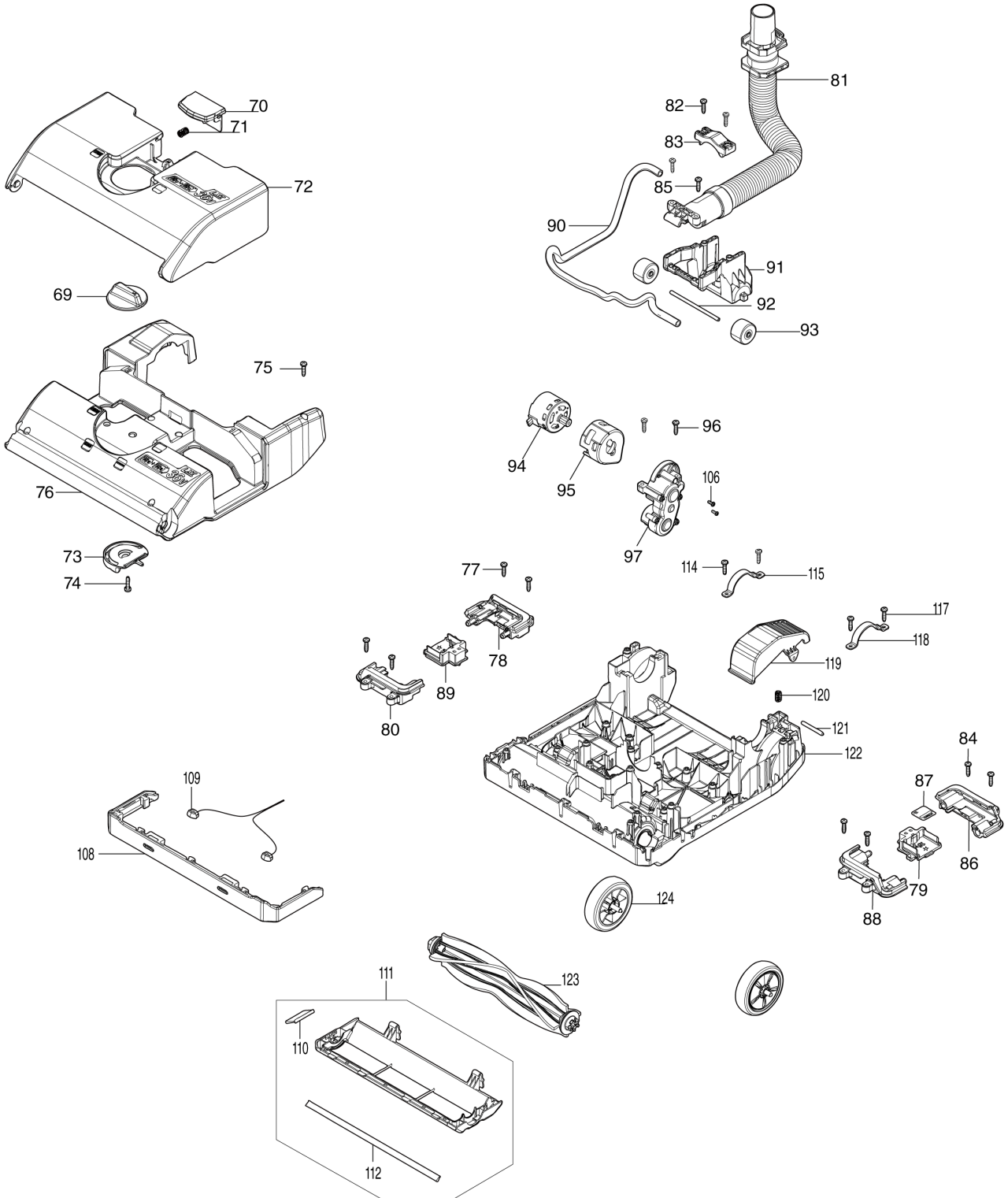
CORDLESS UPRIGHT CLEANER



(TH) DVC560 / CORDLESS UPRIGHT CLEANER



(TH) DVC560 / CORDLESS UPRIGHT CLEANER



TH	THAILAND
----	----------

DVC560 / CORDLESS UPRIGHT CLEANER

Item	Sub	Parts No.	Parts Description	Qty	I/C	E/C No.	Close No.	Remark
001		266326-2	TAPPING SCREW 4X18	4				
002		183R12-7	HANDLE SET	1				
	D10		INC. 5					
003		140S35-4	SWITCH PLATE COMPLETE	1				
	C10	8020C7-1	SWITCH LABEL	1				
004		631973-2	SWITCH UNIT	1				
005		183R12-7	HANDLE SET	1				
	D10		INC. 2					
006		327555-3	PIPE A	1				
007		632R23-4	LEAD UNIT	1				
008		266326-2	TAPPING SCREW 4X18	4				
009		140U72-0	TOP COVER COMPLETE	1				
010		266326-2	TAPPING SCREW 4X18	2				
011		266326-2	TAPPING SCREW 4X18	2				
012		632R22-6	LEAD UNIT	1				
013		412455-1	INLET	1				
014		213663-5	O RING 55	1				
015		140V53-0	INDICATION CIRCUIT COMPLETE	1				
016		140S37-0	HOSE COMPLETE 28-0.7	1			D9304	
016-1		141F95-1	HOSE COMPLETE 28-0.7	1	<	D9304		
017		127522-6	PIPE ASSEMBLY	1				
018		266326-2	TAPPING SCREW 4X18	9				
019		412449-6	SIDE DUST BOX COVER	1				
020		422580-0	SEAL RING B	1				
021		632R24-2	LEAD UNIT	1				
022		941051-3	FLAT WASHER 4	1				
023		412465-8	STOPPER PLATE	1				
024		232627-0	TORSION SPRING 9	1				
025		266326-2	TAPPING SCREW 4X18	1				
026		857N02-9	DVC560 NAME PLATE	1				
027		266326-2	TAPPING SCREW 4X18	2				
028		412444-6	NOZZLE HOLDER	2				
029		412464-0	LOCK LEVER A	1				
030		231309-1	COMPRESSION SPRING 5	1				
031		412463-2	STAY	1				
032		234391-9	COMPRESSION SPRING 8	1				
033		136303-7	DUST BOX ASSEMBLY	1			N15560	
033-1		136605-1	DUST BOX ASSEMBLY	1	<	N15560		
034		140V23-9	VALVE COMPLETE	1				
035		191D63-2	FILTER BAG SET	1			D8278	
035-1		191T96-3	FILTER BAG SET	1	O	D8278		
036		412446-2	LATCH	1				
037		191E39-5	MAIN FILTER H SET	1				
038		422578-7	SEAL RING A	1				
039		412445-4	DUST BOX COVER	1				
040		266326-2	TAPPING SCREW 4X18	7				
041		140S32-0	MOTOR COVER COMPLETE	1				
042		422376-9	SUPPORT RING	1				
043		161804-6	FAN COVER	1				
044		252268-6	HEX. NUT M6	1				
045		322407-3	WASHER 6	1				
046		241851-4	FAN 94	1				
047		313062-2	FLANGE	1				
048		266326-2	TAPPING SCREW 4X18	3				
049		456736-3	FAN BASE	1				
050		619517-8	ROTOR	1			DG943	
050-1		619517-8	ROTOR	1	O	DG943		
051		629A10-0	STATOR	1				
052		687464-1	SUPPORT	1				
053		620526-2	CONTROLLER B	1				
054		266786-8	+ PAN HEAD TAPPING SCREW 2X10	4				
055		422370-1	BAND DAMPER C	1				
056		424837-5	SUPPORT A	1				
057		183D13-1	MOTOR HOUSING SET	1				
	D10		INC. 58					

A:DVC560Z(N)

Interchange
O : Yes
X : No
< : the new part can be substituted for the current.
> : the current part can be substituted for the new.
S : Interchangeable as a set.

TH	THAILAND
-----------	-----------------

DVC560 / CORDLESS UPRIGHT CLEANER

Item	Sub	Parts No.	Parts Description	Qty	I/C	E/C No.	Close No.	Remark
058		183D13-1	MOTOR HOUSING SET	1				
	D10		INC. 57					
059		266326-2	TAPPING SCREW 4X18	4				
061		620D17-7	CONTROLLER	1			D8848	
061-1		620G60-4	CONTROLLER	1	<	D8848		
069		412438-1	HEIGHT CHANGE LEVER	1				
070		412440-4	LOCK LEVER B	1				
071		234332-5	COMPRESSION SPRING 7	1				
072		412437-3	BATTERY COVER	1				
073		412439-9	CAM	1				
074		266326-2	TAPPING SCREW 4X18	1				
075		266326-2	TAPPING SCREW 4X18	8				
076		412420-0	UPPER HOUSING	1				
077		266326-2	TAPPING SCREW 4X18	4				
078		183R14-3	TERMINAL CASE SET	1				
	C10	263005-3	RUBBER PIN 6	2				
	D10		INC. 80					
079		644809-6	TERMINAL	1				
080		183R14-3	TERMINAL CASE SET	1				
	C10	263005-3	RUBBER PIN 6	2				
	D10		INC. 78					
081		140S36-2	HOSE COMPLETE 28-0.2	1			D9304	
081-1		141F94-3	HOSE COMPLETE 28-0.2	1	<	D9304		
082		266326-2	TAPPING SCREW 4X18	2				
083		412435-7	CAM PLATE	1				
084		266326-2	TAPPING SCREW 4X18	4				
085		266326-2	TAPPING SCREW 4X18	2				
086		183R14-3	TERMINAL CASE SET	1				
	C10	263005-3	RUBBER PIN 6	2				
	D10		INC. 88					
087		857N09-5	DVC560 SERIAL NO. LABEL	1				
088		183R14-3	TERMINAL CASE SET	1				
	C10	263005-3	RUBBER PIN 6	2				
	D10		INC. 86					
089		644809-6	TERMINAL	1				
090		422582-6	TUBE	1				
091		412433-1	FRONT ROLLER HOLDER	1				
092		256954-1	FRONT ROLLER SHAFT	1				
093		412434-9	FRONT ROLLER	2				
094		629A11-8	DC MOTOR	1				
095		422583-4	TUBE JOINT	1				
096		266326-2	TAPPING SCREW 4X18	2				
097		122A42-1	BRUSH GEAR ASSEMBLY	1				
106		265199-0	+ PAN HEAD SCREW M3X8	2				
108		422574-5	BUMPER	1				
109		620D19-3	LED CIRCUIT	1				
110		422577-9	SIDE BRUSH	1				
111		127521-8	BOTTOM PLATE ASSEMBLY	1				
	D10		INC. 110,112					
112		422576-1	BRUSH	1				
114		266326-2	TAPPING SCREW 4X18	2				
115		347719-3	HINGE HOLDER	1				
116		632R30-7	SWITCH UNIT	1				
117		266326-2	TAPPING SCREW 4X18	2				
118		347719-3	HINGE HOLDER	1				
119		412454-3	FOOT LEVER	1			DE234	
119-1		413J90-8	FOOT LEVER	1	O	DE234		
120		234339-1	COMPRESSION SPRING 6	1				
121		256965-6	PIN 4	1				
122		140W03-1	LOWER HOUSING COMPLETE	1				
	C10	8020C4-7	CAUTION LABEL	1				
123		191D69-0	BRUSH COMPLETE SET	1			DE373	
	C10	141K74-9	BRUSH METAL HOLDER COMPLETE	1		DD347	DE373	
123-1		1910T8-6	BRUSH COMPLETE SET	1	<	DE373		
	C10	141K74-9	BRUSH METAL HOLDER COMPLETE	1		DE373		

A:DVC560Z(N)

Interchange
O : Yes
X : No
< : the new part can be substituted for the current.
> : the current part can be substituted for the new.
S : Interchangeable as a set.

