



TH	THAILAND
----	----------

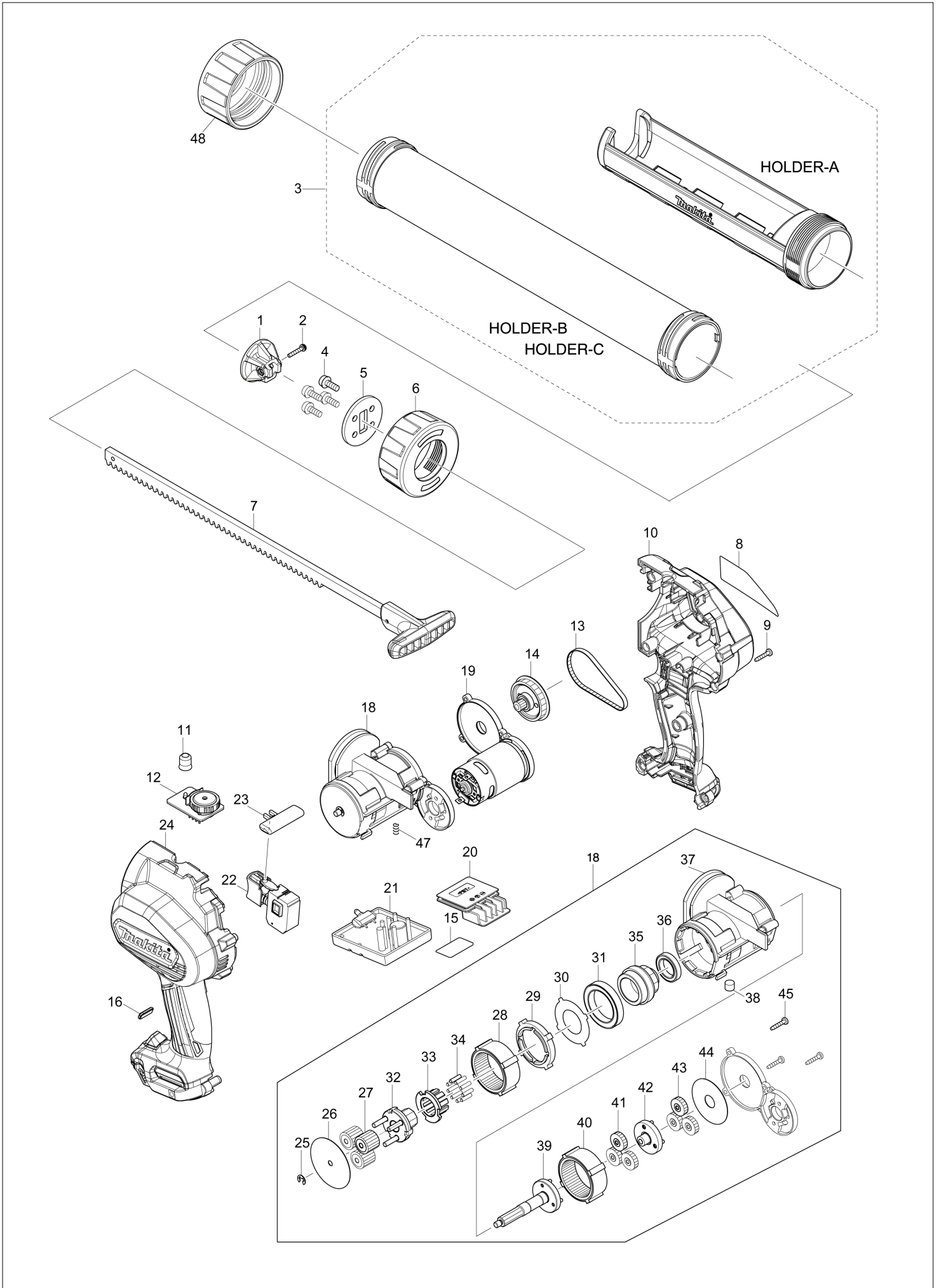
# Diagram / Parts List

**CG100D**

**CORDLESS CAULKING GUN**



(TH) CG100D / CORDLESS CAULKING GUN



<b>TH</b>	<b>THAILAND</b>
-----------	-----------------

### CG100D / CORDLESS CAULKING GUN

Item	Sub	Parts No.	Parts Description	Qty	I/C	E/C No.	Close No.	Remark
001A		142071-2	PISTON A COMPLETE	1				
001B		142072-0	PISTON B COMPLETE	1				
001C		143221-2	PISTON D COMPLETE	1				
001D		142071-2	PISTON A COMPLETE	1				
002		266827-0	PAN HEAD SCREW M3X18 WITH WR	1				
003A		454275-7	HOLDER A	1				
003B		141861-0	HOLDER B COMPLETE	1			DH114	
003C		455951-6	HOLDER C	1				
003D		454275-7	HOLDER A	1				
003-1B		141M10-7	HOLDER B COMPLETE	1	S	DH114		
004		265074-0	PAN HEAD SCREW M5X16	4				
005A		346649-5	PLATE	1				
005B		346649-5	PLATE	1				
005D		346649-5	PLATE	1				
006A		454223-6	HOLDER JOINT A	1				
006B		318958-2	HOLDER JOINT B	1			DH114	
006C		143223-8	HOLDER JOINT C COMPLETE	1				
	C10	231985-1	RING SPRING 43	1				
	C20	326538-0	RETAINER	1				
	C30	455952-4	HOLDER JOINT C	1				
006D		454223-6	HOLDER JOINT A	1				
006-1B		312D41-1	HOLDER JOINT B	1	S	DH114		
007A		142041-1	RACK 42 COMPLETE	1				
007B		142042-9	RACK 64 COMPLETE	1				
007C		143220-4	RACK 53 COMPLETE	1				
007D		142041-1	RACK 42 COMPLETE	1				
008		853S36-0	CG100D NAME PLATE	1				
009		266429-2	TAPPING SCREW 3X16	9			DE715	
009-1		266130-9	TAPPING SCREW BIND PT 3X16	9	O	DE715		
010		183H54-1	HOUSING SET	1				
	C10	252126-6	HEX. LOCK NUT M4-7	2				
	D10		INC. 24					
011		418821-0	LENS	1				
012		620180-2	SUB CONTROLLER	1				
013		225097-0	SYNCHRO BELT 4-176	1				
014		142038-0	SPUR GEAR 9A COMPLETE	1				
015		853S38-6	CG100D SERIAL NO. LABEL	1				
016		454230-9	LENS	1				
018		126253-4	GEAR ASSEMBLY	1				
	D10		INC. 25-45					
019		144863-5	MOTOR COMPLETE	1				
020		644813-5	TERMINAL	1				
021		632K95-7	CONTROLLER UNIT	1				
	C10	620762-0	LED CIRCUIT	1				
022		650632-9	SWITCH	1				
023		451162-1	LOCK LEVER	1				
024		183H54-1	HOUSING SET	1				
	C10	252126-6	HEX. LOCK NUT M4-7	2				
	D10		INC. 10					
025		961011-9	STOP RING E-4	1				
026		267465-1	FLAT WASHER 5	1				
027		227311-0	SPUR GEAR 19B	3				
028		227309-7	INTERNAL GEAR 48	1				
029		144375-8	SPACER COMPLETE	1				
030		346721-3	PLATE 23	1				
031		211294-4	BALL BEARING 6806LLU	1				
032		141860-2	CARRIER A COMPLETE	1				
033		313253-5	CARRIER B	1				
034		256255-7	PIN 3	9				
035		227312-8	SPUR GEAR 10	1				
036		211482-3	BALL BEARING 6803LLU	1				
037		454219-7	GEAR HOUSING	1				
038		313257-7	MAGNET	1				
039		141859-7	SPUR GEAR 9C COMPLETE	1				
040		227309-7	INTERNAL GEAR 48	1				

A:CG100DZA(N)  
 B:CG100DZB(N)  
 C:CG100DZC(N)  
 D:CG100DWAEA(H)

Interchange  
 O : Yes  
 X : No  
 < : the new part can be substituted for the current.  
 > : the current part can be substituted for the new.  
 S : Interchangeable as a set.

