



TH	THAILAND
----	----------

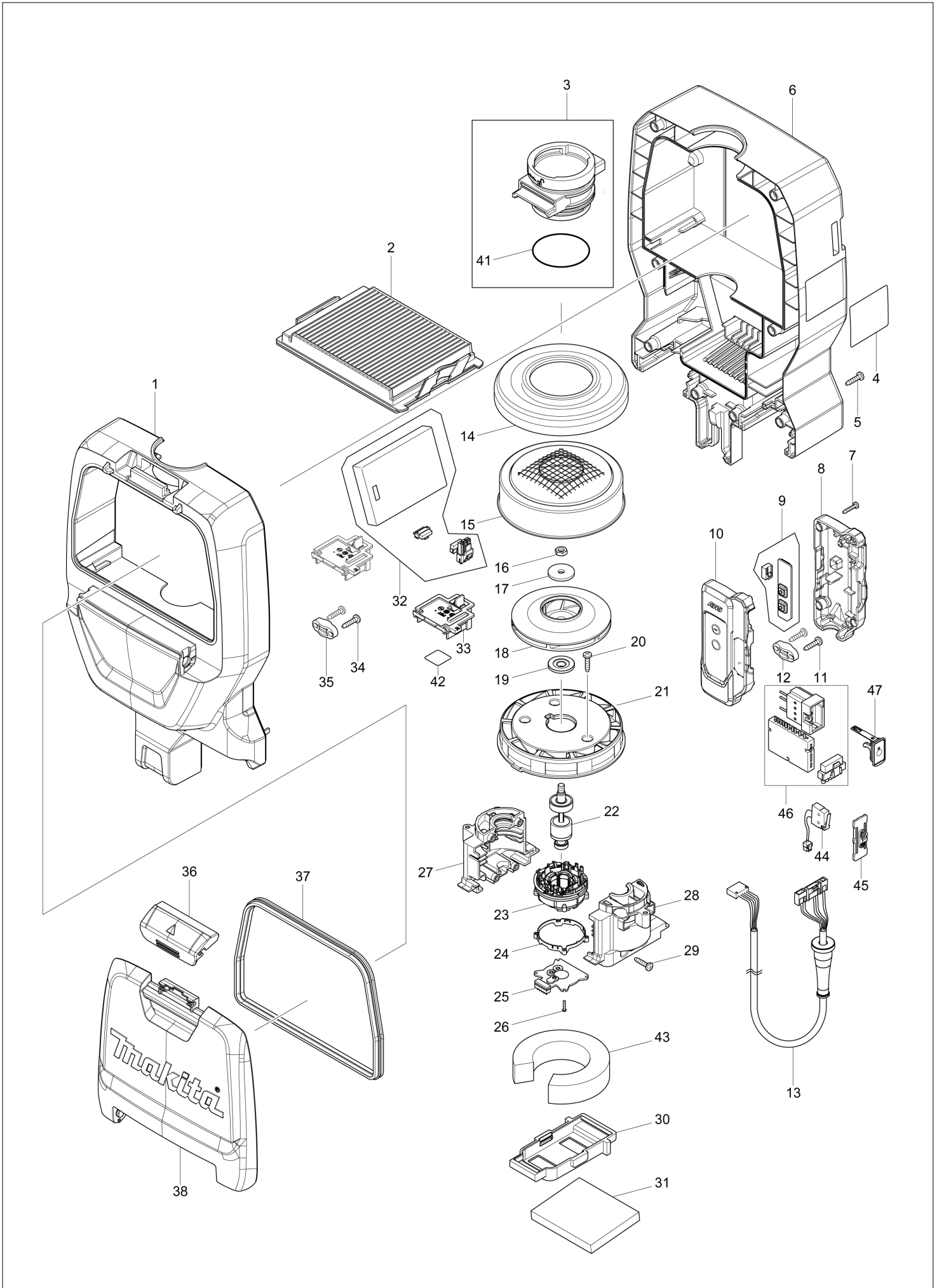
Diagram / Parts List

DVC265

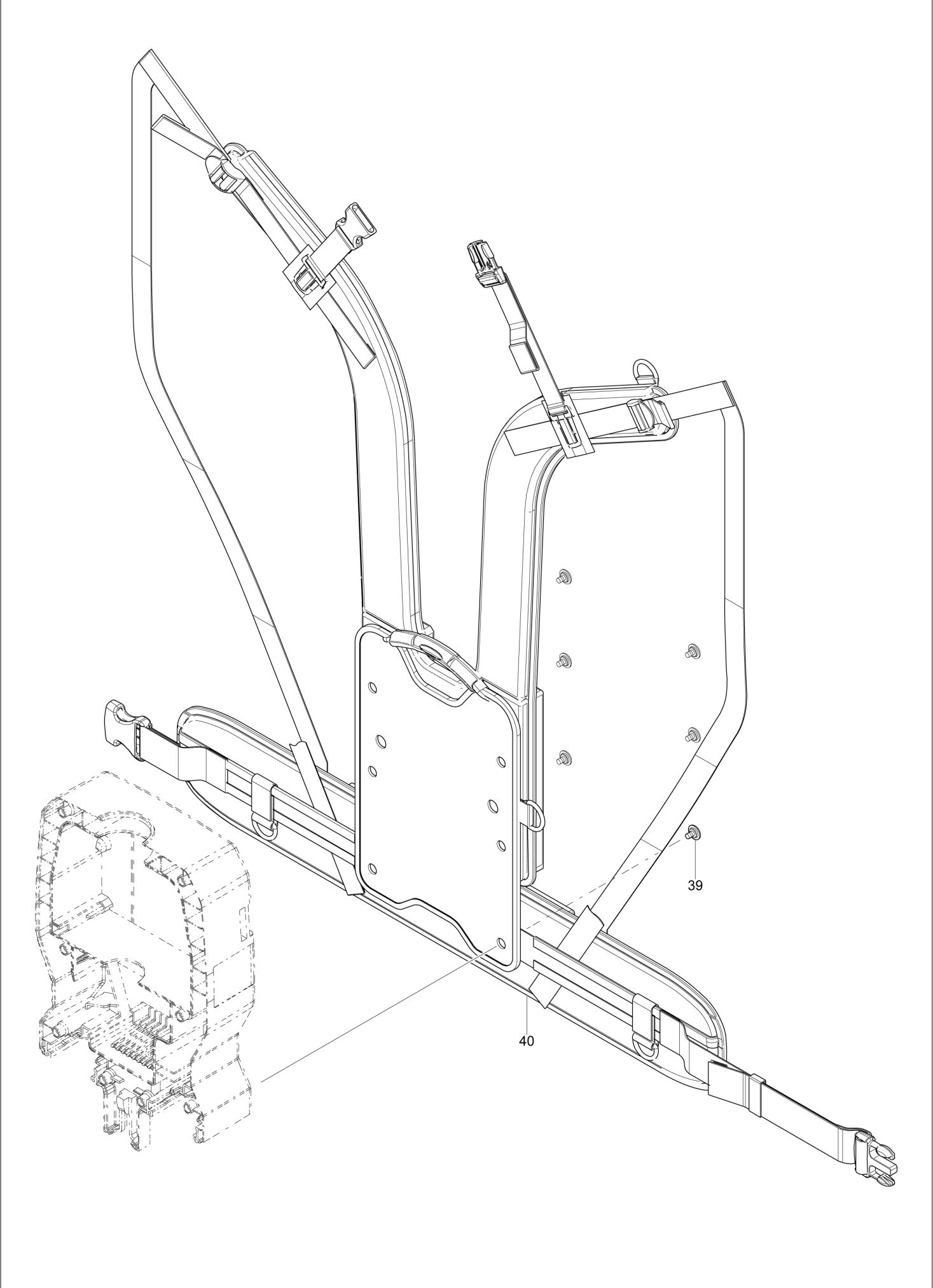
DC BACKPACK VACUUM CLEANER



(TH) DVC265 / DC BACKPACK VACUUM CLEANER



(TH) DVC265 / DC BACKPACK VACUUM CLEANER



TH	THAILAND
----	----------

DVC265 / DC BACKPACK VACUUM CLEANER

Item	Sub	Parts No.	Parts Description	Qty	I/C	E/C No.	Close No.	Remark
001		140D62-1	UPPER HOUSING COMPLETE	1				
	C10	263005-3	RUBBER PIN 6	4				
	C20	422373-5	BAND DAMPER A	1				
002		123636-9	HEPA FILTER ASSEMBLY	1			D4706	
	C10	153820-2	VALVE COMPLETE	1			D4706	
002-1		127725-2	FILTER ASSEMBLY	1	O	D4706		
	C10	153820-2	VALVE COMPLETE	1		D4706		
003		135771-1	INLET ASS'Y	1				
	D10		INC. 41					
004		854Y68-6	DVC265 NAME PLATE	1				
005		266326-2	TAPPING SCREW 4X18	8				
006		140F61-5	LOWER HOUSING COMPLETE	1				
	C10	422374-3	BAND DAMPER B	1				
007		266130-9	TAPPING SCREW BIND PT 3X16	4				
008		183K75-1	SWITCH CASE SET	1				
	C10	818F55-5	SWITCH LABELA	1				
	C20	818F56-3	SWITCH LABELB	1				
	D10		INC. 10					
009		620949-4	SWITCH CIRCUIT	1				
010		183K75-1	SWITCH CASE SET	1				
	C10	818F55-5	SWITCH LABELA	1				
	C20	818F56-3	SWITCH LABELB	1				
	D10		INC. 8					
011		266326-2	TAPPING SCREW 4X18	2				
012		687123-7	STRAIN RELIEF	1				
013		699116-2	POWER SUPPLY CORD UNIT	1			C9101	
013-1		699137-4	POWER SUPPLY CORD UNIT	1	O	C9101	D6884	
013-2		699137-4	POWER SUPPLY CORD UNIT	1	O	D6884		
014		422376-9	SUPPORT RING	1				
015		161804-6	FAN COVER	1				
016		931303-0	HEX. NUT M6	1			C4760	
016-1		252268-6	HEX. NUT M6	1	O	C4760		
017		322407-3	WASHER 6	1				
018		241851-4	FAN 94	1				
019		313062-2	FLANGE	1				
020		266326-2	TAPPING SCREW 4X18	3				
021		456736-3	FAN BASE	1				
022		619517-8	ROTOR	1			C6318	
022-1		619517-8	ROTOR	1	O	C6318	DG943	
022-2		619517-8	ROTOR	1	O	DG943		
023		629381-9	STATOR	1				
024		687464-1	SUPPORT	1				
025		620526-2	CONTROLLER B	1				
026		266786-8	+ PAN HEAD TAPPING SCREW 2X10	4				
027		183D13-1	MOTOR HOUSING SET	1				
	D10		INC. 28					
028		183D13-1	MOTOR HOUSING SET	1				
	D10		INC. 27					
029		266326-2	TAPPING SCREW 4X18	4				
030		424837-5	SUPPORT A	1				
031		424838-3	REAR BLOCK FILTER	2				
032		620942-8	CONTROLLER	1				
033		644808-8	TERMINAL	2				
034		266326-2	TAPPING SCREW 4X18	2				
035		687123-7	STRAIN RELIEF	1				
036		123586-8	LATCH ASSEMBLY	1				
037		424836-7	SEAL	1				
038		456739-7	DUST BOX COVER	1				
039		265008-3	+ FLAT HEAD SCREW M5	6				
040		162469-7	HARNESS	1				
041		213655-4	O RING 56	1				
042		854Y75-9	DVC265 SERIAL NO. LABEL	1				
043		422370-1	BAND DAMPER C	1				
044		632E26-0	SWITCH UNIT	1				
045		458714-9	SWITCH LEVER	1				

A:DVC265ZX(N)

Interchange

O : Yes

X : No

< : the new part can be substituted for the current.

> : the current part can be substituted for the new.

S : Interchangeable as a set.

