



TH	THAILAND
----	----------

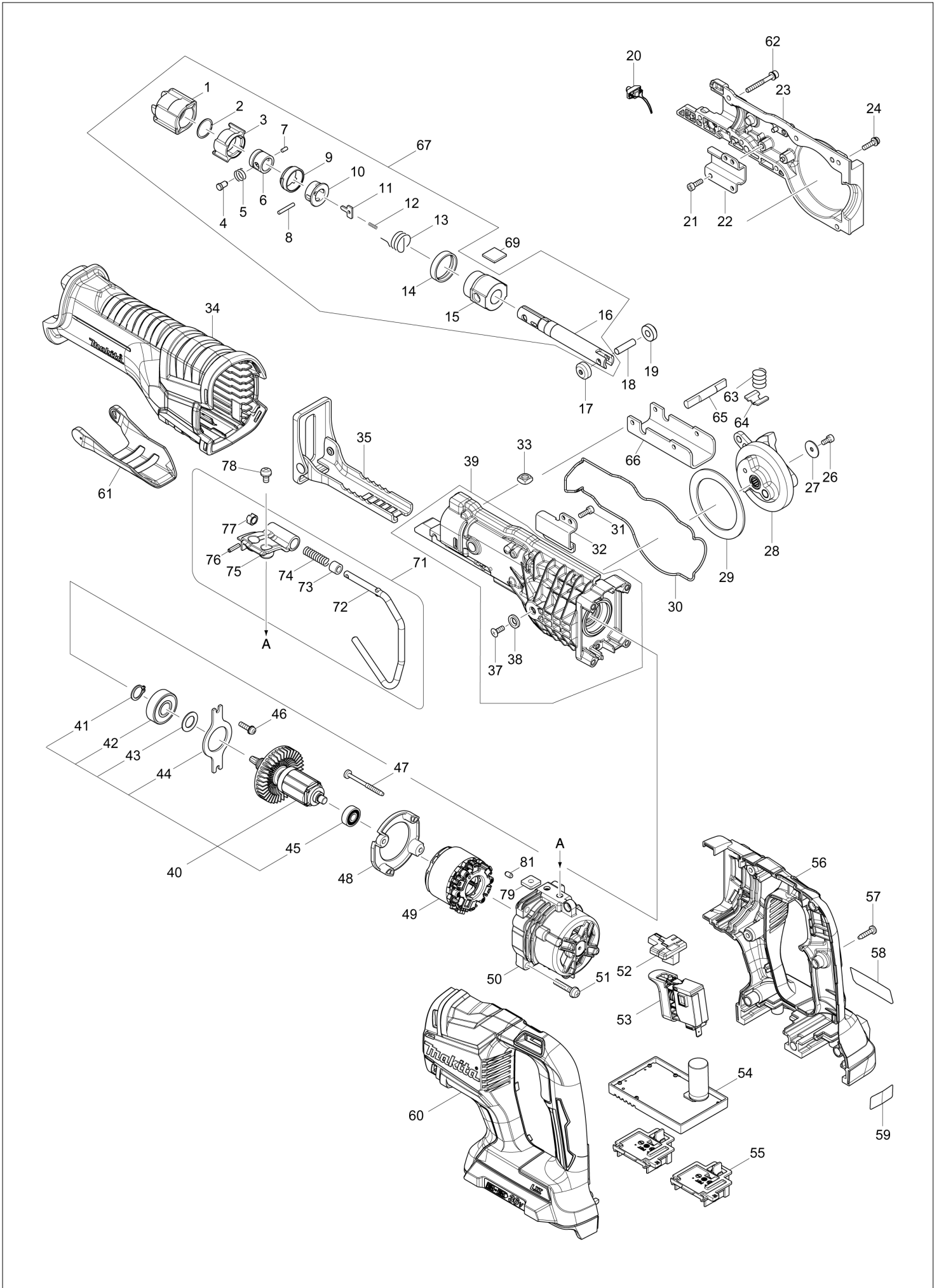
Diagram / Parts List

DJR360

CORDLESS RECIPRO SAW



(TH) DJR360 / CORDLESS RECIPRO SAW



TH	THAILAND
-----------	-----------------

DJR360 / CORDLESS RECIPRO SAW

Item	Sub	Parts No.	Parts Description	Qty	I/C	E/C No.	Close No.	Remark
001		424763-8	PROTECTOR	1				
002		257952-8	RETAINING RING (EXT) 18	1			C8033	
002-1		257430-8	RETAINING RING(EXT)18	1	S	C8033		
003		310662-9	DRIVING SLEEVE	1				
004		256569-4	SHOULDER PIN 5	1				
005		234381-2	COMPRESSION SPRING 6	1				
006		331720-8	GUIDE SLEEVE	1			C8033	
006-1		327043-0	GUIDE SLEEVE	1	S	C8033		
007		268094-3	PIN 3	1				
008		256158-5	PIN 3	1				
009		417791-0	DRIVING SLEEVE GUIDE	1				
010		418311-3	SLEEVE	1				
011		345214-7	PUSH PLATE	1				
012		233025-1	COMPRESSION SPRING 2	1				
013		231687-9	TORSION SPRING 17	1				
014		424762-0	RUBBER RING	1				
015		144012-4	SLIDER GUIDE COMPLETE	1				
	C10	213151-2	OIL SEAL 14	1				
	C20	213174-0	X RING 14	1				
016		161376-1	SLIDER	1				
017		310663-7	ROLLER	1				
018		268341-2	PIN 6	1				
019		310663-7	ROLLER	1				
020		620434-7	LED CIRCUIT	1				
021A		922117-8	HEX. SOCKET HEAD BOLT M4X12	2			B7611	
021B		922117-8	HEX. SOCKET HEAD BOLT M4X12	2			B7611	
021-1A		265353-6	HEX. SOCKET HEAD BOLT M4X12	2	<	B7611		
021-1B		265353-6	HEX. SOCKET HEAD BOLT M4X12	2	<	B7611		
021-1C		265353-6	HEX. SOCKET HEAD BOLT M4X12	2				
022		346936-2	ROD GUIDE R	1				
023		143362-4	GEAR HOUSING R COMPLETE	1				
024		911128-8	P.H.SCREW M4X16 WITH WR	5				
026A		922107-1	HEX. SOCKET HEAD BOLT M4X8	1			B7611	
026B		922107-1	HEX. SOCKET HEAD BOLT M4X8	1			B7611	
026-1A		265911-8	HEX. SOCKET HEAD BOLT M4X8	1	<	B7611		
026-1B		265911-8	HEX. SOCKET HEAD BOLT M4X8	1	<	B7611		
026-1C		265911-8	HEX. SOCKET HEAD BOLT M4X8	1				
027		267491-0	FLAT WASHER 4	1				
028A		143359-3	GEAR COMPLETE	1			C2638	
028B		143359-3	GEAR COMPLETE	1			C2638	
028-1A		140D35-4	GEAR COMPLETE	1	S	C2638		
028-1B		140D35-4	GEAR COMPLETE	1	S	C2638		
028-1C		140D35-4	GEAR COMPLETE	1				
029		267490-2	FLAT WASHER 54	1				
030		424764-6	SEAL RING	1				
031A		922117-8	HEX. SOCKET HEAD BOLT M4X12	2			B7611	
031B		922117-8	HEX. SOCKET HEAD BOLT M4X12	2			B7611	
031-1A		265353-6	HEX. SOCKET HEAD BOLT M4X12	2	<	B7611		
031-1B		265353-6	HEX. SOCKET HEAD BOLT M4X12	2	<	B7611		
031-1C		265353-6	HEX. SOCKET HEAD BOLT M4X12	2				
032		346935-4	ROD GUIDE L	1				
034		424767-0	INSULATION COVER B	1				
035A		161374-5	SHOE	1			C1877	
035B		161374-5	SHOE	1			C1877	
035-1A		161809-6	SHOE	1	<	C1877		
035-1B		161809-6	SHOE	1	<	C1877		
035-1C		161809-6	SHOE	1				
037A		912112-6	COUNTERSUNK HEAD SCREW M4X10	1			B7611	
037B		912112-6	COUNTERSUNK HEAD SCREW M4X10	1			B7611	
037-1A		265135-6	+ COUNTERSUNK HEAD SCREW M4X10	1	<	B7611		
037-1B		265135-6	+ COUNTERSUNK HEAD SCREW M4X10	1	<	B7611		
037-1C		265135-6	+ COUNTERSUNK HEAD SCREW M4X10	1				
038		253825-3	FLAT WASHER 6	1				
039A		123509-6	GEAR HOUSING L ASSEMBLY	1			B7611	
	D10		INC. 37,38				B7611	

A:DJR360Z(N)
 B:DJR360RM2(H)
 C:DJR360RF2(H)

Interchange
 O : Yes
 X : No
 < : the new part can be substituted for the current.
 > : the current part can be substituted for the new.
 S : Interchangeable as a set.

TH	THAILAND
----	----------

DJR360 / CORDLESS RECIPRO SAW

Item	Sub	Parts No.	Parts Description	Qty	I/C	E/C No.	Close No.	Remark
039B		123509-6	GEAR HOUSING L ASSEMBLY	1			B7611	
	D10		INC. 37,38				B7611	
039-1A		126677-4	GEAR HOUSING L ASSEMBLY	1	<	B7611	C9186	
	D10		INC. 37,38			B7611	C9186	
039-1B		126677-4	GEAR HOUSING L ASSEMBLY	1	<	B7611	C9186	
	D10		INC. 37,38			B7611	C9186	
039-1C		126677-4	GEAR HOUSING L ASSEMBLY	1			C9186	
	D10		INC. 37,38				C9186	
039-2		127462-8	GEAR HOUSING L ASSEMBLY	1	<	C9186		
	D10		INC. 37,38			C9186		
040A		519391-3	ROTOR ASS'Y	1			C2638	
	D10		INC. 41-45				C2638	
040B		519391-3	ROTOR ASS'Y	1			C2638	
	D10		INC. 41-45				C2638	
040-1A		519528-2	ROTOR ASS'Y	1	S	C2638		
	D10		INC. 41-45			C2638		
040-1B		519528-2	ROTOR ASS'Y	1	S	C2638		
	D10		INC. 41-45			C2638		
040-1C		519528-2	ROTOR ASS'Y	1				
	D10		INC. 41-45					
041		961052-5	RETAINING RING (EXT) S-12	1				
042		210118-1	BALL BEARING 6201DDW	1				
043		253744-3	FLAT WASHER 12	1				
044		285740-3	BEARING RETAINER 66	1				
045		210062-2	BALL BEARING 607ZZ	1				
046		911128-8	P.H.SCREW M4X16 WITH WR	2				
047A		266069-6	TAPPING SCREW 4X45	2			B7635	
047B		266069-6	TAPPING SCREW 4X45	2			B7635	
047-1A		266425-0	TAPPING SCREW 4X45	2	O	B7635		
047-1B		266425-0	TAPPING SCREW 4X45	2	O	B7635		
047-1C		266425-0	TAPPING SCREW 4X45	2				
048		456178-1	BAFFLE PLATE	1				
049		629180-9	STATOR	1			DK477	
049-1		629C12-8	STATOR	1	S	DK477		
050		456179-9	MOTOR HOUSING	1			D2872	
050-1		412476-3	MOTOR HOUSING	1	O	D2872		
051		911243-8	PAN HEAD SCREW M5X25	4				
052		456177-3	CHANGE BUTTON	1				
053		650759-5	SWITCH C3JW-6B-2	1				
054		620455-9	CONTROLLER A	1				
055		644808-8	TERMINAL	2				
056		183C50-9	HANDLE SET	1				
	C10	263005-3	RUBBER PIN 6	8				
	D10		INC. 60					
057		266326-2	TAPPING SCREW 4X18	7				
058		851P31-6	DJR360 NAME PLATE	1				
060		183C50-9	HANDLE SET	1				
	C10	263005-3	RUBBER PIN 6	8				
	D10		INC. 56					
061		456176-5	LOCK LEVER	1				
062		266979-7	HEX.SOCKET HEAD BOLT M4X35 WR	2				
063		231231-2	COMPRESSION SPRING 12	1				
064		346938-8	SHOE LOCK PLATE	1				
065		326599-0	LOCK PIN	1				
066		346937-0	SHOE GUIDE PLATE	1				
067		123749-6	SLIDER ASSEMBLY	1			C8033	
	D10		INC. 1-16				C8033	
067-1		127398-1	SLIDER ASSEMBLY	1	<	C8033		
	D10		INC. 1-16			C8033		
069		424902-0	FELT 16X16	1				
071		123456-1	HOOK ASSEMBLY	1				
	D10		INC. 72-77					
072		281223-1	HOOK	1				
073		262561-0	SLEEVE 6	1				
074		233455-6	COMPRESSION SPRING 7	1				

A:DJR360Z(N)
 B:DJR360RM2(H)
 C:DJR360RF2(H)

Interchange
 O : Yes
 X : No
 < : the new part can be substituted for the current.
 > : the current part can be substituted for the new.
 S : Interchangeable as a set.

