



TH	THAILAND
----	----------

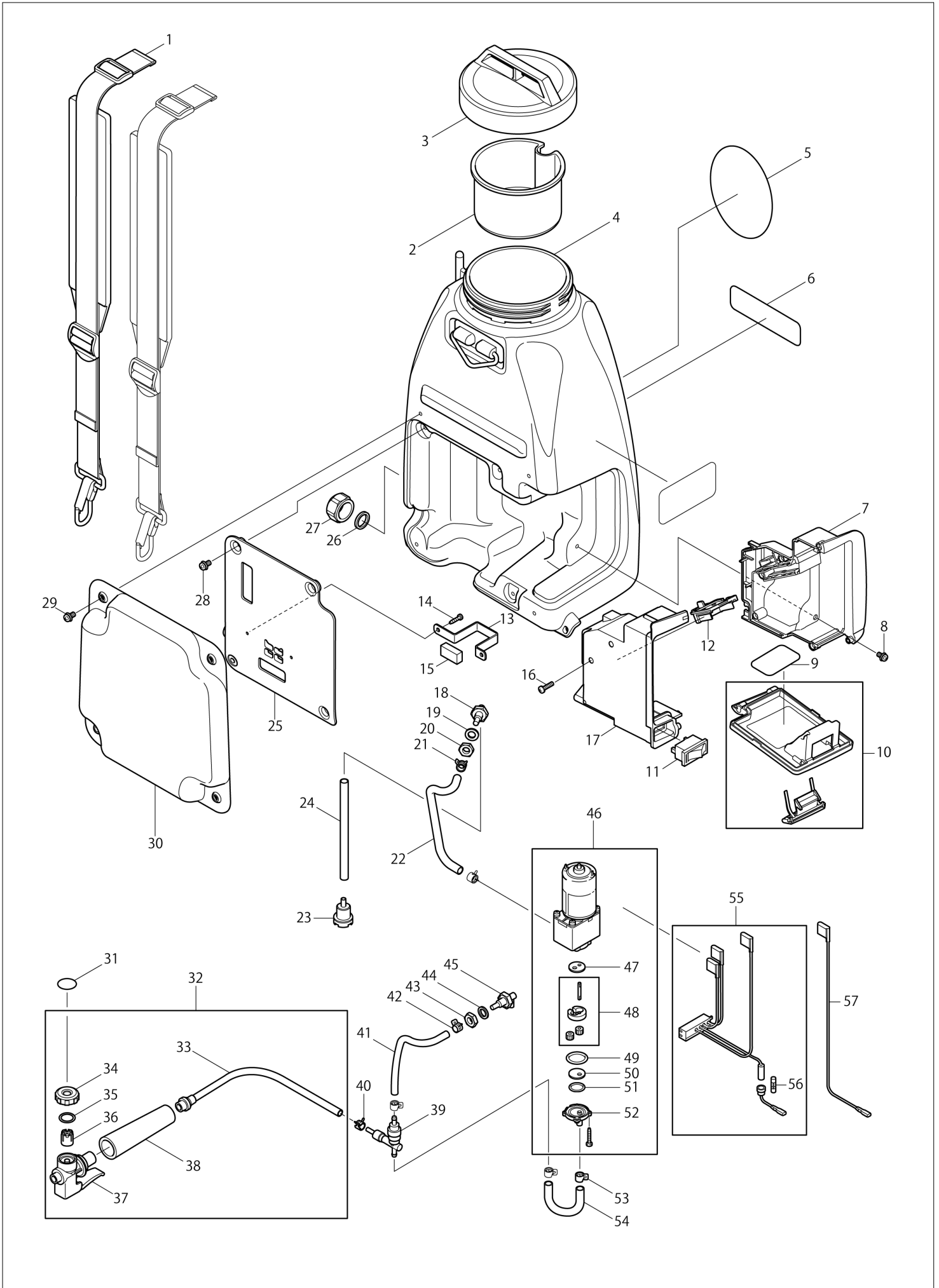
Diagram / Parts List

DVF154

CORDLESS GARDEN SPRAYER



(TH) DVF154 / CORDLESS GARDEN SPRAYER



TH	THAILAND
-----------	-----------------

DVF154 / CORDLESS GARDEN SPRAYER

Item	Sub	Parts No.	Parts Description	Qty	I/C	E/C No.	Close No.	Remark
001		6709026001	BAND COMPL	2			C0378A	
001-1		161884-2	BAND COMPL	2	O	C0378A		
002		6904503601	STRAINER, TANK	1				
003		6954022000	CAP COMPLETE	1				
004		6954012004	TANK COMPLETE	1				
005		804M22-8	INDICATION LABEL	1				
006D		6954512900	MAKITA LOGO LABEL	1			A7715	
006E		6954512900	MAKITA LOGO LABEL	1			A7715	
006-1D		806Y38-1	MAKITA LOGO LABEL	1	<	A7715		
006-1E		806Y38-1	MAKITA LOGO LABEL	1	<	A7715		
006-1F		806Y38-1	MAKITA LOGO LABEL	1				
007		6951504600	BATTERY HOUSING R	1				
008		0140059260	SCREW	3			C2147	
008-1		911209-8	PAN HEAD SCREW M5X10	3	O	C2147		
009		6954513200	INDICATION LABEL	1				
010		6951036000	COVER ASSY	1				
011		651531-8	SWITCH OR05-11B-BB-2	1				
012		643843-3	TERMINAL	1				
013		6951503501	PLATE, PUMP	1				
014D		0150049850	TAPPING SCREW	2			B0288	
014E		0150049850	TAPPING SCREW	2			B0288	
014-1D		265995-6	TAPPING SCREW 4X18	2	O	B0288		
014-1E		265995-6	TAPPING SCREW 4X18	2	O	B0288		
014-1F		265995-6	TAPPING SCREW 4X18	2				
015D		6951504100	CUSHION, PUMP	1			B2111	
015E		6951504100	CUSHION, PUMP	1			B2111	
015-1D		424891-9	PUMP CUSHION	1	O	B2111		
015-1E		424891-9	PUMP CUSHION	1	O	B2111		
015-1F		424891-9	PUMP CUSHION	1				
016D		0150049850	TAPPING SCREW	5			B0288	
016E		0150049850	TAPPING SCREW	5			B0288	
016-1D		265995-6	TAPPING SCREW 4X18	5	O	B0288		
016-1E		265995-6	TAPPING SCREW 4X18	5	O	B0288		
016-1F		265995-6	TAPPING SCREW 4X18	5				
017		6951504300	BATTERY HOUSING L	1				
018		6951022000	JOINT, ELBOW	1				
019		6951023000	PACKING, ELBOW	1				
020		6951024001	NUT, ELBOW	1				
021		0561100030	HOSE CLAMP	2				
022		6951503601	TUBE1	1				
023		6954021000	STRAINER, SUCTION ASSY	1				
024		6951503900	TUBE4	1				
025		6951503101	PUMP HOLDER	1				
026		6904500300	GASKET, BLIND	1				
027		453615-6	CAP	1				
028		0140059260	SCREW	3			C2147	
028-1		911209-8	PAN HEAD SCREW M5X10	3	O	C2147		
029		0140059260	SCREW	4			C2147	
029-1		911209-8	PAN HEAD SCREW M5X10	4	O	C2147		
030		6954025000	CUSHION	1				
031		6954513100	LABEL, CAUTION	1				
032		6957029001	HOSE, SPRAY COMPLETE	1				
	D10		INC. 33-38					
033		6957025012	HOSE COMPLETE	1				
034		6957025060	CAP, LEVER	1				
035		6957025050	O-RING	1				
036		6957025040	STRAINER	1				
037		6957029010	LEVER COMPL	1				
	D10		INC. 34-36					
038		6957025020	GRIP	1				
039		6951021001	REGURATOR COMPLETE	1				
040		0561089980	HOSE CLAMP	1				
041		6951503800	TUBE 3	1				
042		345918-1	HOSE CLAMP	2				
043		6951024001	NUT, ELBOW	1				

D:DVF154RFE(H)
E:DVF154RF(H)
F:DVF154Z(N)

Interchange
O : Yes
X : No
< : the new part can be substituted for the current.
> : the current part can be substituted for the new.
S : Interchangeable as a set.

