



TH	THAILAND
----	----------

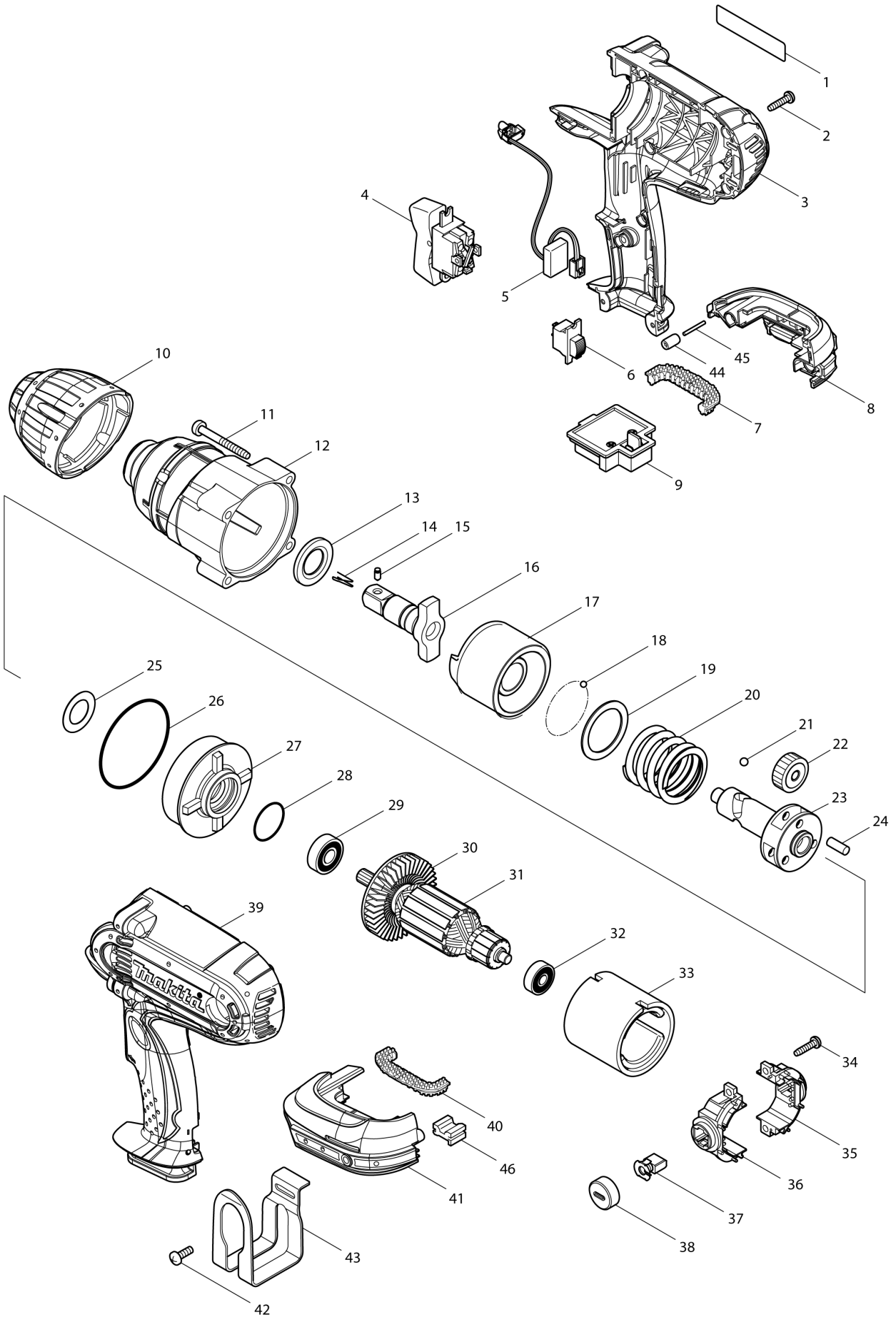
Diagram / Parts List

DTW450

CORDLESS IMPACT WRENCH



(TH) DTW450 / CORDLESS IMPACT WRENCH



TH	THAILAND
----	----------

DTW450 / CORDLESS IMPACT WRENCH

Item	Sub	Parts No.	Parts Description	Qty	I/C	E/C No.	Close No.	Remark
001		850H18-7	DTW450 NAME PLATE	1			D2834	
001-1		857K22-5	DTW450 NAME PLATE	1	S	D2834		
002		265995-6	TAPPING SCREW 4X18	9				
003		188434-8	HOUSING SET	1				
	C10	263025-7	RUBBER PIN 4	4				
	D10		INC. 39					
004		651572-4	SWITCH SL220SD-19	1			DB412	
004-1		651572-4	SWITCH SL220SD-19	1	O	DB412		
005		631738-2	LIGHT CIRCUIT	1				
006		638503-0	SWITCH UNIT	1				
007		424042-4	CUSHION RUBBER	1				
008		187873-9	BATTERY HOUSING SET	1				
	C10	263005-3	RUBBER PIN 6	2				
	D10		INC. 41					
009C		643843-3	TERMINAL	1			Z27791	
009D		643843-3	TERMINAL	1			Z27791	
009E		643843-3	TERMINAL	1				
009-1C		643844-1	TERMINAL	1	O	Z27791		
009-1D		643844-1	TERMINAL	1	O	Z27791		
010		421971-2	BUMPER	1				
011		266056-5	TAPPING SCREW 5X45	4				
012		158076-2	HAMMER CASE COMPLETE	1				
013		267268-3	FLAT WASHER 19	1				
014		231907-1	RING SPRING 10	1				
016		324406-1	ANVIL	1			B5968	
016-1		326983-9	ANVIL	1	<	B5968		
017		324697-4	HAMMER	1				
018		216008-6	STEEL BALL 4	29				
019		267340-1	FLAT WASHER 32	2				
020		234338-3	COMPRESSION SPRING 33	1				
021		216007-8	STEEL BALL 6.4	2				
022		227171-0	SPUR GEAR 23	3				
023		310185-7	SPINDLE	1				
024		256033-5	PIN 6	3				
025		253794-8	FLAT WASHER 18	1				
026		213722-5	O RING 63	1				
027		227172-8	INTERNAL GEAR 53	1				
028		213407-3	O RING 26	1				
029		210059-1	BALL BEARING 6000DDW	1				
030		241850-6	FAN 60	1				
031		519199-5	ARMATURE ASS'Y 18V	1				
	D10		INC. 29,30,32					
032		210025-8	BALL BEARING 627LLB	1				
033		638107-8	YOKE UNIT	1				
034		265995-6	TAPPING SCREW 4X18	2				
035		643818-2	BRUSH HOLDER	1			C0329	
035-1		643531-2	BRUSH HOLDER	1	O	C0329		
036		643823-9	BRUSH HOLDER	1			C0329	
036-1		643532-0	BRUSH HOLDER	1	O	C0329		
037		195022-4	CARBON BRUSH SET CB-441	1				
038C		643941-3	BRUSH HOLDER CAP	2			Z27791	
038D		643941-3	BRUSH HOLDER CAP	2			Z27791	
038E		643941-3	BRUSH HOLDER CAP	2				
038-1C		643829-7	HOLDER CAP	2	<	Z27791		
038-1D		643829-7	HOLDER CAP	2	<	Z27791		
039		188434-8	HOUSING SET	1				
	C10	263025-7	RUBBER PIN 4	4				
	D10		INC. 3					
040		424042-4	CUSHION RUBBER	1				
041		187873-9	BATTERY HOUSING SET	1				
	C10	263005-3	RUBBER PIN 6	2				
	D10		INC. 8					
042		251314-2	+ SCREW M4X12	1				
043		345736-7	HOOK	1				
044		263036-2	RUBBER PIN 5	1				

C:DTW450RFE(H)
D:DTW450Z(N)
E:DTW450RME(H)

Interchange
O : Yes
X : No
< : the new part can be substituted for the current.
> : the current part can be substituted for the new.
S : Interchangeable as a set.

