



TH	THAILAND
----	----------

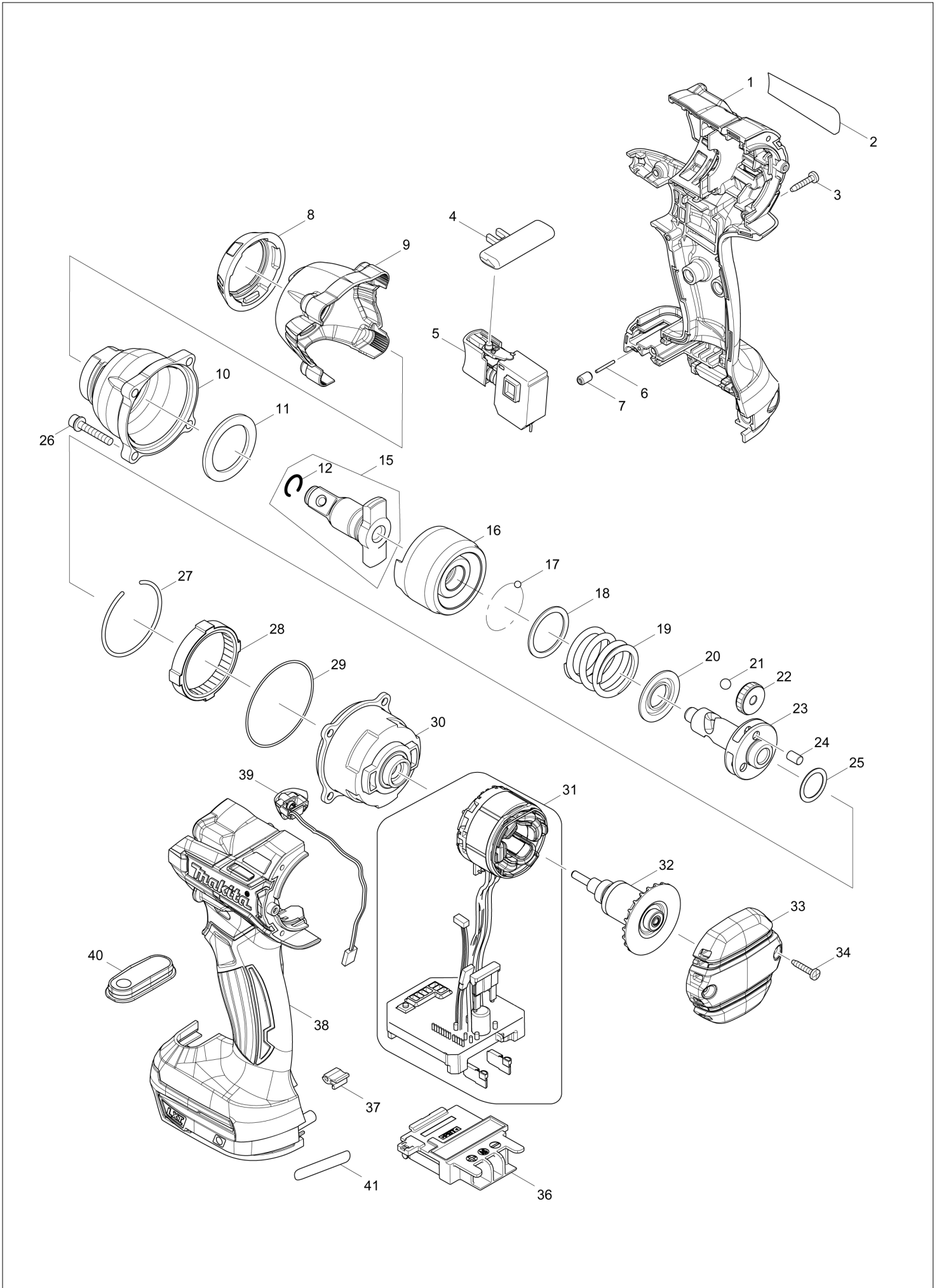
Diagram / Parts List

DTW285

CORDLESS IMPACT WRENCH



(TH) DTW285 / CORDLESS IMPACT WRENCH



TH	THAILAND
----	----------

DTW285 / CORDLESS IMPACT WRENCH

Item	Sub	Parts No.	Parts Description	Qty	I/C	E/C No.	Close No.	Remark
001		183D46-6	HOUSING SET	1				
	C10	263005-3	RUBBER PIN 6	2				
	C20	252126-6	HEX. LOCK NUT M4-7	2				
	D10		INC. 38					
002		852T92-3	DTW285 NAME PLATE	1				
003		266130-9	TAPPING SCREW BIND PT 3X16	8				
004		419041-9	F/R CHANGE LEVER	1				
005		650673-5	SWITCH C3JW-1A	1				
006		268184-2	PIN 1.5	1				
007		263036-2	RUBBER PIN 5	1				
008		424568-6	BUMPER	1				
009		454851-7	HAMMER CASE COVER	1				
010		143911-7	HAMMER CASE COMPLETE	1			C6134	
010-1		140K43-7	HAMMER CASE COMPLETE	1	<	C6134		
011		261154-0	NYLON WASHER 28	1				
012		231907-1	RING SPRING 10	1				
015		135824-6	ANVIL E ASS'Y	1				
	D10		INC. 12					
016		326384-1	HAMMER	1				
017		216001-0	STEEL BALL 3.5	24			D0295	
017-1		216040-0	STEEL BALL 3.5	24	O	D0295		
018		267175-0	FLAT WASHER 24	1				
019		234322-8	COMPRESSION SPRING 25	1				
020		267766-7	CUP WASHER 14	1				
021		216011-7	STEEL BALL 5.6	2				
022		227338-0	SPUR GEAR 22	3				
023		326385-9	SPINDLE	1				
024		268311-1	PIN 5	3				
025		253147-1	FLAT WASHER 15	1				
026		266915-3	HEX.SOCKET HEAD BOLT M4X25	4			C6971	
026-1		922146-1	HEX. SOCKET HEAD BOLT M4X25	4	S	C6971		
027		233910-8	RING SPRING 43	1				
028		227337-2	INTERNAL GEAR 51	1				
029		213785-1	O-RING 49	1				
030		142389-1	INTERNAL GEAR CASE COMPLETE	1				
031		632J07-4	STATOR UNIT	1			C4557	
031-1		632J24-4	STATOR UNIT	1	<	C4557		
032		619341-9	ROTOR	1				
033		454850-9	REAR COVER	1				
034		266130-9	TAPPING SCREW BIND PT 3X16	2				
036		643860-3	TERMINAL	1				
037		424517-3	CUSHION	1				
038		183D46-6	HOUSING SET	1				
	C10	263005-3	RUBBER PIN 6	2				
	C20	252126-6	HEX. LOCK NUT M4-7	2				
	D10		INC. 1					
039		620295-5	LED CIRCUIT	1				
040		144217-6	SWITCH PLATE COMPLETE	1				
A01		266622-8	+ TRUSS HEAD SCREW M4X12	1				
A02		346317-0	HOOK	1				
A03B		***DC18RC	DC18RC FAST CHARGER	1				
	D10		COMPO-PARTS					
A04B		197600-6	BATTERY BL1830B SET	2			C2803	
A04-1B		199283-8	BATTERY BL1830B SET	2	<	C2803	D0159	
A04-2B		199283-8	BATTERY BL1830B SET	2	<	D0159		
A05B		450128-8	BATTERY COVER	1				
A06B		824979-9	PLASTIC CARRYING CASE	1				
	C10	162302-3	LATCH	2				
	C20	324319-6	SHAFT	1				
	C30	451749-9	HANDLE	1				
F17-1		199283-8	BATTERY BL1830B SET	1	<	D0159		

A:DTW285Z(N)
B:DTW285RFE(H)

Interchange
O : Yes
X : No
< : the new part can be substituted for the current.
> : the current part can be substituted for the new.
S : Interchangeable as a set.