



TH	THAILAND
----	----------

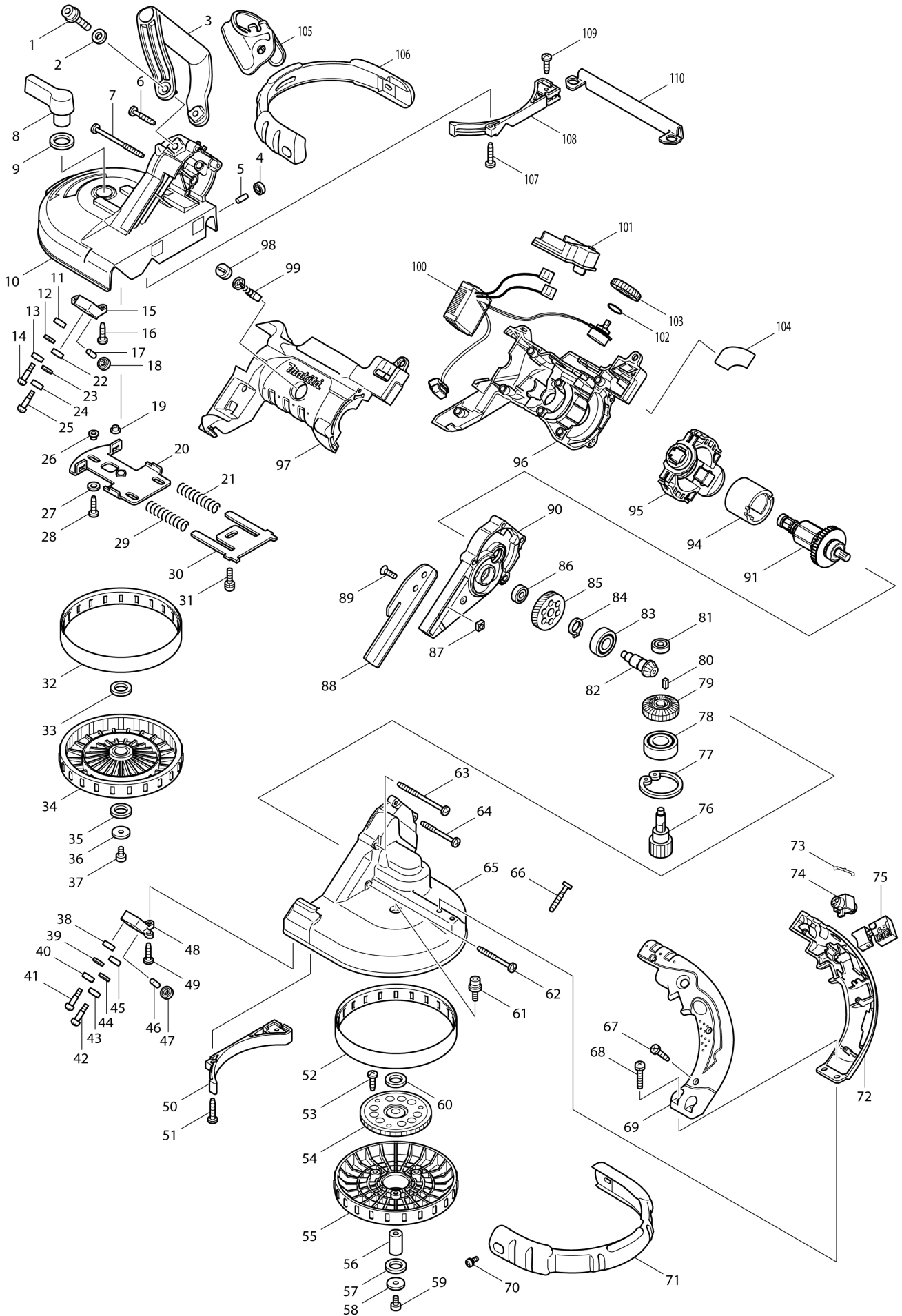
# Diagram / Parts List

**DPB180**

**CORDLESS PORTABLE BAND SAW**



(TH) DPB180 / CORDLESS PORTABLE BAND SAW



<b>TH</b>	<b>THAILAND</b>
-----------	-----------------

**DPB180 / CORDLESS PORTABLE BAND SAW**

Item	Sub	Parts No.	Parts Description	Qty	I/C	E/C No.	Close No.	Remark
001		922456-6	HEX. SOCKET HEAD BOLT M8X35	2			DG632	
001-1		922458-2	H.S.H.BOLT M8X35 WITH WR	2	S	DG632		
002		941202-8	FLAT WASHER 8	2			DG632	
003		273525-9	GRIP	1				
004B		210033-9	BALL BEARING 696ZZ	1			A8963	
004-1B		143517-1	BLADE GUIDE COMPLETE	1	S	A8963		
004-1C		143517-1	BLADE GUIDE COMPLETE	1				
004-1D		143517-1	BLADE GUIDE COMPLETE	1				
004-1E		143517-1	BLADE GUIDE COMPLETE	1				
005B		256033-5	PIN 6	1			A8963	
005-1B		268225-4	PIN 5	1	S	A8963		
005-1C		268225-4	PIN 5	1				
005-1D		268225-4	PIN 5	1				
005-1E		268225-4	PIN 5	1				
006		265999-8	TAPPING SCREW 4X25	2				
007		266147-2	TAPPING SCREW 4X55	2				
008		272223-2	LEVER 60	1				
009		267041-1	FLAT WASHER 20	1				
010		158703-1	FRONT WHEEL COVER COMPLETE	1				
	C10	816212-3	INDICATIONAL LABEL	1				
011		210033-9	BALL BEARING 696ZZ	1			DH029	
011-1		210187-2	BALL BEARING 696ZZ	1	O	DH029		
012		941152-7	FLAT WASHER 6	1				
013		210033-9	BALL BEARING 696ZZ	1			DH029	
013-1		210187-2	BALL BEARING 696ZZ	1	O	DH029		
014		251337-0	+ PAN HEAD SCREW M5	1				
015		317824-0	UPPER HOLDER	1				
016		266034-5	TAPPING SCREW CT 4X16	2				
017		256033-5	PIN 6	1				
018		210033-9	BALL BEARING 696ZZ	1			DH029	
018-1		210187-2	BALL BEARING 696ZZ	1	O	DH029		
019		343494-9	SLEEVE 5	1				
020		163276-1	SLIDE PLATE	1				
021		231449-5	COMPRESSION SPRING 11	1				
022		210033-9	BALL BEARING 696ZZ	1			DH029	
022-1		210187-2	BALL BEARING 696ZZ	1	O	DH029		
023		941152-7	FLAT WASHER 6	1				
024		210033-9	BALL BEARING 696ZZ	1			DH029	
024-1		210187-2	BALL BEARING 696ZZ	1	O	DH029		
025		251337-0	+ PAN HEAD SCREW M5	1				
026		343494-9	SLEEVE 5	3				
027		941051-3	FLAT WASHER 4	3				
028		266034-5	TAPPING SCREW CT 4X16	3				
029		231449-5	COMPRESSION SPRING 11	1				
030		343489-2	TENSION PLATE	1				
031		911221-8	PAN HEAD SCREW M5X16	1				
032		421333-4	RUBBER TIRE	1				
033		253749-3	FLAT WASHER 16	1				
034		152325-9	WHEEL COMPLETE	1			C0686	
034-1		140B58-0	WHEEL COMPLETE	1	<	C0686		
035		253749-3	FLAT WASHER 16	1				
036		253010-8	FLAT WASHER 6	1				
037		922312-0	HEX. SOCKET HEAD BOLT M6X12	1				
038		210033-9	BALL BEARING 696ZZ	1			DH029	
038-1		210187-2	BALL BEARING 696ZZ	1	O	DH029		
039		941152-7	FLAT WASHER 6	1				
040		210033-9	BALL BEARING 696ZZ	1			DH029	
040-1		210187-2	BALL BEARING 696ZZ	1	O	DH029		
041		251337-0	+ PAN HEAD SCREW M5	1				
042		251337-0	+ PAN HEAD SCREW M5	1				
043		210033-9	BALL BEARING 696ZZ	1			DH029	
043-1		210187-2	BALL BEARING 696ZZ	1	O	DH029		
044		941152-7	FLAT WASHER 6	1				
045		210033-9	BALL BEARING 696ZZ	1			DH029	
045-1		210187-2	BALL BEARING 696ZZ	1	O	DH029		

B:DPB180Z(N)  
C:DPB180RFE(H)  
D:DPB180RTE(H)  
E:DPB180RME(H)

Interchange  
O : Yes  
X : No  
< : the new part can be substituted for the current.  
> : the current part can be substituted for the new.  
S : Interchangeable as a set.

TH	THAILAND
----	----------

### DPB180 / CORDLESS PORTABLE BAND SAW

Item	Sub	Parts No.	Parts Description	Qty	I/C	E/C No.	Close No.	Remark
046		256033-5	PIN 6	1				
047		210033-9	BALL BEARING 696ZZ	1			DH029	
047-1		210187-2	BALL BEARING 696ZZ	1	O	DH029		
048		317823-2	LOWER HOLDER	1				
049		266034-5	TAPPING SCREW CT 4X16	2				
050		418784-0	SAW GUARD HOLDER	1				
051		266042-6	TAPPING SCREW BIND CT 4X20	2				
052		421333-4	RUBBER TIRE	1				
053		266021-4	TAPPING SCREW 5X20	3				
054		154949-7	GEAR COMPLETE	1				
055		419506-1	WHEEL	1				
056		324513-0	LOWER SHAFT	1				
057		253749-3	FLAT WASHER 16	1				
058		253010-8	FLAT WASHER 6	1				
059		922312-0	HEX. SOCKET HEAD BOLT M6X12	1				
060		253749-3	FLAT WASHER 16	1				
061		922323-5	HEX.SOCKET HEAD BOLT M6X16	1				
062		266203-8	TAPPING SCREW BIND CT 4X40	1				
063		266147-2	TAPPING SCREW 4X55	2				
064		266048-4	TAPPING SCREW 4X40	2				
065		317947-4	REAR WHEEL COVER	1				
066		265995-6	TAPPING SCREW 4X18	8				
067		265995-6	TAPPING SCREW 4X18	2				
068		911243-8	PAN HEAD SCREW M5X25	2				
069		188108-1	HANDLE SET	1				
	D10		INC. 72					
070		911213-7	PAN HEAD SCREW M5X12	4				
071		168412-4	REAR BUMPER	1				
072		188108-1	HANDLE SET	1				
	D10		INC. 69					
073		232201-4	LEAF SPRING	1				
074		419504-5	LOCK OFF BUTTON	1				
075		650229-4	SWITCH SGE120C-3	1			DF875	
075-1		650229-4	SWITCH SGE120C-3	1	O	DF875		
076		227170-2	SPUR GEAR 12	1				
077		962203-3	RETAINING RING R-47	1				
078		211306-3	BALL BEARING 6204LLB	1				
079		227470-0	SPIRAL BEVEL GEAR 29	1				
080		254202-2	KEY 4	1				
081		210029-0	BALL BEARING 608ZZ	1				
082		227481-5	SPIRAL BEVEL GEAR 11	1				
083		211241-5	BALL BEARING 6202DDW	1			D6131	
083-1		211487-3	BALL BEARING 6202DDW	1	O	D6131		
084		961055-9	RETAINING RING S-15	1				
085		226626-2	HELICAL GEAR 45	1				
086		210029-0	BALL BEARING 608ZZ	1				
087		252157-5	SQUARE NUT M6	2				
088		345467-8	STOPPER PLATE	1				
089		251981-3	HEX. SOCKET HEAD BOLT M6X16	2				
090		154475-6	GEAR HOUSING COMPLETE	1				
091		619187-3	ARMATURE	1				
094		638420-4	YOKE UNIT	1				
095		638919-9	ENDBELL COMPLETE	1				
096		187801-4	HOUSING SET	1				
	D10		INC. 97					
097		187801-4	HOUSING SET	1				
	D10		INC. 96					
098		643929-3	BRUSH HOLDER CAP	2				
099		195018-5	CARBON BRUSH SET CB-430	1				
100		632B83-0	CONTROLLER UNIT	1				
101		644808-8	TERMINAL	1				
102		213261-5	O RING 17	1				
103		419505-3	DIAL	1				
104		815T13-6	DPB180 NAME PLATE	1				
106		168413-2	FRONT BUMPER	1				

B:DPB180Z(N)  
 C:DPB180RFE(H)  
 D:DPB180RTE(H)  
 E:DPB180RME(H)

Interchange  
 O : Yes  
 X : No  
 < : the new part can be substituted for the current.  
 > : the current part can be substituted for the new.  
 S : Interchangeable as a set.

