



TH	THAILAND
----	----------

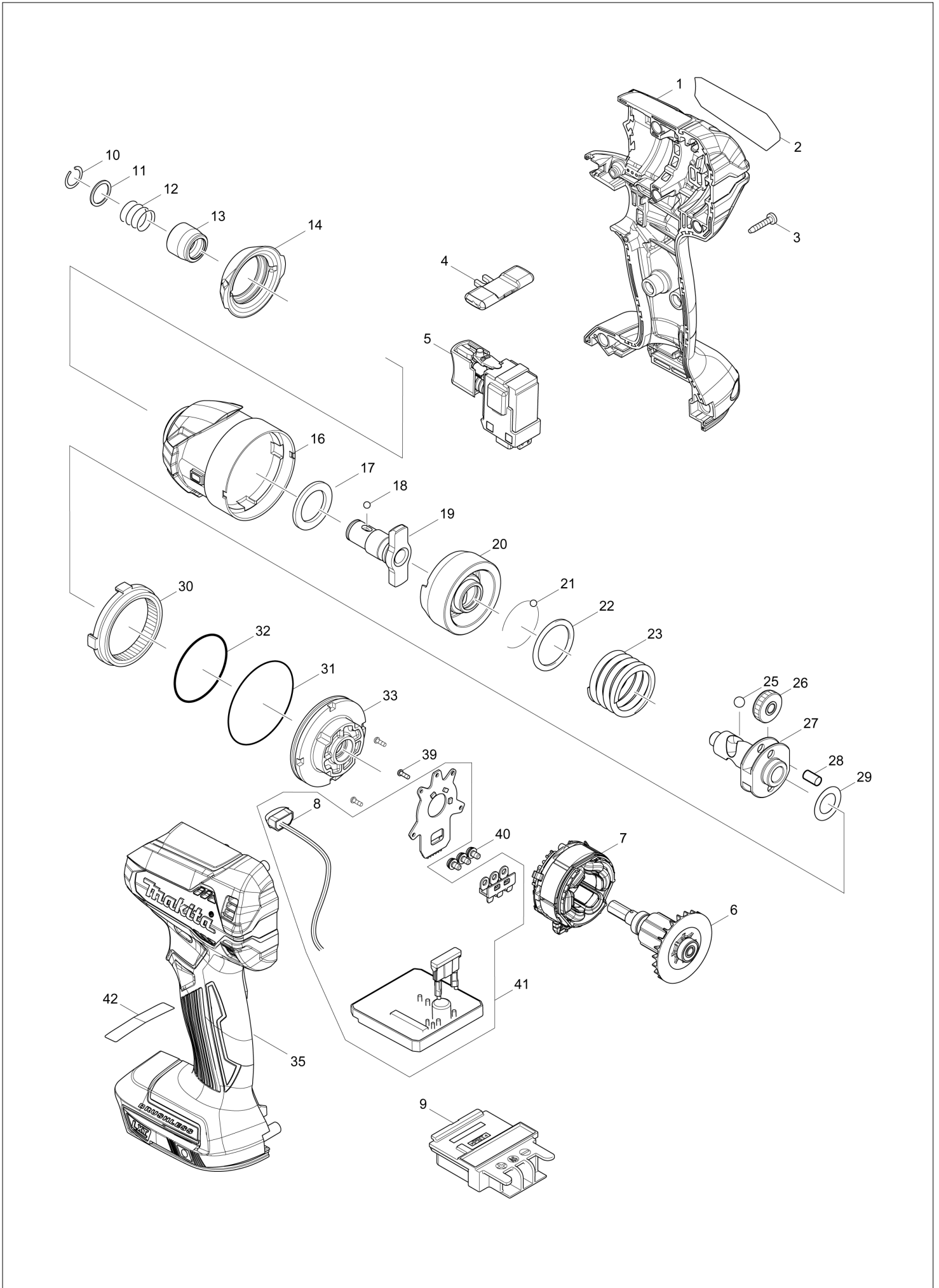
Diagram / Parts List

DTD153

CORDLESS IMPACT DRIVER



(TH) DTD153 / CORDLESS IMPACT DRIVER



TH	THAILAND
----	----------

DTD153 / CORDLESS IMPACT DRIVER

Item	Sub	Parts No.	Parts Description	Qty	I/C	E/C No.	Close No.	Remark
001		183E35-7	HOUSING SET	1				
	C10	263005-3	RUBBER PIN 6	2				
	C20	252126-6	HEX. LOCK NUT M4-7	2				
	D10		INC. 35					
002		852K79-1	DTD153 NAME PLATE	1			D3204	
002-1		857L39-4	DTD153 NAME PLATE	1	S	D3204		
003		266429-2	TAPPING SCREW 3X16	9				
004		455053-8	F/R CHANGE LEVER	1				
005		143975-1	SWITCH COMPLETE	1			DH213	
005-1		141N42-0	SWITCH COMPLETE	1	O	DH213	DL167	
005-2		143975-1	SWITCH COMPLETE	1	O	DL167		
006		619404-1	ROTOR	1			C6318	
006-1		619404-1	ROTOR	1	O	C6318		
007		629224-5	STATOR	1				
008		620557-1	LED CIRCUIT	1				
009		643860-3	TERMINAL	1				
010		231951-8	RING SPRING 11	1				
011		267085-1	FLAT WASHER 12	1				
012		233005-7	COMPRESSION SPRING 13	1				
013		326072-0	BIT SLEEVE	1				
014		424888-8	BUMPER	1				
016		143957-3	HAMMER CASE COMPLETE	1				
017		261151-6	NYLON WASHER 19	1				
018		216040-0	STEEL BALL 3.5	2				
019		326576-2	ANVIL N	1				
020		326564-9	HAMMER	1				
021		216040-0	STEEL BALL 3.5	24				
022		267175-0	FLAT WASHER 24	1				
023		234251-5	COMPRESSION SPRING 25	1				
025		216041-8	STEEL BALL 5.6	2				
026		227362-3	SPUR GEAR 22	2				
027		326562-3	SPINDLE	1				
028		256253-1	PIN 5	2				
029		253314-8	THIN WASHER 15	1				
030		227378-8	INTERNAL GEAR 51	1				
031		213606-7	O RING 48	1				
032		213507-9	O RING 40	1				
033		143958-1	BEARING BOX COMPLETE	1				
035		183E35-7	HOUSING SET	1				
	C10	263005-3	RUBBER PIN 6	2				
	C20	252126-6	HEX. LOCK NUT M4-7	2				
	D10		INC. 1					
039		266490-9	TAPPING SCREW PT 2X6	3				
040		652069-6	FLAT HEAD SCREW M3X6	3				
041		620563-6	CONTROLLER	1			DE673	
	D10		INC. 8				DE673	
041-1		620J73-3	CONTROLLER	1	O	DE673		
	D10		INC. 8			DE673		
043		857L40-9	DTD153 SERIAL NO. LABEL	1	S	D3204		
A01		266622-8	+ TRUSS HEAD SCREW M4X12	1				
A02		346317-0	HOOK	1				
A03B		450128-8	BATTERY COVER	1				
A03C		450128-8	BATTERY COVER	1				
A04B		***DC18RC	DC18RC FAST CHARGER	1				
	D10		COMPO-PARTS					
A04C		***DC18RC	DC18RC FAST CHARGER	1				
	D10		COMPO-PARTS					
A05B		197600-6	BATTERY BL1830B SET	2			C2803	
A05C		197280-8	BATTERY BL1850B SET	2			C2803	
A05-1B		199283-8	BATTERY BL1830B SET	2	<	C2803	D0159	
A05-1C		199282-0	BATTERY BL1850B SET	2	<	C2803	D0161	
A05-2B		199283-8	BATTERY BL1830B SET	2	<	D0159		
A05-2C		199282-0	BATTERY BL1850B SET	2	<	D0161		
A06B		141856-3	PLASTIC CARRYING CASE COMPLETE	1				
	C10	162302-3	LATCH	2				

A:DTD153Z(N)
 B:DTD153RFE(H)
 C:DTD153RTE(H)

Interchange
 O : Yes
 X : No
 < : the new part can be substituted for the current.
 > : the current part can be substituted for the new.
 S : Interchangeable as a set.

