



TH	THAILAND
----	----------

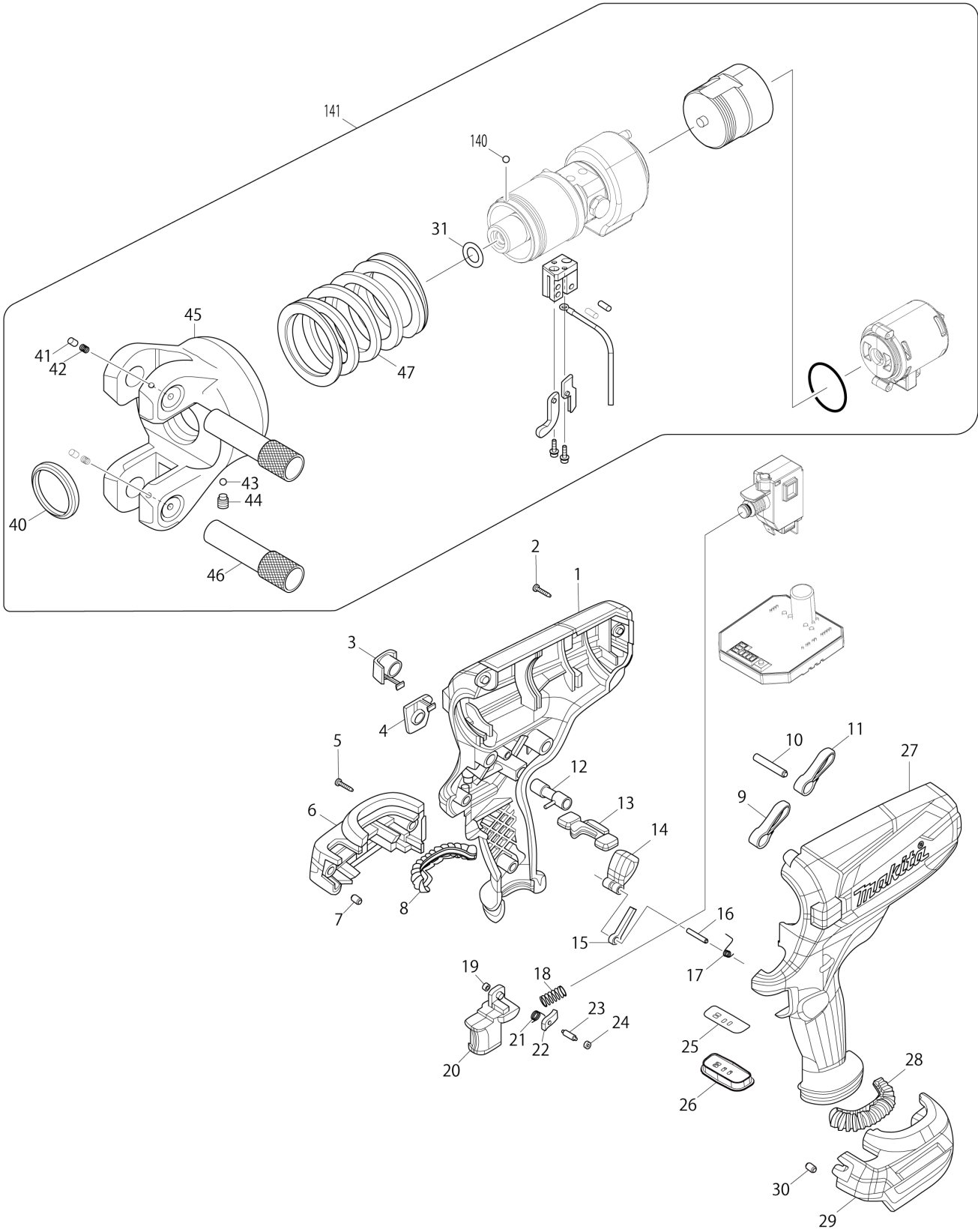
Diagram / Parts List

DTC300

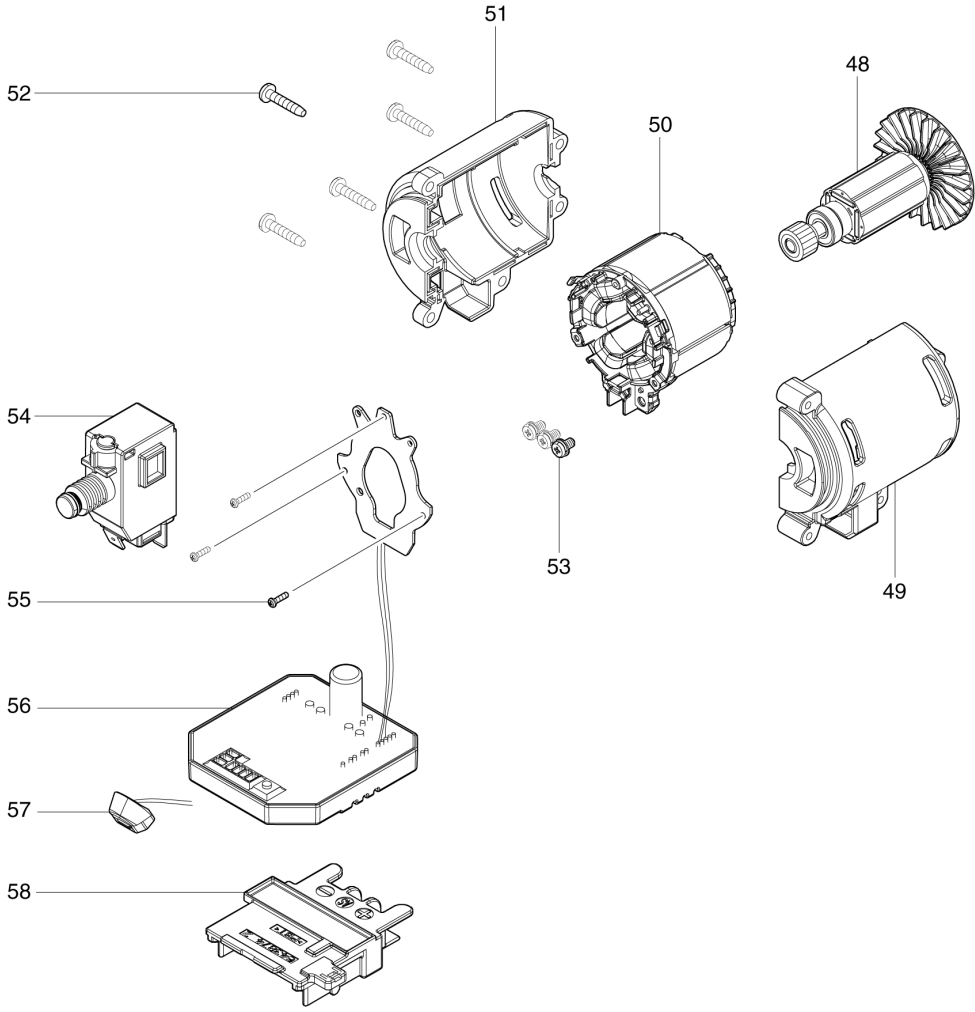
CORDLESS CRIMPER



(TH) DTC300 / CORDLESS CRIMPER



(TH) DTC300 / CORDLESS CRIMPER



TH	THAILAND
----	----------

DTC300 / CORDLESS CRIMPER

Item	Sub	Parts No.	Parts Description	Qty	I/C	E/C No.	Close No.	Remark
001		183M79-5	HOUSING SET	1				
	D10		INC. 27					
002		ZM00000028	TAPPING SCREW 4X16	6				
003		ZM00000008	ADJUSTMENT CAP	1				
004		ZM00000001	RELEASE CHANGE CAP	1				
005		ZM00000028	TAPPING SCREW 4X16	2				
006		183M77-9	BATTERY HOUSING SET	1				
	D10		INC. 7,29,30					
007		263005-3	RUBBER PIN 6	1				
008		424773-5	CUSHION RUBBER	1			DK168	
008-1		422A56-3	CUSHION RUBBER	1	<	DK168		
009		ZM00000015	STRAP RING	1				
010		ZM00000014	PIN 4X20	1				
011		ZM00000015	STRAP RING	1				
012		ZM00000013	CHANGE PIN	1				
013		ZM00000018	TRIGGER LOCK LEVER	1				
014		ZM00000009	LOCK RELEASE LEVER	1				
015		ZM00000010	SUPPORTER	1				
016		ZM00000012	PIN 3X22	1				
017		ZM00000011	TORSION SPRING (719)	1				
018		ZM00000005	COMPRESSION SPRING (565)	1				
019		ZM00000007	STOP RING E3	1				
020		ZM00000002	TRIGGER	1				
021		ZM00000006	TORSION SPRING (720)	1				
022		ZM00000003	RATCHET	1				
023		ZM00000004	PIN (280)	1				
024		ZM00000007	STOP RING E3	1				
025		ZM00000184	SWITCH LABEL	1				
026		ZM00000016	SWITCH PLATE	1				
027		183M79-5	HOUSING SET	1				
	D10		INC. 1					
028		424773-5	CUSHION RUBBER	1			DK168	
028-1		422A56-3	CUSHION RUBBER	1	<	DK168		
029		183M77-9	BATTERY HOUSING SET	1				
	D10		INC. 6,7,30					
030		263005-3	RUBBER PIN 6	1				
031		ZM00000103	O-RING P10	1				
040		ZM00000036	SCRAPER	1				
041		ZM00000032	STOPPER PIN	2				
042		ZM00000031	COMPRESSION SPRING (140)	2				
043		ZM00000034	STEEL BALL 1/8	1				
044		ZM00000035	HEX. SOCKET SET BOLT M5X6	1				
045		ZM00000030	CYLINDER HEAD	1				
046		ZM00000033	SLIDE PIN	2				
047		ZM00000029	COMPRESSION SPRING (700)	1				
048		619585-1	ROTOR	1				
049		183M78-7	MOTOR CASE SET	1				
	D10		INC. 51					
050		629442-5	STATOR	1				
051		183M78-7	MOTOR CASE SET	1				
	D10		INC. 49					
052		266429-2	TAPPING SCREW 3X16	5				
053		652069-6	FLAT HEAD SCREW M3X6	3				
054		651397-6	SWITCH C3JW-6CM-PN	1				
055		266490-9	TAPPING SCREW PT 2X6	3				
056		620B78-5	CONTROLLER	1				
057		620521-2	LED CIRCUIT	1				
058		643874-2	TERMINAL	1				
140		ZM00000034	STEEL BALL 1/8	1				
141		ZM00000126	OIL UNIT ASSY	1				
	D10		INC. 1,27,31,40-47,140					
F01		A-69521	CU DIE 8-14	1		Y09012		
F02		A-69537	CU DIE 22-38	1		Y09012		
F03		A-69543	CU DIE 45-70	1		Y09012		
F04		A-69559	CU DIE 75-100	1		Y09012		

A:

Interchange
O : Yes
X : No
< : the new part can be substituted for the current.
> : the current part can be substituted for the new.
S : Interchangeable as a set.

