



TH	THAILAND
----	----------

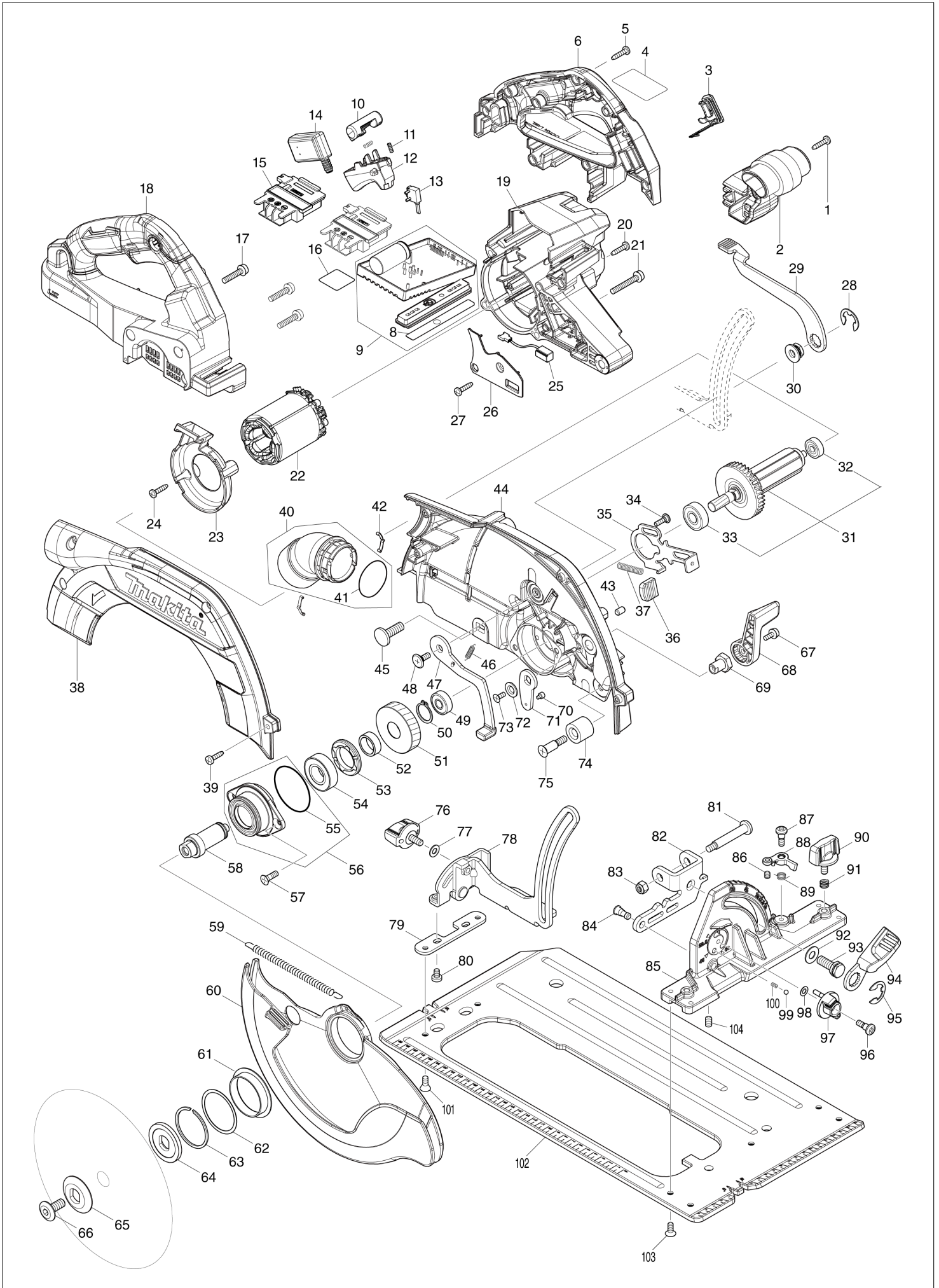
Diagram / Parts List

DHS901

235MM CORDLESS CIRCULAR SAW



(TH) DHS901 / 235MM CORDLESS CIRCULAR SAW



TH	THAILAND
-----------	-----------------

DHS901 / 235MM CORDLESS CIRCULAR SAW

Item	Sub	Parts No.	Parts Description	Qty	I/C	E/C No.	Close No.	Remark
001		266326-2	TAPPING SCREW 4X18	1				
002		459828-7	FRONT GRIP	1				
003		140F99-0	CAP COMPLETE	1				
	C10	213218-6	O RING 16	1			DA223	
	C11	213A05-9	O-RING16	1	O	DA223		
	C20	818H07-8	CAP LABEL	1				
004		856V28-6	DHS901 NAME PLATE	1				
005		266326-2	TAPPING SCREW 4X18	8				
006		183N39-3	HANDLE SET	1				
	C10	263005-3	RUBBER PIN 6	4				
	D10		INC. 18					
008		813T74-0	INDICATION LABEL	1				
009		620C59-5	CONTROLLER COMPLETE	1			DL990	
	D10		INC. 8				DL990	
009-1		620M35-9	CONTROLLER COMPLETE	1	S	DL990		
	D10		INC. 8			DL990		
010		419704-7	LOCK OFF BUTTON	1				
011		231433-0	COMPRESSION SPRING 4	2				
012		459829-5	SWITCH LEVER	1				
013		632M92-5	SWITCH UNIT	1				
014		651083-9	SWITCH C3XA-1PSPM	1				
015		643874-2	TERMINAL	2				
016		856V30-9	DHS901 SERIAL NO. LABEL	1				
017		911243-8	PAN HEAD SCREW M5X25	3				
018		183N39-3	HANDLE SET	1				
	C10	263005-3	RUBBER PIN 6	4				
	D10		INC. 6					
019		459823-7	MOTOR HOUSING	1				
020		266326-2	TAPPING SCREW 4X18	1				
021		911258-5	PAN HEAD SCREW M5X35	4				
022		629462-9	STATOR	1			DL990	
022-1		629C15-2	STATOR	1	S	DL990		
023		459826-1	BAFFLE PLATE	1				
024		266326-2	TAPPING SCREW 4X18	2				
025		620936-3	LED CIRCUIT	1				
026		459827-9	LIGHT COVER	1				
027		266326-2	TAPPING SCREW 4X18	1				
028		257953-6	BOW STOP RING E-12	1				
029		271453-2	LEVER 132	1				
030		252262-8	COLLERED HEX. NUT M8	1				
031		519602-6	ROTOR ASS'Y	1				
	D10		INC. 32,33					
032		210022-4	BALL BEARING 626DDW	1				
033		210059-1	BALL BEARING 6000DDW	1				
034		251529-1	+ PAN HEAD SCREW M4X14	1				
035		347575-1	SHAFT LOCK	1				
036		286039-9	CAP	1				
037		233084-5	COMPRESSION SPRING 6	1				
038		319860-2	BLADE CASE COVER	1				
039		266034-5	TAPPING SCREW CT 4X16	4				
040		136173-4	DUST NOZZLE ASS'Y	1				
	D10		INC. 41					
041		213444-7	O RING 30	1				
042		232227-6	LEAF SPRING	2			D5554	
042-1		232674-1	LEAF SPRING	2	O	D5554		
043		263005-3	RUBBER PIN 6	1			D1803	
043-1		263005-3	RUBBER PIN 6	1	S	D1803		
044		140P83-5	BLADE CASE COMPLETE	1			D1803	
	C10	213434-0	O RING 26	1			D1803	
	C20	8004T1-0	SCALE LABEL	1			D1803	
044-1		140P83-5	BLADE CASE COMPLETE	1	S	D1803		
	C10	213434-0	O RING 26	1		D1803		
	C20	8004T1-0	SCALE LABEL	1		D1803		
	D10		INC. 43			D1803		
045		266396-1	FLATHEAD SQUARENECKBOLT M8X24	1				

A:DHS901Z(N)
 B:DHS901ZU(N)
 C:DHS901PT2(H)
 D:DHS901PT2U(H)

Interchange
 O : Yes
 X : No
 < : the new part can be substituted for the current.
 > : the current part can be substituted for the new.
 S : Interchangeable as a set.

TH	THAILAND
----	----------

DHS901 / 235MM CORDLESS CIRCULAR SAW

Item	Sub	Parts No.	Parts Description	Qty	I/C	E/C No.	Close No.	Remark
046		232563-0	TENSION SPRING 4	1				
047		162686-9	OPEN LEVER	1				
048		265A60-7	+ PAN HEAD SCREW M5X14	1				
049		210029-0	BALL BEARING 608ZZ	1				
050		961057-5	RETAINING RING S-17	1				
051		226934-1	HELICAL GEAR 46	1				
052		257451-0	RING 17	1				
053		285809-3	BEARING RETAINER 23-36	1				
054		210301-0	BALL BEARING 6003DDW	1				
055		213623-7	O RING 46	1				
056		136192-0	BEARING BOX ASS'Y	1				
	D10		INC. 55					
057		265034-2	+ COUNTERSUNK HEAD SCREW M5X1	2				
058		327192-3	SPINDLE	1				
059		232562-2	TENSION SPRING 6	1				
060		319861-0	SAFETY COVER	1				
061		459830-0	SPACER	1				
062		267337-0	FLAT WASHER 40	1				
063		257452-8	RETAINING RING (EXT) WR-40	1				
064		224609-6	INNER FLANGE 38	1				
065		224600-4	OUTER FLANGE 38	1				
066		265A59-2	HEX. SOCKET HEAD BOLT M8	1				
067		911113-1	PAN HEAD SCREW M4X10 WITH WR	1				
068		271451-6	LEVER 55	1				
069		252275-9	HEX. NUT M4-16	1				
070		265A82-7	HEX. SOCKET HEAD SCREW M3X4	1				
071		347576-9	OPEN PLATE	1				
072		347577-7	WASHER 6	1				
073		265135-6	+ COUNTERSUNK HEAD SCREW M4X1	1				
074		262185-2	RUBBER SLEEVE8	1				
075		251572-0	+ COUNTERSUNK HEAD SCREW M6X3	1				
076		265798-8	THUMB SCREW M6X14	1				
077		941151-9	FLAT WASHER 6	1				
078		162813-8	DEPTH GUIDE COMPLETE	1				
079		347124-4	PLATE	1				
080		265B04-3	+ FLAT HEAD SCREW M5X8	2				
081		251220-1	+ PAN HEAD SCREW M6	1				
082		347689-6	ANGULAR GUIDE	1				
083		252014-7	HEX. LOCK NUT M6-10	1				
084		256351-1	SHOULDER PIN 6-7	1				
085		319987-8	ANGULAR PLATE	1				
086		266264-8	H.S.SET SCREW(FLAT POINT)M5X6	1				
087		251370-2	+ PAN HEAD SCREW M5	1				
088		319239-7	STOPPER	1				
089		231665-9	TORSION SPRING 7	1				
090		265798-8	THUMB SCREW M6X14	1				
091		233376-2	COMPRESSION SPRING 8	1				
092		941201-0	FLAT WASHER 8	1				
093		265B05-1	HEX. BOLT M8X20	1				
094		271461-3	LEVER 56	1				
095		257953-6	BOW STOP RING E-12	1				
096		251370-2	+ PAN HEAD SCREW M5	1				
097		412510-9	DIAL 27	1				
098		253811-4	FLAT WASHER 5	1				
099		216008-6	STEEL BALL 4	1				
100		233314-4	COMPRESSION SPRING 4	1				
101		912202-5	COUNTERSUNK HEAD SCREW M5X8	2				
102		347688-8	BASE	1				
103		912212-2	COUNTERSUNK HEAD SCREW M5X12	5				
104		266208-8	H.S.SET SCREW(CUP POINT)M6X8	1				
105		620L68-8	CONTROLLER B	1	S	DL990		
106		652119-7	PAN HEAD SCREW M2X6	6	S	DL990		
A01		164367-1	GUIDE RULE	1				
A02		783204-6	HEX. WRENCH 6	1				
A03		E-01959	TCT BLADE 235X24T WOOD EFFICUT	1				

A:DHS901Z(N)
 B:DHS901ZU(N)
 C:DHS901PT2(H)
 D:DHS901PT2U(H)

Interchange
 O : Yes
 X : No
 < : the new part can be substituted for the current.
 > : the current part can be substituted for the new.
 S : Interchangeable as a set.

