



TH THAILAND

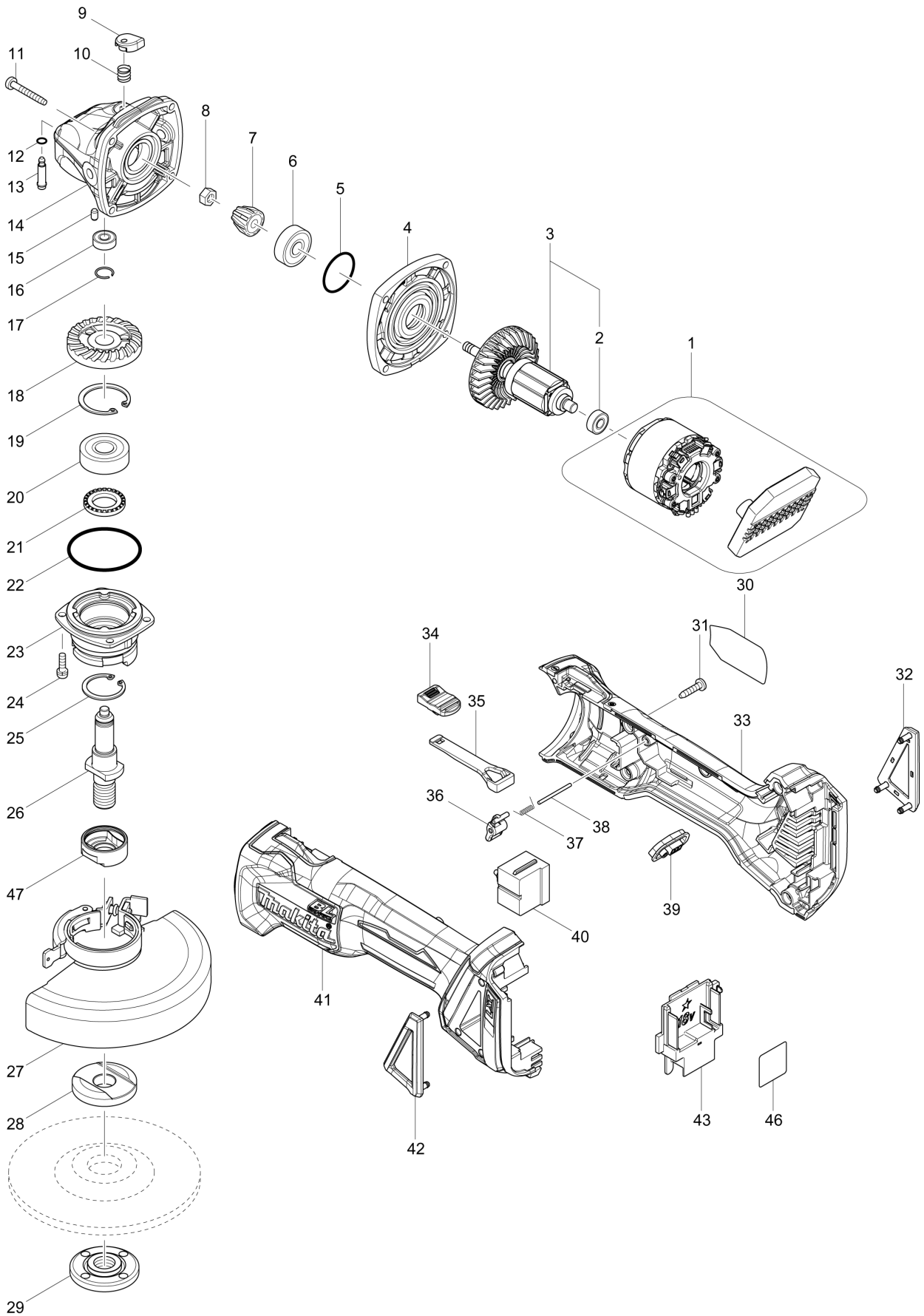
Diagram / Parts List

DGA506

125MM CORDLESS ANGLE GRINDER



(TH) DGA506 / 125MM CORDLESS ANGLE GRINDER



TH	THAILAND
----	----------

DGA506 / 125MM CORDLESS ANGLE GRINDER

Item	Sub	Parts No.	Parts Description	Qty	I/C	E/C No.	Close No.	Remark
001		629201-7	STATOR COMPLETE	1			DE703	
001-1		629B61-9	STATOR	1	S	DE703		
002-1		211021-9	BALL BEARING 607LLB	1				
003-1		510300-5	ROTOR ASS'Y	1			D7193	
	D10		INC. 2				D7193	
003-2		510300-5	ROTOR ASS'Y	1	O	D7193		
	D10		INC. 2			D7193		
004		319214-3	GEAR HOUSING COVER	1				
005		213445-5	O-RING 26	1				
006		210042-8	BALL BEARING 629LLB	1				
007-1		226861-2	SPIRAL BEVEL GEAR 10	1				
008		252186-8	HEX. NUT M6	1				
009		417771-6	PIN CAP	1				
010		233072-2	COMPRESSION SPRING 8	1			DC788	
010-1		233376-2	COMPRESSION SPRING 8	1	O	DC788		
011		266361-0	TAPPING SCREW 4X30	4				
012		213960-9	O RING 5	1				
013		256546-6	SHOULDER PIN 4	1				
014		319213-5	GEAR HOUSING	1				
015		263002-9	RUBBER PIN 4	1				
016		210006-2	BALL BEARING 696ZZ	1				
017		233950-6	RING SPRING 11	1				
018-1		226862-0	SPIRAL BEVEL GEAR 37	1				
019		962151-6	RETAINING RING R-32	1				
020		211129-9	BALL BEARING 6201DDW	1				
021		262153-5	FELT RING 16	1				
022		213622-9	O RING 45	1				
023		319399-5	BEARING BOX	1				
024		911121-2	PAN HEAD SCREW M4X14	4				
025		962105-3	RETAINING RING R-26	1				
026		326672-6	SPINDLE	1				
027		123145-8	TOOLLESS WHEELCOVER 125AK ASS'Y	1				
	C10	213009-5	O RING 4	1				
	C20	265180-1	PAN HEAD SCREW M5X16	1				
028		224447-6	INNER FLANGE 42B	1				
029		224554-5	LOCK NUT 14-45	1				
030		851Y86-5	DGA506 NAME PLATE	1				
031		266326-2	TAPPING SCREW 4X18	5				
032		455450-8	DUST COVER R	1				
033		187998-9	MOTOR HOUSING SET	1			C0432	
	C10	263005-3	RUBBER PIN 6	2			C0432	
	D10		INC. 41				C0432	
033-1		183J39-9	MOTOR HOUSING SET	1	<	C0432		
	C10	263005-3	RUBBER PIN 6	2		C0432		
	D10		INC. 41			C0432		
034		455447-7	SWITCH KNOB	1				
035		455446-9	SWITCH LEVER	1				
036		455448-5	LEVER	1				
037		231679-8	TORSION SPRING 2	1				
038		268330-7	PIN 2	1				
039		142901-7	INDICATOR PANEL COMPLETE	1				
040		650579-7	SWITCH 1246.3223	1				
041		187998-9	MOTOR HOUSING SET	1			C0432	
	C10	263005-3	RUBBER PIN 6	2			C0432	
	D10		INC. 33				C0432	
041-1		183J39-9	MOTOR HOUSING SET	1	<	C0432		
	C10	263005-3	RUBBER PIN 6	2		C0432		
	D10		INC. 33			C0432		
042		455449-3	DUST COVER L	1				
043		643899-6	TERMINAL	1				
046		851Y94-6	DGA506 SERIAL NO. LABEL	1				
047		310514-4	LEAD FLANGE	1				
048		620K14-5	CONTROLLER	1	S	DE703		
049		652119-7	PAN HEAD SCREW M2X6	6	S	DE703		
A01		A-80656	GRINDING WHEEL 125 WA36N	1				

A:DGA506Z(N)

Interchange
O : Yes
X : No
< : the new part can be substituted for the current.
> : the current part can be substituted for the new.
S : Interchangeable as a set.

