



| | |
|----|----------|
| TH | THAILAND |
|----|----------|

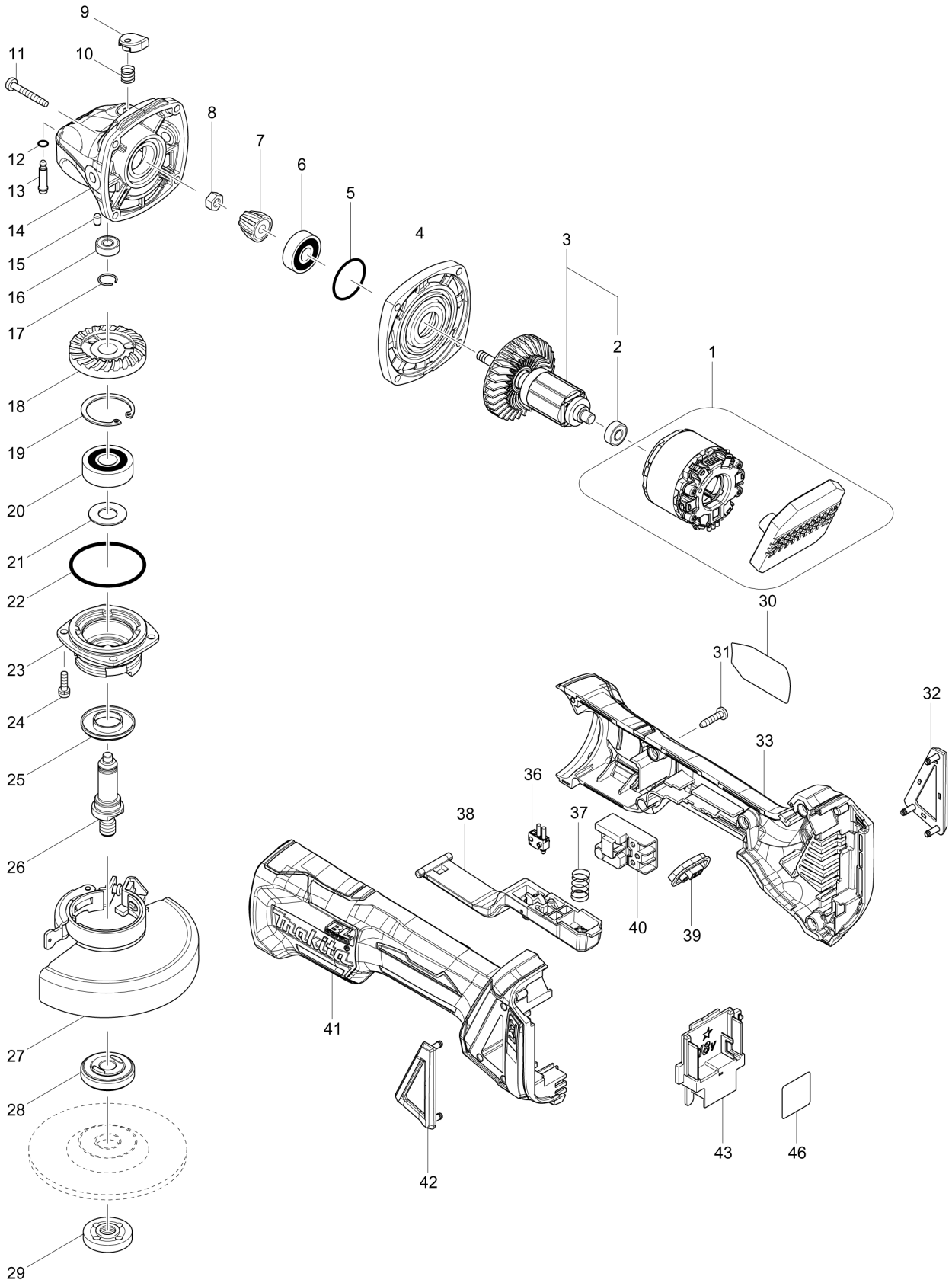
Diagram / Parts List

DGA405

100MM CORDLESS ANGLE GRINDER



(TH) DGA405 / 100MM CORDLESS ANGLE GRINDER



| | |
|-----------|-----------------|
| TH | THAILAND |
|-----------|-----------------|

DGA405 / 100MM CORDLESS ANGLE GRINDER

| Item | Sub | Parts No. | Parts Description | Qty | I/C | E/C No. | Close No. | Remark |
|-------|-----|-----------|--------------------------------|-----|-----|---------|-----------|--------|
| 001 | | 629139-6 | STATOR COMPLETE | 1 | | | B0251 | |
| 001-1 | | 629174-4 | STATOR COMPLETE | 1 | O | B0251 | DE703 | |
| 001-2 | | 629B61-9 | STATOR | 1 | S | DE703 | | |
| 002 | | 211021-9 | BALL BEARING 607LLB | 1 | | | | |
| 003 | | 510297-8 | ROTOR ASS'Y | 1 | | | Y07341 | |
| | D10 | | INC. 2 | | | | Y07341 | |
| 003-1 | | 510300-5 | ROTOR ASS'Y | 1 | O | Y07341 | D7193 | |
| | D10 | | INC. 2 | | | Y07341 | D7193 | |
| 003-2 | | 510300-5 | ROTOR ASS'Y | 1 | O | D7193 | | |
| | D10 | | INC. 2 | | | D7193 | | |
| 004 | | 319214-3 | GEAR HOUSING COVER | 1 | | | | |
| 005 | | 213445-5 | O-RING 26 | 1 | | | | |
| 006 | | 210042-8 | BALL BEARING 629LLB | 1 | | | | |
| 007 | | 227541-3 | SPIRAL BEVEL GEAR 10 | 1 | | | C3594 | |
| 007-1 | | 226861-2 | SPIRAL BEVEL GEAR 10 | 1 | S | C3594 | | |
| 008 | | 252186-8 | HEX. NUT M6 | 1 | | | | |
| 009 | | 417771-6 | PIN CAP | 1 | | | | |
| 010 | | 233072-2 | COMPRESSION SPRING 8 | 1 | | | | |
| 011 | | 266361-0 | TAPPING SCREW 4X30 | 4 | | | | |
| 012 | | 213960-9 | O RING 5 | 1 | | | | |
| 013 | | 256546-6 | SHOULDER PIN 4 | 1 | | | | |
| 014 | | 319213-5 | GEAR HOUSING | 1 | | | | |
| 015 | | 263002-9 | RUBBER PIN 4 | 1 | | | | |
| 016 | | 210006-2 | BALL BEARING 696ZZ | 1 | | | | |
| 017 | | 233950-6 | RING SPRING 11 | 1 | | | | |
| 018 | | 227641-9 | SPIRAL BEVEL GEAR 37 | 1 | | | C3594 | |
| 018-1 | | 226862-0 | SPIRAL BEVEL GEAR 37 | 1 | S | C3594 | | |
| 019 | | 962151-6 | RETAINING RING R-32 | 1 | | | | |
| 020 | | 211129-9 | BALL BEARING 6201DDW | 1 | | | | |
| 021 | | 267113-2 | FLAT WASHER 12 | 1 | | | D7262 | |
| 021-1 | | 267238-2 | FLAT WASHER 12 | 1 | O | D7262 | | |
| 022 | | 213622-9 | O RING 45 | 1 | | | | |
| 023 | | 318331-6 | BEARING BOX | 1 | | | | |
| 024 | | 911121-2 | PAN HEAD SCREW M4X14 | 4 | | | | |
| 025 | | 345464-4 | LABYRINTH RING | 1 | | | | |
| 026 | | 324956-6 | SPINDLE | 1 | | | | |
| 027 | | 122893-6 | TOOLLESS WHEEL COVER 100K ASSY | 1 | | | | |
| | C10 | 213009-5 | O RING 4 | 1 | | | | |
| | C20 | 265180-1 | PAN HEAD SCREW M5X16 | 1 | | | | |
| 028 | | 224314-5 | INNER FLANGE 30 | 1 | | | | |
| 029 | | 224559-5 | LOCK NUT 10-30 | 1 | | | | |
| 030 | | 850K91-5 | DGA405 NAME PLATE | 1 | | | DN909 | |
| 030-1 | | 8140K3-3 | DGA405 NAME PLATE | 1 | < | DN909 | | |
| 031 | | 266326-2 | TAPPING SCREW 4X18 | 5 | | | | |
| 032 | | 455450-8 | DUST COVER R | 1 | | | | |
| 033 | | 183A52-3 | MOTOR HOUSING SET | 1 | | | | |
| | C10 | 263005-3 | RUBBER PIN 6 | 2 | | | | |
| | D10 | | INC. 41 | | | | | |
| 036 | | 632E12-1 | SWITCH UNIT | 1 | | | | |
| 037 | | 234357-9 | COMPRESSION SPRING 11 | 1 | | | | |
| 038 | | 142976-6 | SWITCH LEVER COMPLETE | 1 | | | | |
| 039 | | 142901-7 | INDICATOR PANEL COMPLETE | 1 | | | | |
| 040 | | 650734-1 | SWITCH TG73BDS-2 | 1 | | | | |
| 041 | | 183A52-3 | MOTOR HOUSING SET | 1 | | | | |
| | C10 | 263005-3 | RUBBER PIN 6 | 2 | | | | |
| | D10 | | INC. 33 | | | | | |
| 042 | | 455449-3 | DUST COVER L | 1 | | | | |
| 043 | | 643899-6 | TERMINAL | 1 | | | | |
| 046 | | 850K94-9 | DGA405 SERIAL NO. LABEL | 1 | | | | |
| 047 | | 620K13-7 | CONTROLLER | 1 | S | DE703 | | |
| 048 | | 652119-7 | PAN HEAD SCREW M2X6 | 6 | S | DE703 | | |
| A01 | | A-80852 | GRINDING WHEEL 100X6X16 | 1 | | | | |
| A02 | | 158237-4 | GRIP 36 COMPLETE | 1 | | | | |
| A03 | | 782420-7 | LOCK NUT WRENCH 20 | 1 | | | | |
| A04B | | ***DC18RC | DC18RC FAST CHARGER | 1 | | | | |

A:DGA405Z(N)
 B:DGA405RFE(H)
 C:DGA405SYE(H)

Interchange
 O : Yes
 X : No
 < : the new part can be substituted for the current.
 > : the current part can be substituted for the new.
 S : Interchangeable as a set.

