



TH	THAILAND
----	----------

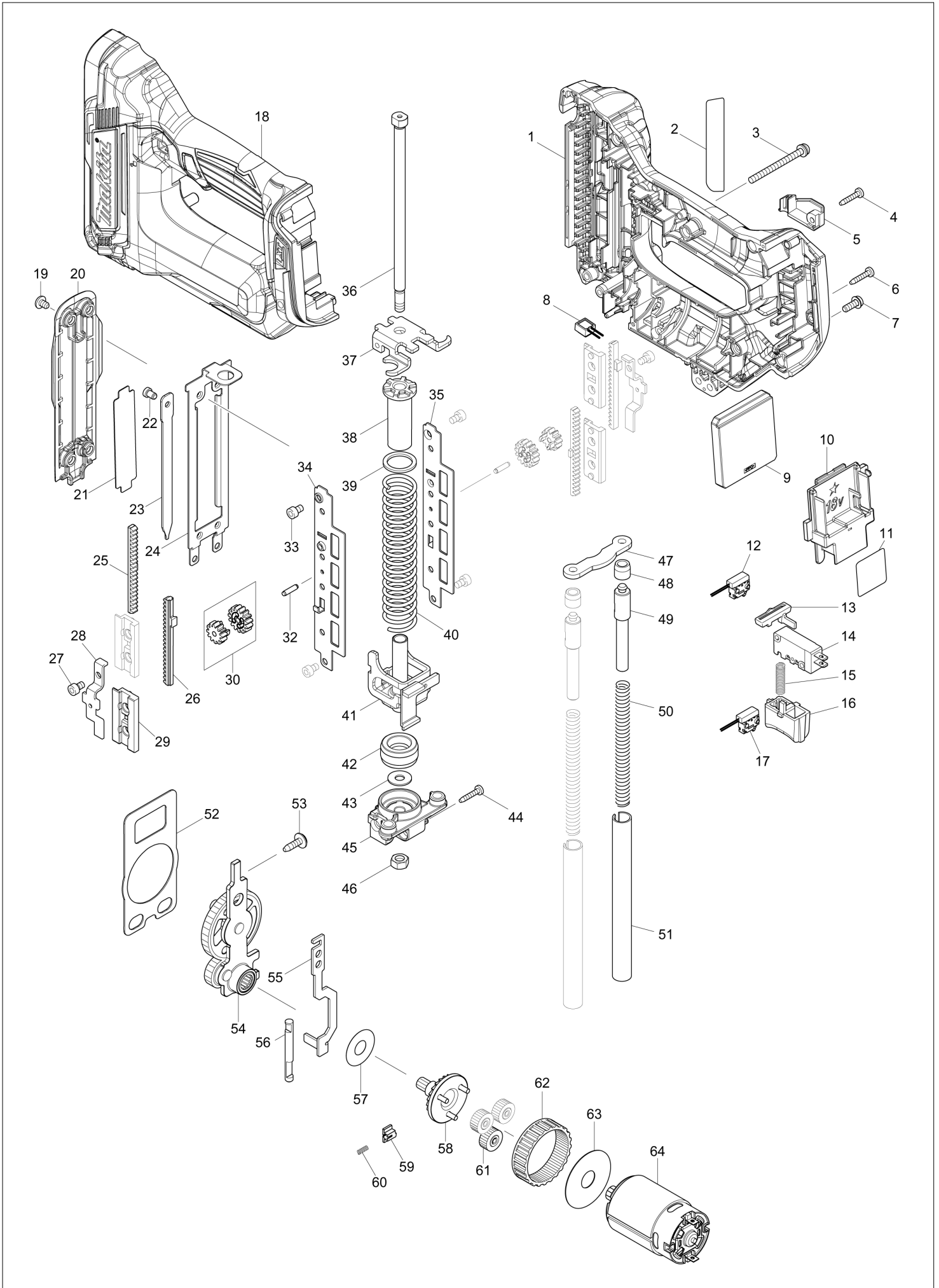
Diagram / Parts List

DFN350

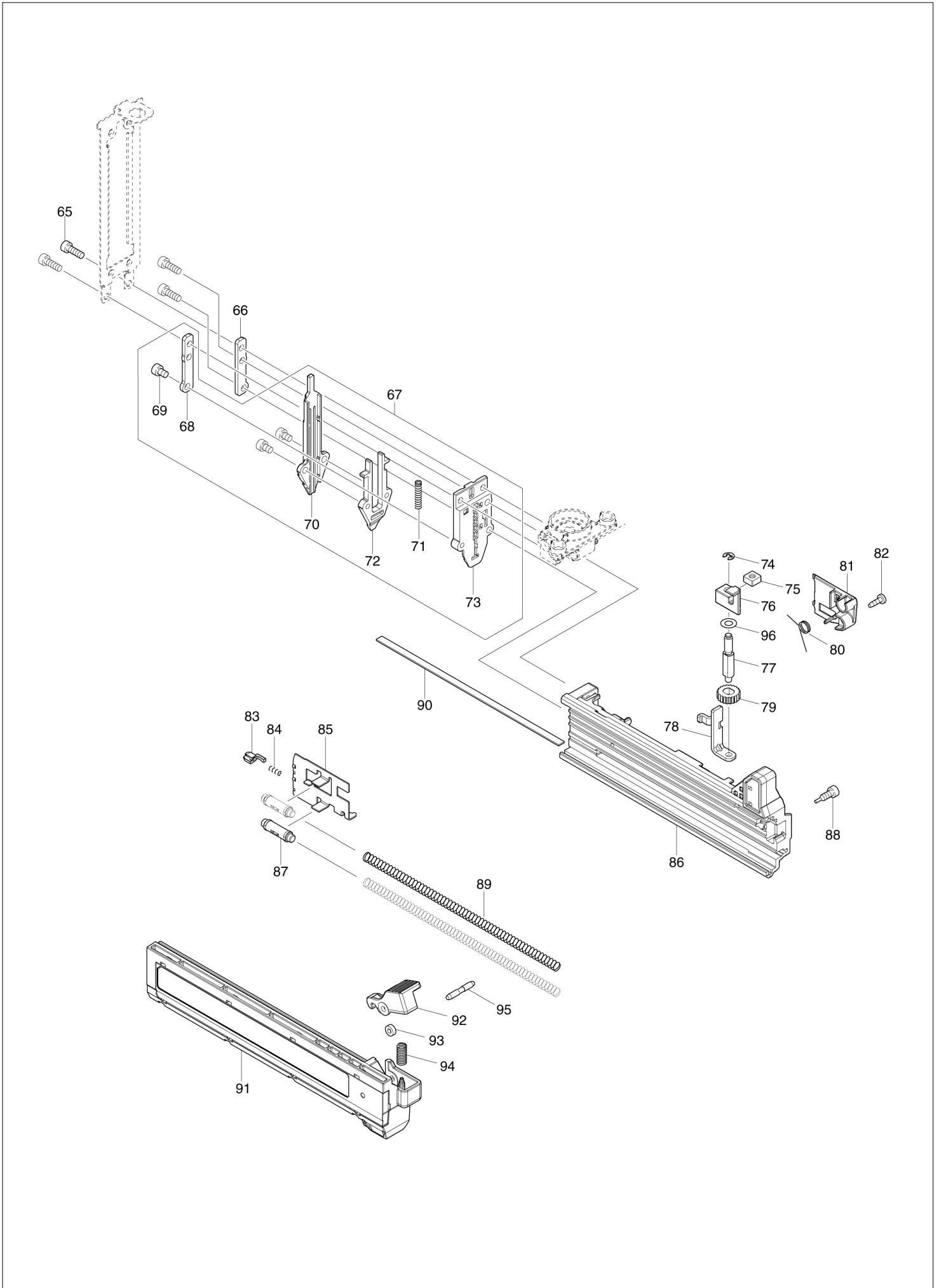
35MM CORDLESS BRAD NAILER



(TH) DFN350 / 35MM CORDLESS BRAD NAILER



(TH) DFN350 / 35MM CORDLESS BRAD NAILER



TH	THAILAND
-----------	-----------------

DFN350 / 35MM CORDLESS BRAD NAILER

Item	Sub	Parts No.	Parts Description	Qty	I/C	E/C No.	Close No.	Remark
001		183L67-6	HOUSING SET	1				
	C10	263005-3	RUBBER PIN 6	2				
	C20	252126-6	HEX. LOCK NUT M4-7	2				
	C30	931102-0	HEX. NUT M4	1				
	D10		INC. 18					
002		855T69-7	DFN350 NAME PLATE	1				
003		911173-3	PAN HEAD SCREW M4X45	1				
004		266130-9	TAPPING SCREW BIND PT 3X16	1				
005		457385-9	HOUSING R COVER	1				
006		266130-9	TAPPING SCREW BIND PT 3X16	8				
007		911118-1	PAN HEAD SCREW M4X12	2				
008		620507-6	LED CIRCUIT	1				
009		632N39-5	CONTROLLER UNIT	1				
010		643860-3	TERMINAL	1				
011		855T76-0	DFN350 SERIAL NO. LABEL	1				
012		632G60-2	SWITCH UNIT	1				
013		456799-9	TRIGGER LOCK	1				
014		651910-0	SWITCH D2VW-01-3HS	1				
015		232370-1	COMPRESSION SPRING 5	1				
016		457386-7	TRIGGER	1			D3736	
016-1		412772-9	TRIGGER	1	<	D3736		
017		632K06-2	SWITCH UNIT	1				
018		183L67-6	HOUSING SET	1				
	C10	263005-3	RUBBER PIN 6	2				
	C20	252126-6	HEX. LOCK NUT M4-7	2				
	C30	931102-0	HEX. NUT M4	1				
	D10		INC. 1					
019		915101-0	BINDING HEAD SCREW M4X6	4				
020		459369-3	FRONT COVER	1				
021		347528-0	UPPER PLATE	1				
022		256882-0	FLAT FILLISTER HD. PIN 4	1				
023		347519-1	DRIVER	1				
024		347521-4	RAIL	1				
025		310924-5	COUNTER WEIGHT A	2			DB646	
025-1		313421-0	COUNTER WEIGHT A	2	<	DB646		
026		310925-3	COUNTER WEIGHT B	2				
027		251566-5	H.S.H BOLT M4X6 WITH W	2				
028		347146-4	PINION GUIDE	2				
029		457390-6	COUNTER WEIGHT HOLDER	4			DF034	
029-1		413330-4	COUNTER WEIGHT HOLDER	4	O	DF034		
030		136104-3	SPUR GEAR ASSEMBLY	2				
032		326902-5	PINION SHAFT	2				
033		266199-3	HEX.SOCKET HEAD BOLT M4X6	4				
034		347145-6	GUIDE RAIL R	1				
035		347144-8	GUIDE RAIL L	1				
036		326903-3	GUIDE BOLT	1				
037		347526-4	BOTTOM PLATE	1			D4555	
037-1		347728-2	BOTTOM PLATE	1	S	D4555		
038		459311-4	SPRING HOLDER	1				
039		347522-2	SPRING BASE	1				
040		232511-9	COMPRESSION SPRING 17	1				
041		347524-8	HAMMER	1			C9437	
041-1		347657-9	HAMMER	1	<	C9437	D4555	
041-2		347735-5	HAMMER	1	S	D4555		
042		422457-9	CUSHION	1				
043		253804-1	FLAT WASHER 6	1				
044		266130-9	TAPPING SCREW BIND PT 3X16	1			C9832	
045		319824-6	HOLDER	1			D0633	
045-1		319965-8	HOLDER	1	<	D0633		
046		252273-3	HEX. NUT M6	1				
047		347527-2	COUNTER STOPPER	1			D4555	
047-1		347729-0	COUNTER STOPPER	1	S	D4555		
048		422456-1	COUNTER CUSHION	2			D4555	
048-1		422592-3	COUNTER CUSHION	2	S	D4555		
049		326904-1	WEIGHT	2			D4555	

A:DFN350Z(N)
B:DFN350RFE(H)

Interchange
O : Yes
X : No
< : the new part can be substituted for the current.
> : the current part can be substituted for the new.
S : Interchangeable as a set.

TH	THAILAND
-----------	-----------------

DFN350 / 35MM CORDLESS BRAD NAILER

Item	Sub	Parts No.	Parts Description	Qty	I/C	E/C No.	Close No.	Remark
049-1		327591-9	WEIGHT	2	S	D4555		
050		232363-8	COMPRESSION SPRING 7	2				
051		327328-4	GUIDE PIPE	2			D4555	
051-1		327592-7	GUIDE PIPE	2	S	D4555		
052		347525-6	GEAR PLATE	1				
053		266901-4	TAPPING SCREW 4X14	1				
054		140K45-3	SPUR GEAR 61 COMPLETE	1			D5317	
054-1		140Y96-0	SPUR GEAR 61 COMPLETE	1	<	D5317		
055		347139-1	LOCK ARM	1				
056		327327-6	LOCK PIN	1				
057		253353-8	THIN WASHER 10	1				
058		140K48-7	SPUR GEAR 8 COMPLETE	1				
059		310945-7	LOCK BLOCK	1				
060		232513-5	COMPRESSION SPRING 3	1				
061		221961-3	SPUR GEAR 27	3				
062		227166-3	INTERNAL GEAR 69	1				
063		267053-4	FLAT WASHER 12	1				
064		629408-5	DC MOTOR	1				
065		922117-8	HEX. SOCKET HEAD BOLT M4X12	4			DG869	
065-1		922127-5	HEX. SOCKET HEAD BOLT M4X16	2	S	DG869		
066		347523-0	PLATE	1				
067		127291-9	DRIVER GUIDE ASSEMBLY	1				
	D10		INC. 68-73					
068		347523-0	PLATE	1				
069		922102-1	HEX. SOCKET HEAD BOLT M4X6	3				
070		310942-3	DRIVER GUIDE	1				
071		232512-7	COMPRESSION SPRING 3	1				
072		310943-1	CENTER PLATE	1				
073		310941-5	SET PLATE	1				
074		961017-7	STOP RING E-3	1				
075		264050-1	SQUARE NUT M5-8	1			C9157	
075-1		264050-1	SQUARE NUT M5-8	1	S	C9157		
076		459309-1	CONTACT ARM	1			C9157	
076-1		412237-1	CONTACT ARM	1	<	C9157	D4649	
076-2		412726-6	CONTACT ARM	1	S	D4649		
077		327326-8	ADJUSTER SHAFT	1				
078		347529-8	ARM	1				
079		459310-6	ADJUSTER	1				
080		232514-3	TORSION SPRING 7	1				
081		459312-2	ADJUSTER COVER	1				
082		266007-8	TAPPING SCREW BIND PT 3X10	1				
083		310176-8	STOPPER	1				
084		233018-8	COMPRESSION SPRING 3	1				
085		347520-6	PUSHER	1				
086		459305-9	MAGAZINE	1				
087		459313-0	SLEEVE	2				
088		265A52-6	HEX. SOCKET HEAD BOLT M4X14	1				
089		234325-2	COMPRESSION SPRING 6	2				
090		346774-2	NAIL PLATE	1				
091		140K97-4	SLIDE DOOR COMPLETE	1				
092		457388-3	LEVER	1				
093		262054-7	URETHANE RING 3	1				
094		233117-6	COMPRESSION SPRING 6	1				
095		256877-3	PIN 3	1				
096		253334-2	THIN WASHER 5	1			D4649	
096-1		267010-2	FLAT WASHER 5	1	S	D4649		
097		922117-8	HEX. SOCKET HEAD BOLT M4X12	2	S	DG869		
A01		195246-2	SAFETY GOGGLE	1			DJ640	
A02		251314-2	+ SCREW M4X12	1				
A03		346317-0	HOOK	1				
A04		422464-2	NOSE ADAPTER	1				
A05		783201-2	HEX. WRENCH 3	1				
A06B		140J12-2	PLASTIC CASE COMPLETE	1			D2231	
	C10	162302-3	LATCH	2			D2231	
	C20	324319-6	SHAFT	1			D2231	

A:DFN350Z(N)
B:DFN350RFE(H)

Interchange
O : Yes
X : No
< : the new part can be substituted for the current.
> : the current part can be substituted for the new.
S : Interchangeable as a set.

