



TH	THAILAND
----	----------

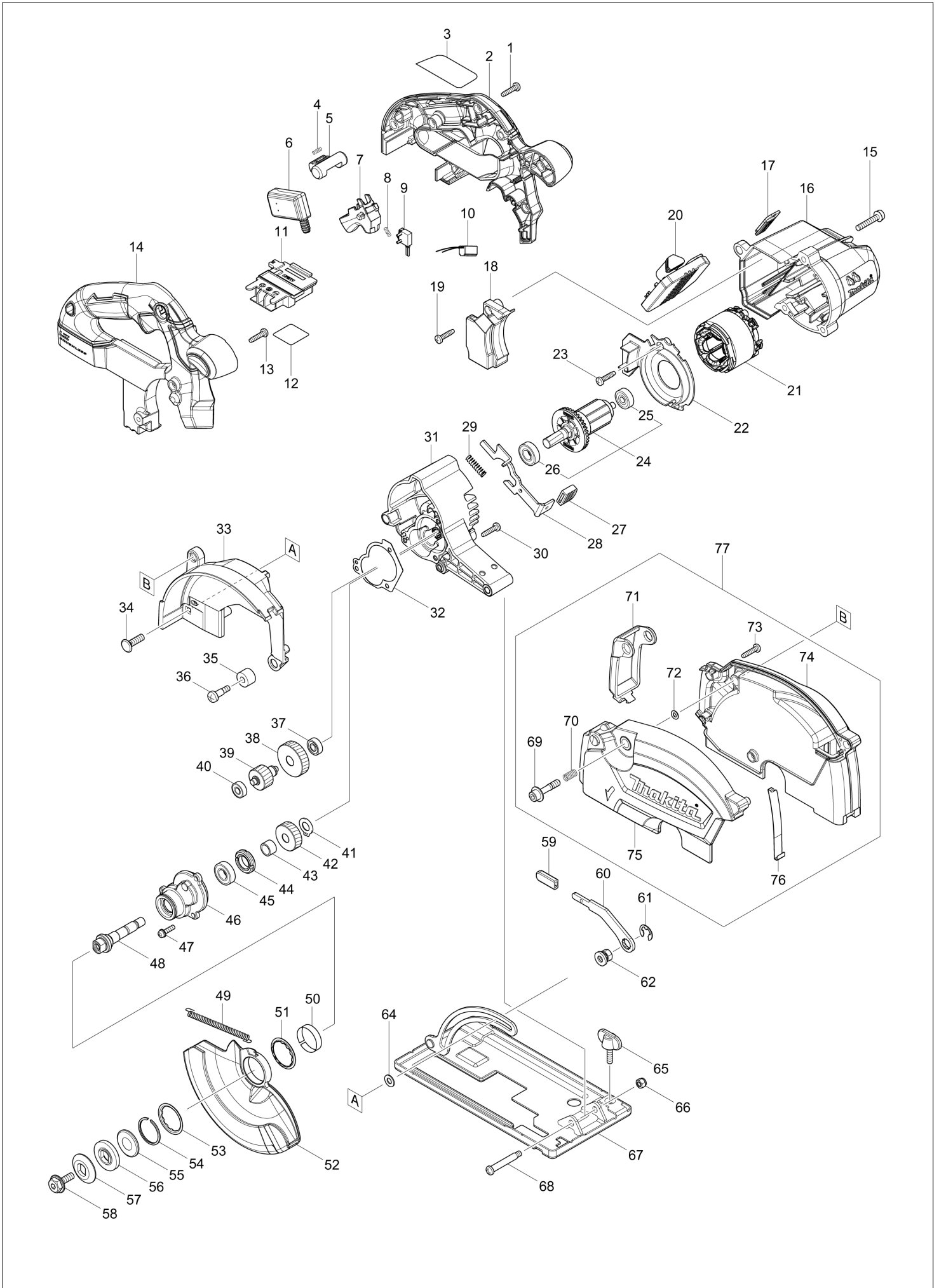
Diagram / Parts List

DCS553

150MM CORDLESS METAL CUTTER



(TH) DCS553 / 150MM CORDLESS METAL CUTTER



TH	THAILAND
-----------	-----------------

DCS553 / 150MM CORDLESS METAL CUTTER

Item	Sub	Parts No.	Parts Description	Qty	I/C	E/C No.	Close No.	Remark
001		265995-6	TAPPING SCREW 4X18	6				
002		183K13-3	HANDLE SET	1				
	C10	263005-3	RUBBER PIN 6	2				
	D10		INC. 14					
003		854S64-8	DCS553 NAME PLATE	1				
004		231433-0	COMPRESSION SPRING 4	1				
005		419704-7	LOCK OFF BUTTON	1				
006		651083-9	SWITCH C3XA-1PSPM	1				
007		458594-3	SWITCH LEVER	1				
008		231433-0	COMPRESSION SPRING 4	1				
009		632M68-2	SWITCH UNIT	1				
010		620936-3	LED CIRCUIT	1				
011		643874-2	TERMINAL	1				
012		854S72-9	DCS553 SERIAL NO. LABEL	1				
013		265995-6	TAPPING SCREW 4X18	2				
014		183K13-3	HANDLE SET	1				
	C10	263005-3	RUBBER PIN 6	2				
	D10		INC. 2					
015		911253-5	PAN HEAD SCREW M5X30	3				
016		458656-7	MOTOR HOUSING	1				
017		144251-6	INDICATION PLATE COMPLETE	1				
018		458657-5	MOTOR HOUSING COVER	1				
019		265995-6	TAPPING SCREW 4X18	1				
020		620938-9	CONTROLLER	1			DJ461	
020-1		620L75-1	CONTROLLER	1	S	DJ461		
021		629368-1	STATOR	1			DJ461	
021-1		629C04-7	STATOR	1	S	DJ461		
022		458658-3	BAFFLE PLATE	1				
023		265995-6	TAPPING SCREW 4X18	2				
024		519530-5	ROTOR ASS'Y	1			D0287	
	D10		INC. 25,26				D0287	
024-1		510437-8	ROTOR ASS'Y	1	<	D0287	DF420	
	D10		INC. 25,26			D0287	DF420	
024-2		510437-8	ROTOR ASS'Y	1	O	DF420		
	D10		INC. 25,26			DF420		
025		210022-4	BALL BEARING 626DDW	1				
026		210069-8	BALL BEARING 6900DDW	1			D0287	
026-1		210214-5	BALL BEARING 6900DDW	1	<	D0287		
027		286039-9	CAP	1				
028		346885-3	SHAFT LOCK	1				
029		233117-6	COMPRESSION SPRING 6	1				
030		265995-6	TAPPING SCREW 4X18	2				
031		140D79-4	GEAR HOUSING COMPLETE	1				
	C10	213961-7	O RING 22	1				
032		424715-9	GASKET	1				
033		458661-4	BLADE CASE	1				
034		266737-1	FLAT HEAD SQ. NECK BOLT M6X20	1				
035		262511-5	RUBBER SLEEVE 6	1				
036		265115-2	+ PAN HEAD SCREW M5	1				
037		210065-6	BALL BEARING 625ZZ	1				
038		227809-7	HELICAL GEAR 30	1				
039		227807-1	HELICAL GEAR 17	1				
040		210033-9	BALL BEARING 696ZZ	1				
041		961005-4	RETAINING RING S-9	1				
042		227808-9	HELICAL GEAR 24	1				
043		257728-3	SLEEVE 10	1				
044		285847-5	BEARING RETAINER 14-23	1				
045		210069-8	BALL BEARING 6900DDW	1			D0287	
045-1		210214-5	BALL BEARING 6900DDW	1	<	D0287		
046		143228-8	BEARING BOX COMPLETE	1				
	C10	263002-9	RUBBER PIN 4	1				
047		911128-8	P.H.SCREW M4X16 WITH WR	3				
048		326540-3	SPINDLE	1				
049		231792-2	TENSION SPRING 3	1				
050		345470-9	THICKNESS RING	1				

A:DCS553Z(N)
B:DCS553RTJ(H)

Interchange
O : Yes
X : No
< : the new part can be substituted for the current.
> : the current part can be substituted for the new.
S : Interchangeable as a set.

