



TH	THAILAND
----	----------

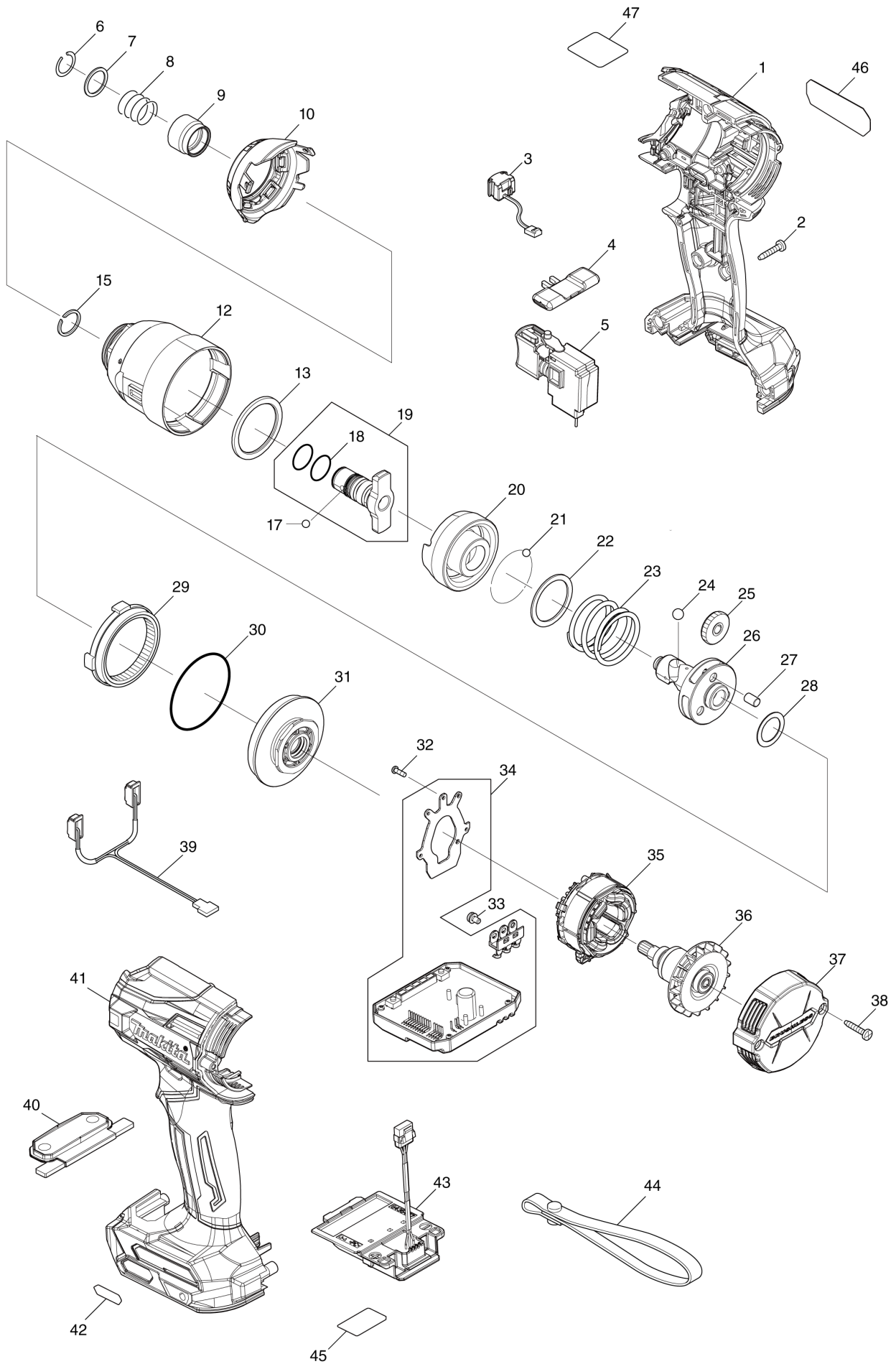
# Diagram / Parts List

**TD001G**

**CORDLESS IMPACT DRIVER**



(TH) TD001G / CORDLESS IMPACT DRIVER



TH	THAILAND
----	----------

### TD001G / CORDLESS IMPACT DRIVER

Item	Sub	Parts No.	Parts Description	Qty	I/C	E/C No.	Close No.	Remark
001A		183P56-5	HOUSING SET	1			D8568	
	C10	263005-3	RUBBER PIN 6	2			D8568	
	C20	252126-6	HEX. LOCK NUT M4-7	2			D8568	
	C30	422616-5	SPONGE SHEET	1			D8568	
	D10		INC. 41				D8568	
001B		183P56-5	HOUSING SET	1			D8568	
	C10	263005-3	RUBBER PIN 6	2			D8568	
	C20	252126-6	HEX. LOCK NUT M4-7	2			D8568	
	C30	422616-5	SPONGE SHEET	1			D8568	
	D10		INC. 41				D8568	
001C		183P56-5	HOUSING SET	1			D8568	
	C10	263005-3	RUBBER PIN 6	2			D8568	
	C20	252126-6	HEX. LOCK NUT M4-7	2			D8568	
	C30	422616-5	SPONGE SHEET	1			D8568	
	D10		INC. 41				D8568	
001-1A		183P56-5	HOUSING SET	1	O	D8568		
	C10	263005-3	RUBBER PIN 6	2		D8568		
	C20	252126-6	HEX. LOCK NUT M4-7	2		D8568		
	D10		INC. 41			D8568		
001-1B		183P56-5	HOUSING SET	1	O	D8568		
	C10	263005-3	RUBBER PIN 6	2		D8568		
	C20	252126-6	HEX. LOCK NUT M4-7	2		D8568		
	D10		INC. 41			D8568		
001-1C		183P56-5	HOUSING SET	1	O	D8568		
	C10	263005-3	RUBBER PIN 6	2		D8568		
	C20	252126-6	HEX. LOCK NUT M4-7	2		D8568		
	D10		INC. 41			D8568		
001-1D		183P56-5	HOUSING SET	1				
	C10	263005-3	RUBBER PIN 6	2				
	C20	252126-6	HEX. LOCK NUT M4-7	2				
	D10		INC. 41					
001-1E		183P56-5	HOUSING SET	1				
	C10	263005-3	RUBBER PIN 6	2				
	C20	252126-6	HEX. LOCK NUT M4-7	2				
	D10		INC. 41					
001-1F		183W59-1	HOUSING SET	1				
	C10	263005-3	RUBBER PIN 6	2				
	C20	252126-6	HEX. LOCK NUT M4-7	2				
	C30	422616-5	SPONGE SHEET	1				
	D10		INC. 41					
002		266130-9	TAPPING SCREW BIND PT 3X16	8				
003		632L84-8	SWITCH UNIT	1				
004		455053-8	F/R CHANGE LEVER	1				
005		651442-7	SWITCH C3JR-1A-1	1				
006		231952-6	RING SPRING 12	1				
007		267101-9	FLAT WASHER 14	1				
008		232592-3	COMPRESSION SPRING 14	1				
009		327531-7	BIT SLEEVE	1			DB090	
009-1		327960-4	BIT SLEEVE	1	O	DB090	DG954	
009-2		327959-9	BIT SLEEVE	1	S	DG954		
010		136171-8	HAMMER CASE COVER ASSY	1				
	C10	422269-0	BUMPER	1				
012		140R47-1	HAMMER CASE COMPLETE	1				
	C10	210177-5	BALL BEARING 68/14LLU	2				
	C20	267063-1	FLAT WASHER 18	1				
	C30	962113-4	RETAINING RING R-24	1				
013		261160-5	NYLON WASHER 30	1				
014		232593-1	SPRING 12	1	S	DG954		
015		259075-8	RETAINING RING(EXT) WR-14	1				
017		216001-0	STEEL BALL 3.5	2				
018		213118-0	O RING 12	2				
019		136204-9	ANVIL N ASS'Y	1			DG954	
	D10		INC. 18				DG954	
019-1		136168-7	ANVIL N ASSY	1	S	DG954		
	D10		INC. 18			DG954		

A:TD001GZ02(N)  
 B:TD001GM201(H)  
 C:TD001GD201(H)  
 D:TD001GD101(H)  
 E:TD001GM101(H)  
 F:TD001GD105(H)

Interchange  
 O : Yes  
 X : No  
 < : the new part can be substituted for the current.  
 > : the current part can be substituted for the new.  
 S : Interchangeable as a set.

TH	THAILAND
----	----------

### TD001G / CORDLESS IMPACT DRIVER

Item	Sub	Parts No.	Parts Description	Qty	I/C	E/C No.	Close No.	Remark
020		327525-2	HAMMER	1				
021		216001-0	STEEL BALL 3.5	25				
022		267342-7	FLAT WASHER 26	1				
023		232591-5	COMPRESSION SPRING 25	1				
024		216013-3	STEEL BALL 6	2				
025A		226960-0	SPUR GEAR 24	3			D9357	
025B		226960-0	SPUR GEAR 24	3			D9357	
025C		226960-0	SPUR GEAR 24	3			D9357	
025-1A		227915-8	SPUR GEAR 24	3	<	D9357	DA371	
025-1B		227915-8	SPUR GEAR 24	3	<	D9357	DA371	
025-1C		227915-8	SPUR GEAR 24	3	<	D9357	DA371	
025-2A		227926-3	SPUR GEAR 24	3	<	DA371		
025-2B		227926-3	SPUR GEAR 24	3	<	DA371		
025-2C		227926-3	SPUR GEAR 24	3	<	DA371		
025-2D		227926-3	SPUR GEAR 24	3				
025-2E		227926-3	SPUR GEAR 24	3				
025-2F		227926-3	SPUR GEAR 24	3				
026		327524-4	SPINDLE	1				
027		268311-1	PIN 5	3				
028		267194-6	FLAT WASHER 15	1				
029		226961-8	INTERNAL GEAR 56	1				
030		213892-0	O-RING 43	1				
031		140R48-9	BEARING BOX COMPLETE	1				
032		266490-9	TAPPING SCREW PT 2X6	3				
033		652069-6	FLAT HEAD SCREW M3X6	3				
034		620B96-3	CONTROLLER	1				
035		629464-5	STATOR	1				
036		619605-1	ROTOR	1				
037A		412339-3	REAR COVER	1				
037B		412339-3	REAR COVER	1				
037C		412339-3	REAR COVER	1				
037D		412339-3	REAR COVER	1				
037E		412339-3	REAR COVER	1				
037F		413612-4	REAR COVER	1				
038		266130-9	TAPPING SCREW BIND PT 3X16	2				
039		620B97-1	LED CIRCUIT	1				
040		140R54-4	SWITCH PLATE COMPLETE	1				
	C10	8011F4-1	SWITCH LABEL	1				
041A		183P56-5	HOUSING SET	1			D8568	
	C10	263005-3	RUBBER PIN 6	2			D8568	
	C20	252126-6	HEX. LOCK NUT M4-7	2			D8568	
	C30	422616-5	SPONGE SHEET	1			D8568	
	D10		INC. 1				D8568	
041B		183P56-5	HOUSING SET	1			D8568	
	C10	263005-3	RUBBER PIN 6	2			D8568	
	C20	252126-6	HEX. LOCK NUT M4-7	2			D8568	
	C30	422616-5	SPONGE SHEET	1			D8568	
	D10		INC. 1				D8568	
041C		183P56-5	HOUSING SET	1			D8568	
	C10	263005-3	RUBBER PIN 6	2			D8568	
	C20	252126-6	HEX. LOCK NUT M4-7	2			D8568	
	C30	422616-5	SPONGE SHEET	1			D8568	
	D10		INC. 1				D8568	
041-1A		183P56-5	HOUSING SET	1	O	D8568		
	C10	263005-3	RUBBER PIN 6	2		D8568		
	C20	252126-6	HEX. LOCK NUT M4-7	2		D8568		
	D10		INC. 1			D8568		
041-1B		183P56-5	HOUSING SET	1	O	D8568		
	C10	263005-3	RUBBER PIN 6	2		D8568		
	C20	252126-6	HEX. LOCK NUT M4-7	2		D8568		
	D10		INC. 1			D8568		
041-1C		183P56-5	HOUSING SET	1	O	D8568		
	C10	263005-3	RUBBER PIN 6	2		D8568		
	C20	252126-6	HEX. LOCK NUT M4-7	2		D8568		
	D10		INC. 1			D8568		

A:TD001GZ02(N)  
 B:TD001GM201(H)  
 C:TD001GD201(H)  
 D:TD001GD101(H)  
 E:TD001GM101(H)  
 F:TD001GD105(H)

Interchange  
 O : Yes  
 X : No  
 < : the new part can be substituted for the current.  
 > : the current part can be substituted for the new.  
 S : Interchangeable as a set.

<b>TH</b>	<b>THAILAND</b>
-----------	-----------------

### TD001G / CORDLESS IMPACT DRIVER

Item	Sub	Parts No.	Parts Description	Qty	I/C	E/C No.	Close No.	Remark
041-1D		183P56-5	HOUSING SET	1				
	C10	263005-3	RUBBER PIN 6	2				
	C20	252126-6	HEX. LOCK NUT M4-7	2				
	D10		INC. 1					
041-1E		183P56-5	HOUSING SET	1				
	C10	263005-3	RUBBER PIN 6	2				
	C20	252126-6	HEX. LOCK NUT M4-7	2				
	D10		INC. 1					
041-1F		183W59-1	HOUSING SET	1				
	C10	263005-3	RUBBER PIN 6	2				
	C20	252126-6	HEX. LOCK NUT M4-7	2				
	C30	422616-5	SPONGE SHEET	1				
	D10		INC. 1					
042		8007R2-2	XGT LOGO LABEL	1				
043		632P49-4	TERMINAL UNIT	1				
045		856V15-5	TD001G SERIAL NO. LABEL	1				
046		856V08-2	TD001G NAME PLATE	1				
A01		266622-8	+ TRUSS HEAD SCREW M4X12	1				
A02		346317-0	HOOK	1				
A04B		412393-7	BATTERY COVER	1				
A04C		412393-7	BATTERY COVER	1				
A05B		191B32-1	BATTERY BL4040 SET	2				
A05C		191B42-8	BATTERY BL4025 SET	2				
A05D		191B42-8	BATTERY BL4025 SET	1				
A05E		191B32-1	BATTERY BL4040 SET	1				
A05F		191B42-8	BATTERY BL4025 SET	1				
A06B		***DC40RA	DC40RA FAST CHARGER	1				
	D10		COMPO-PARTS					
A06C		***DC40RA	DC40RA FAST CHARGER	1				
	D10		COMPO-PARTS					
A06D		***DC40RA	DC40RA FAST CHARGER	1				
	D10		COMPO-PARTS					
A06E		***DC40RA	DC40RA FAST CHARGER	1				
	D10		COMPO-PARTS					
A06F		***DC40RA	DC40RA FAST CHARGER	1				
	D10		COMPO-PARTS					
A07A		821550-0	CONNECTOR PLASTIC CASE (TYPE2)	1				
	C10	453974-8	LATCH	4				
A07B		821550-0	CONNECTOR PLASTIC CASE (TYPE2)	1				
	C10	453974-8	LATCH	4				
A07C		821550-0	CONNECTOR PLASTIC CASE (TYPE2)	1				
	C10	453974-8	LATCH	4				
A07D		821550-0	CONNECTOR PLASTIC CASE (TYPE2)	1				
	C10	453974-8	LATCH	4				
A07E		821550-0	CONNECTOR PLASTIC CASE (TYPE2)	1				
	C10	453974-8	LATCH	4				
A07F		821811-8	PLASTIC CASE	1				
	C10	458362-4	LATCH	3				
	C20	324679-6	SHAFT	1				
	C30	458363-2	HANDLE	1				
A08A		8011K3-8	TD001GZ02 PLASTIC CASE LABEL	2				
A08B		8011L2-7	TD001GM201 PLASTIC CASE LABEL	2				
A08C		8011K5-4	TD001GD201 PLASTIC CASE LABEL	2				
A08D		8056R2-1	TD001GD101 PLASTIC CASE LABEL	2				
A08F		8060A3-7	TD001GD105 PLASTIC CASE LABEL	2				
A09A		8011K2-0	TD001GZ02 INDICATION LABEL	1				
A09B		8011L1-9	TD001GM201 INDICATION LABEL	1				
A09C		8011K4-6	TD001GD201 INDICATION LABEL	1				
A09D		8049G3-7	TD001GD101 INDICATION LABEL	1				
A09E		8057M3-0	TD001GM101 MODEL NO. LABEL	1				
A10A		835F94-0	INNER TRAY	1				
A10B		835F94-0	INNER TRAY	1				
A10C		835F94-0	INNER TRAY	1				
A10D		835F94-0	INNER TRAY	1				
A10E		835F94-0	INNER TRAY	1				

A:TD001GZ02(N)  
 B:TD001GM201(H)  
 C:TD001GD201(H)  
 D:TD001GD101(H)  
 E:TD001GM101(H)  
 F:TD001GD105(H)

Interchange  
 O : Yes  
 X : No  
 < : the new part can be substituted for the current.  
 > : the current part can be substituted for the new.  
 S : Interchangeable as a set.

