



TH	THAILAND
----	----------

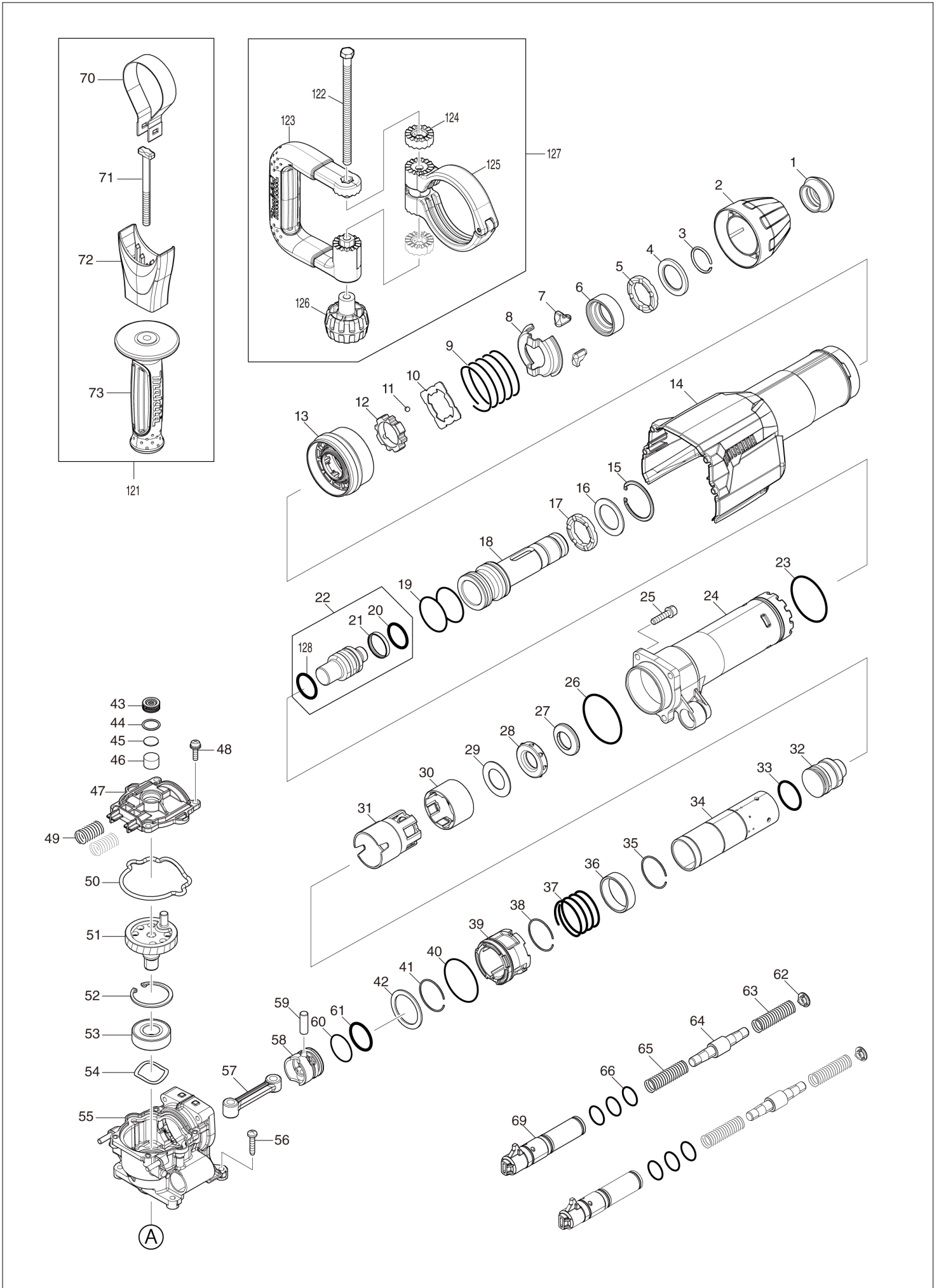
Diagram / Parts List

HM001G

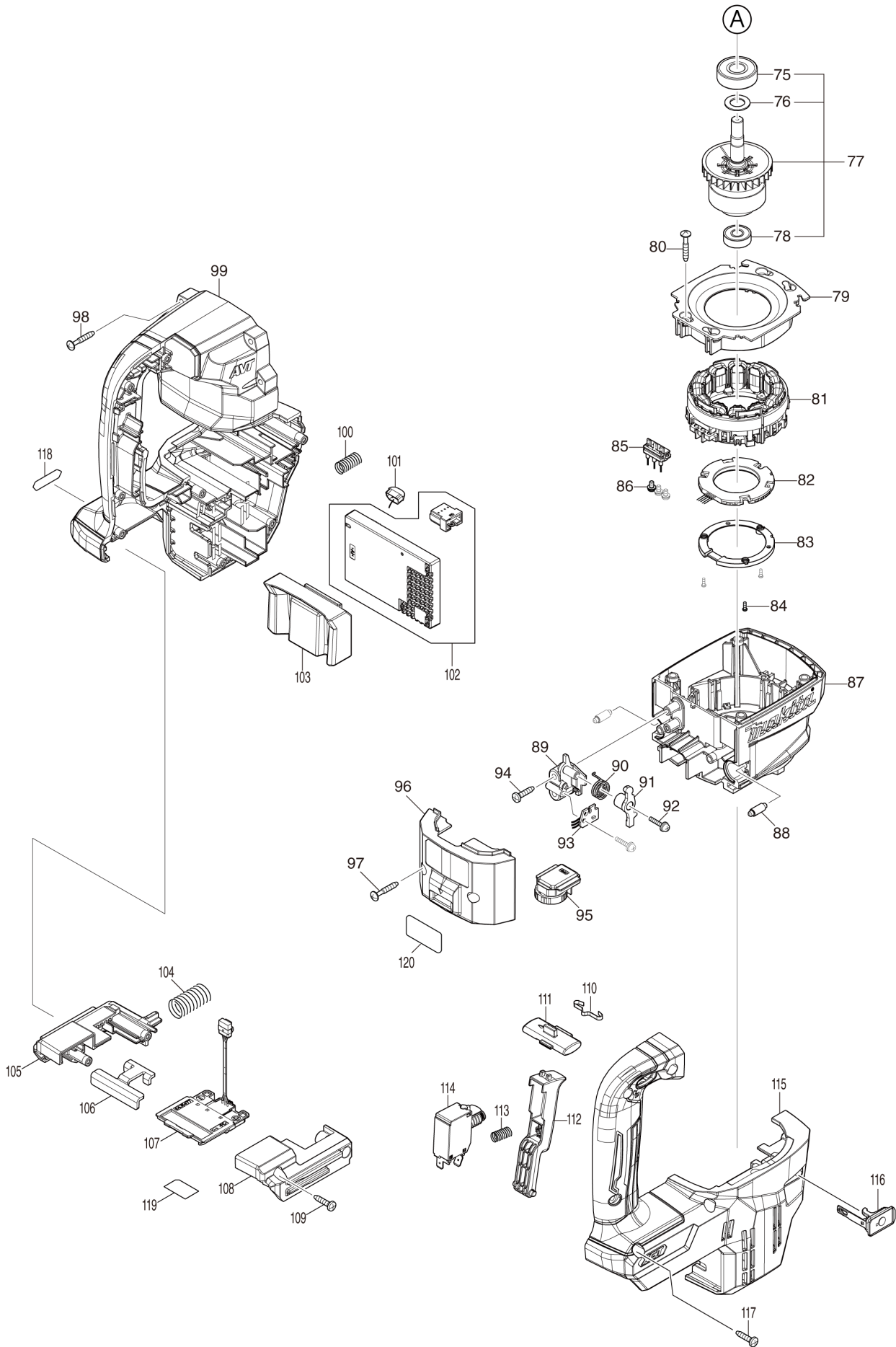
CORDLESS DEMOLITION HAMMER



(TH) HM001G / CORDLESS DEMOLITION HAMMER



(TH) HM001G / CORDLESS DEMOLITION HAMMER



TH	THAILAND
----	----------

HM001G / CORDLESS DEMOLITION HAMMER

Item	Sub	Parts No.	Parts Description	Qty	I/C	E/C No.	Close No.	Remark
001		286287-0	TOOL HOLDER CAP	1				
002		451432-8	CHUCK COVER	1				
003		231984-3	RING SPRING 25	1				
004		267272-2	FLAT WASHER 28	1				
005		424261-2	RUBBER RING 28	1				
006		331659-5	CHUCK RING	1				
007		310108-5	TOOL RETAINER	2				
008		346677-0	SPRING GUIDE	1				
009		233387-7	COMPRESSION SPRING 52	1				
010		346141-1	PLATE	1				
011		216002-8	STEEL BALL 4.8	4				
012		310145-9	LOCK RING	1				
013		451433-6	CHANGE RING	1				
014		412979-7	HOUSING COVER	1			D9474	
014-1		141F87-0	HOUSING COVER COMPLETE	1	<	D9474		
	C10	422809-4	FILTER	1		D9474	Y08581	
015		257960-9	RETAINING RING(INT) ROUND R-42	1				
016		267273-0	FLAT WASHER 29	1				
017		424261-2	RUBBER RING 28	1				
018		327778-3	TOOL HOLDER	1				
019		213789-3	O-RING 38	2				
020		213394-6	O RING 23	1				
021		213431-6	FLUORIDE RING 28	1				
022		136454-6	IMPACT BOLT ASSY	1				
	D10		INC. 20,21,128					
023		213286-9	O-RING 48	1				
024		312A51-0	BARREL	1				
025		922341-3	HEX. SOCKET HEAD BOLT M6X25	4				
026		213656-2	O RING 53	1				
027		325732-1	RING 20	1				
028		424245-0	RUBBER RING 20	1				
029		267407-5	FLAT WASHER 23	1				
030		451639-6	GUIDE RING	1				
031		412986-0	SLIDE SLEEVE	1				
032		324388-7	STRIKER	1				
033		213958-6	O RING 24	1				
034		327694-9	CYLINDER 32	1				
035		233927-1	RING SPRING 34	1				
036		331660-0	RING 36	1				
037		233407-7	COMPRESSION SPRING 37	1				
038		233927-1	RING SPRING 34	1				
039		318510-6	CYLINDER GUIDE	1				
040		213611-4	O RING 46	1				
041		233927-1	RING SPRING 34	1				
042		267079-6	FLAT WASHER 34	1				
043		419988-7	FILTER CAP	1			D7275	
043-1		424607-2	FILTER CAP	1	<	D7275		
044		213218-6	O RING 16	1			D7275	
045		423411-6	RUBBER PLATE	1			D7275	
046		443129-3	FILTER	1				
047		412978-9	CRANK CAP	1				
048		911233-1	PAN HEAD SCREW M5X20	4				
049		234282-4	COMPRESSION SPRING 12	2				
050		422647-4	SEAL RING	1				
051		327693-1	CRANK SHAFT 18.5	1				
052		962157-4	RETAINING RING R-40	1				
053		211490-4	BALL BEARING 6203LLU	1				
054		267825-7	WAVE WASHER 30	1				
055		136390-6	CRANK HOUSING ASSY	1				
	C10	213678-2	OIL SEAL 12	1				
056		266041-8	TAPPING SCREW 5X25	4				
057		418350-3	CONNECTING ROD	1				
058		418349-8	PISTON	1				
059		268104-6	PIN 8	1				
060		213432-4	O RING 26	1				

A:HM001GZ(N)
B:HM001GM202(H)

Interchange
O : Yes
X : No
< : the new part can be substituted for the current.
> : the current part can be substituted for the new.
S : Interchangeable as a set.

TH	THAILAND
----	----------

HM001G / CORDLESS DEMOLITION HAMMER

Item	Sub	Parts No.	Parts Description	Qty	I/C	E/C No.	Close No.	Remark
061		213958-6	O RING 24	1				
062		412984-4	SPRING PLATE A	2				
063		234134-9	COMPRESSION SPRING 12	2				
064		325733-9	COUNTER WEIGHT	2			D7275	
064-1		327842-0	COUNTER WEIGHT	2	<	D7275		
065		234134-9	COMPRESSION SPRING 12	2				
066		213325-5	O RING 19	6			D7275	
066-1		213A09-1	O-RING 19	6	<	D7275		
069		140W77-2	HOLDER COMPLETE	2				
070		346140-3	GRIP SPRING 70	1				
071		266522-2	SQUARE BOLT M8X95	1				
072		418363-4	SIDE GRIP BASE 60	1				
073		158131-0	GRIP 36 COMPLETE	1				
075		211106-1	BALL BEARING 6201LLB	1				
076		253744-3	FLAT WASHER 12	1				
077		519642-4	ROTOR ASS'Y	1				
	D10		INC. 75,76,78					
078		210005-4	BALL BEARING 608DDW	1				
079		412983-6	BAFFLE PLATE	1				
080		265999-8	TAPPING SCREW 4X25	4				
081		629335-6	STATOR	1				
082		620D76-1	CONTROLLER B	1				
083		687B69-9	STOPPER	1				
084		266490-9	TAPPING SCREW PT 2X6	3				
085		632R64-0	LEAD UNIT	1				
086		652031-1	PAN HEAD SCREW M3X6	3				
087		412982-8	MOTOR HOUSING	1				
088		256380-4	SHOULDER PIN 4-6	2				
089		412985-2	BASE	1				
090		232643-2	TORSION SPRING 13	1				
091		140W48-9	LEVER COMPLETE	1				
092		263046-9	TAPPING SCREW 3X14	2				
093		620D75-3	SENSOR CIRCUIT	1				
094		266326-2	TAPPING SCREW 4X18	2				
095		620796-3	DIAL CIRCUIT	1			DA633	
095-1		620H67-6	DIAL CIRCUIT	1	<	DA633		
096		140W78-0	MOTOR HOUSING COVER COMPLETE	1				
	C10	422564-8	SPONGE SHEET	1			D7275	
	C11	422730-7	RUBBER SHEET	1	<	D7275		
097		265999-8	TAPPING SCREW 4X25	2				
098		265999-8	TAPPING SCREW 4X25	4				
099		183R90-7	HOUSING SET	1				
	C10	422646-6	CAP 10	2				
	C20	347755-9	GUARD RAIL	2				
	D10		INC. 115					
100		232411-3	COMPRESSION SPRING 8	1				
101		620549-0	LED CIRCUIT	1				
102		620E09-2	CONTROLLER	1				
103		422642-4	CUSHION RUBBER	1				
104		232650-5	COMPRESSION SPRING 13	1				
105		183R85-0	BATTERY HOLDER SET	1				
	C10	263005-3	RUBBER PIN 6	2				
	D10		INC. 108					
106		346039-2	SUPPORT PLATE	1				
107		632P49-4	TERMINAL UNIT	1				
108		183R85-0	BATTERY HOLDER SET	1				
	C10	263005-3	RUBBER PIN 6	2				
	D10		INC. 105					
109		266326-2	TAPPING SCREW 4X18	2				
110		232152-1	LEAF SPRING	1				
111		412981-0	TRIGGER LOCK	1				
112		412980-2	SWITCH LEVER	1				
113		232561-4	COMPRESSION SPRING 5	1				
114		651399-2	SWITCH C3JW-6B-PA	1				
115		183R90-7	HOUSING SET	1				

A:HM001GZ(N)
B:HM001GM202(H)

Interchange
O : Yes
X : No
< : the new part can be substituted for the current.
> : the current part can be substituted for the new.
S : Interchangeable as a set.

