



TH	THAILAND
----	----------

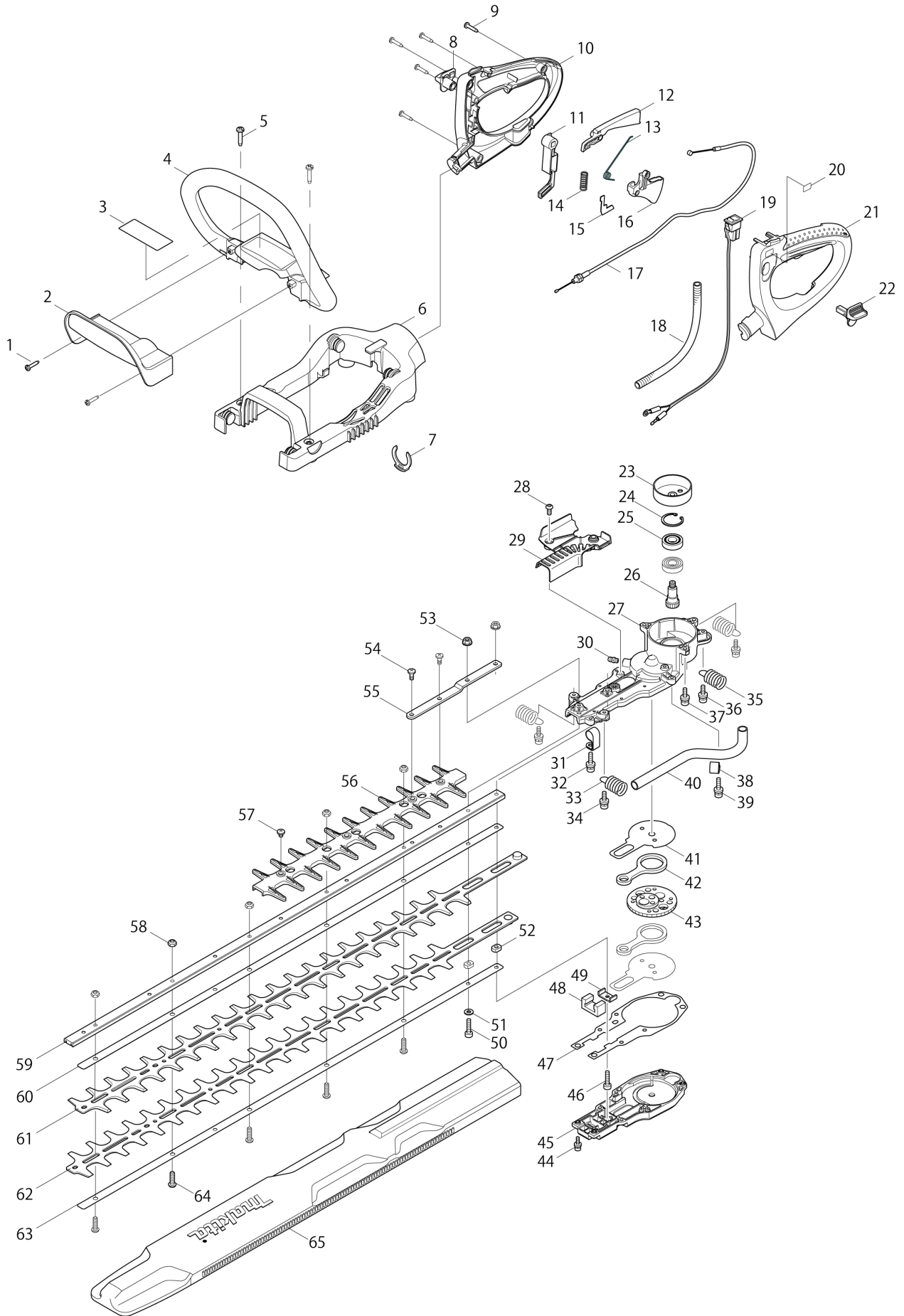
Diagram / Parts List

EH7500W

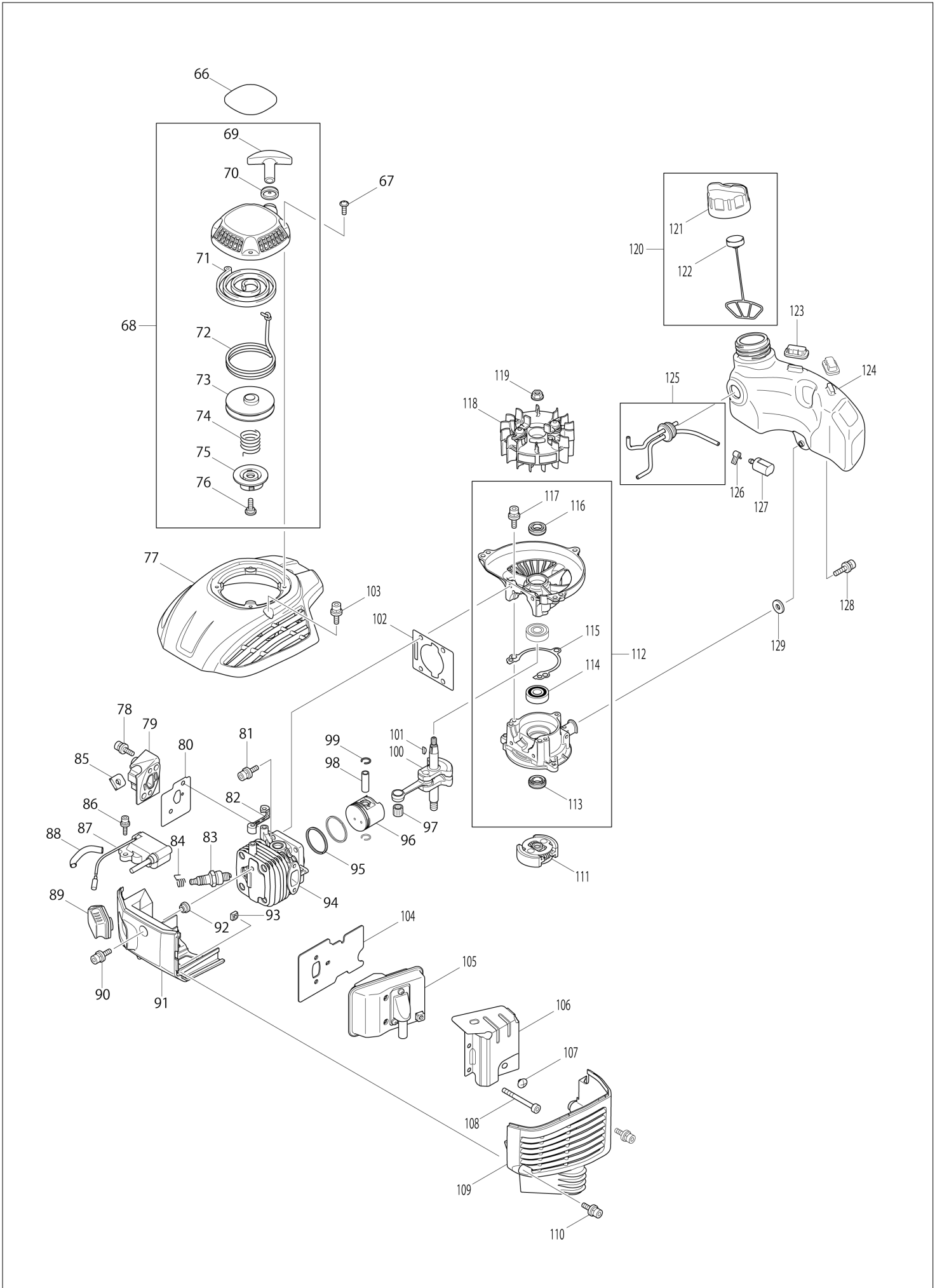
PETROL HEDGE TRIMMER



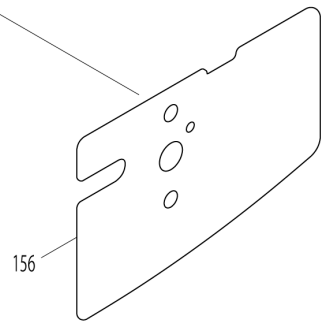
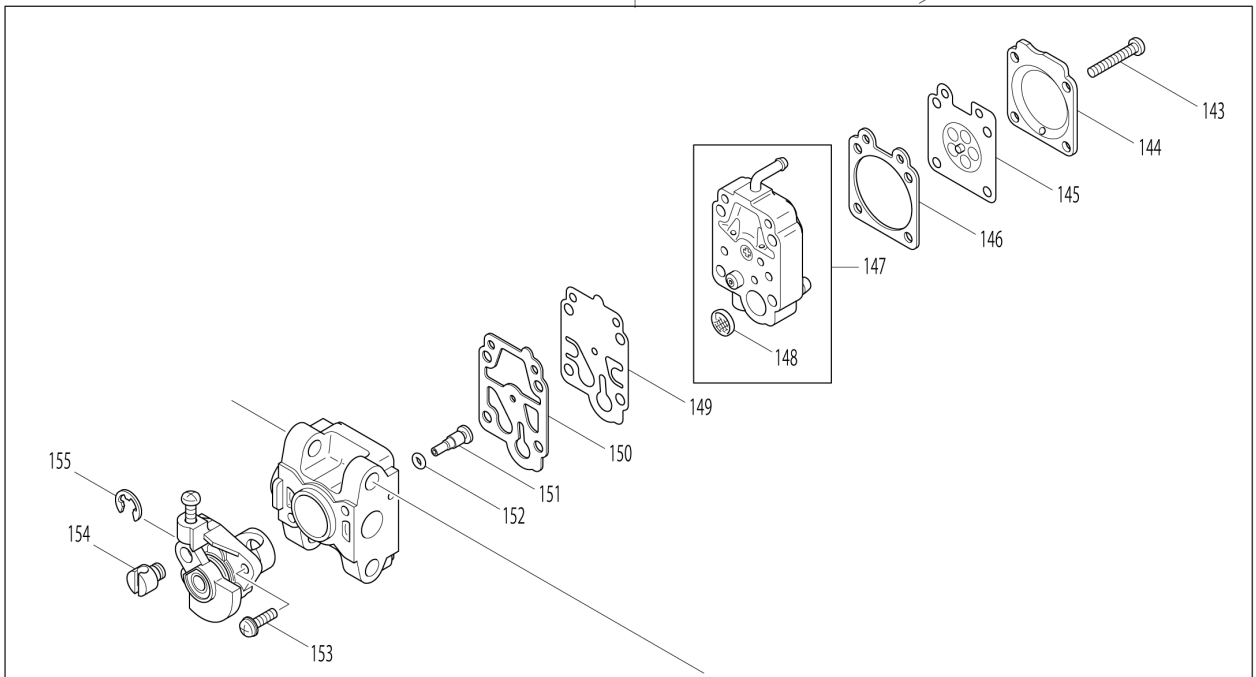
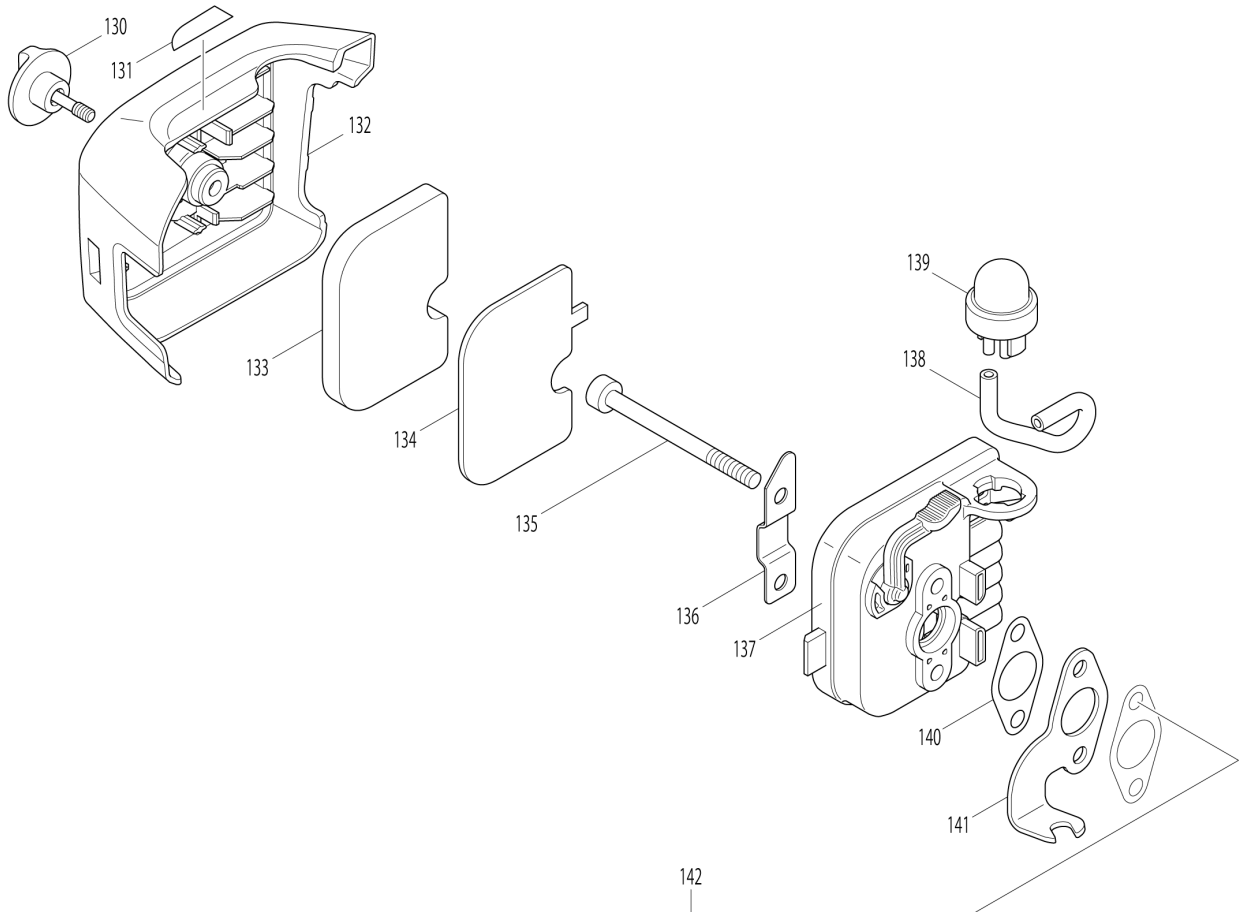
(TH) EH7500W / PETROL HEDGE TRIMMER



(TH) EH7500W / PETROL HEDGE TRIMMER



(TH) EH7500W / PETROL HEDGE TRIMMER



TH	THAILAND
----	----------

EH750W / PETROL HEDGE TRIMMER

Item	Sub	Parts No.	Parts Description	Qty	I/C	E/C No.	Close No.	Remark
001		266045-0	TAPPING SCREW 4X20	2				
002		452322-8	GUARD	1				
003-1		819813-6	CAUTION LABEL	1				
004		452321-0	LOOP HANDLE	1				
005		266041-8	TAPPING SCREW 5X25	2				
006		452319-7	HANDLE BASE	1				
007		452323-6	STOP RING 25	1				
008		452316-3	LOCK LEVER B	1				
009		266045-0	TAPPING SCREW 4X20	5				
011		452314-7	STOPPER	1				
012		452313-9	TRIGGER B	1				
013		233579-8	TORSION SPRING 8	1				
014		234204-4	COMPRESSION SPRING 8	1				
015		413153-0	PLATE	1				
016		452312-1	TRIGGER A	1				
017		168625-7	CONTROL CABLE	1				
018		452324-4	CORRUGATE TUBE	1				
019		125858-7	SWITCH ASSEMBLY	1				
020		892384-8	INDICATION LABEL	1				
021-1		187049-8	LEVER CASE SET	1				
022		452315-5	LOCK LEVER A	1				
023		168567-5	CLUTCH DRUM	1				
024		0031428000	INNER SNAP RING	1			C1235	
024-1		962106-1	RETAINING RING R-28	1	O	C1235		
025		0600129780	BALL BEARING	2			C6004	
025-1		211138-8	BALL BEARING 6001LLU	2	O	C6004		
026		227247-3	SPUR GEAR 9	1			C6004	
026-1		221600-5	SPUR GEAR 9	1	O	C6004		
027		141033-7	GEAR CASE COMPLETE	1				
028		0119059400	SOCKET HEAD BOLT M5X12	2			C1235	
028-1		922212-4	HEX. SOCKET HEAD BOLT M5X12	2	O	C1235		
029		451865-7	BAFFLE PLATE	1				
030		243107-1	GREASE NIPPLE	1				
031		346253-0	CLAMP	1				
032-1		922213-2	H.S.H.BOLT M5X12 WITH WR	1				
033		234224-8	COMPRESSION SPRING 15	2				
034		0119059360	SOCKET HEAD BOLT	2			C1235	
034-1		922224-7	H.S.H.BOLT M5X16 WITH WG	2	O	C1235		
035		234202-8	COMPRESSION SPRING 15	2				
036		0119059360	SOCKET HEAD BOLT	2			C1235	
036-1		922224-7	H.S.H.BOLT M5X16 WITH WG	2	O	C1235		
037-1		266787-6	H.S.H.BOLT M5X18 WITH WR	3				
038		346252-2	CLAMP	1				
039-1		922213-2	H.S.H.BOLT M5X12 WITH WR	1				
040		331896-1	PIPE	1				
041		346255-6	FRICTION PLATE	2				
042		346251-4	CONNECTING ROD	2				
043		227248-1	SPUR GEAR 43	1			C0854	
043-1		227248-1	SPUR GEAR 43	1	O	C0854		
044		922128-3	HEX. SOCKET HEAD BOLT M4X16	8				
045		318610-2	GEAR CASE COVER	1				
046-1		266573-5	HEX. SOCKET HEAD BOLT M5X33	1				
047		413137-8	GEAR CASE GASKET	1				
048		443159-4	SEAL	1				
049		346256-4	HOLDER	1				
050-1		266573-5	HEX. SOCKET HEAD BOLT M5X33	1				
051		0031105003	WASHER	1			C2147	
051-1		941101-4	FLAT WASHER 5	1	O	C2147		
052		313195-3	SLEEVE 5	2				
053		0023705000	FLANGE NUT M5	2				
054-2		266875-9	H.S.H.BOLT M5X8	2				
055-2		346662-3	PLATE	1				
058		264036-5	HEX. LOCK NUT M6-10	5			C3999	
058-1		264089-4	HEX. LOCK NUT M6-10	5	O	C3999		
059		331894-5	GUIDE BAR	1			C3999	

Interchange
O : Yes
X : No
< : the new part can be substituted for the current.
> : the current part can be substituted for the new.
S : Interchangeable as a set.

TH	THAILAND
----	----------

EH7500W / PETROL HEDGE TRIMMER

Item	Sub	Parts No.	Parts Description	Qty	I/C	E/C No.	Close No.	Remark
059-1		332060-7	GUIDE BAR	1	O	C3999		
060		346257-2	PLATE	1			C3999	
060-1		346667-3	PLATE	1	O	C3999		
061		725171-9	SHEAR BLADE	1			C3999	
061-1		725208-2	SHEAR BLADE	1	O	C3999		
062		725171-9	SHEAR BLADE	1			C3999	
062-1		725208-2	SHEAR BLADE	1	O	C3999		
063		346257-2	PLATE	1			C3999	
063-1		346667-3	PLATE	1	O	C3999		
064		266578-5	SOCKET BUTTON HEAD BOLT M6X20	5			C3999	
064-1		266824-6	H.S. BUTTON HEAD BOLT M6X20	5	O	C3999		
065		452326-0	BLADE COVER	1				
066-1		898299-7	EH7500W MODEL NO.LABEL	1			Y07892	
066-2		818F87-2	EH7500W MODEL NO. LABEL	1	O	Y07892		
067		0150049860	TAPPING SCREW M4X14	4				
068		125753-1	RECOIL STARTER ASSEMBLY	1				
	D10		INCL.69-76					
069-1		424319-7	STARTER KNOB	1				
070-1		424359-5	DAMPER	1				
071-1		232258-5	SPIRAL SPRING	1				
072		444028-2	STARTER,ROPE	1				
073		452402-0	REEL	1				
074		233991-2	DAMPER,SPRING	1				
075		452403-8	CAM PLATE	1				
076-1		266585-8	TAPPING SCREW 5X12	1				
077		452948-6	BLOWER HOUSING	1				
078-1		266760-6	H.S.H.BOLT M5X18 WITH WRM	2				
079		451911-6	INSULATOR	1				
080		346268-7	INSULATOR GASKET	1				
081-1		266787-6	H.S.H.BOLT M5X18 WITH WR	4				
082		452556-3	SPACER	1				
083-1		168401-9	SPARK PLUG	1				
084-1		324891-8	PLUG CAP SPRING	1				
085-1		424491-5	GROMMET	1				
086		0119049970	SOCKET HEAD BOLT M4X20	2			C1786	
086-1		922138-0	H.S.H.BOLT M4X20 WITH WR	2	O	C1786		
087		168684-1	IGNITION COIL	1				
088-1		412102-4	TUBE	1				
089		424302-4	PLUG CAP	1				
090		0119059620	SOCKET HEAD BOLT M5X18	1			C1786	
090-1		266760-6	H.S.H.BOLT M5X18 WITH WRM	1	O	C1786		
091		451860-7	CYLINDER COVER	1				
092		5503503001	SPACER	1				
093-2		264050-1	SQUARE NUT M5-8	1				
094-1		141381-4	CYLINDER COMPLETE	1				
095-1		257334-4	PISTON RING 33	2				
096-1		318858-6	PISTON	1				
097-1		212702-8	NEEDLE CAGE 810	1				
098-1		256543-2	PISTON PIN 8	1			C2597	
098-2		268287-2	PISTON PIN 8	1	O	C2597		
099-1		234243-4	CLIP	2				
100		140429-9	CRANKSHAFT COMPLETE	1				
101-1		254041-0	WOODRUFF KEY	1				
102		346267-9	CYLINDER GASKET	1				
103-1		266787-6	H.S.H.BOLT M5X18 WITH WR	3				
104		346260-3	MUFFLER GASKET	1				
105		168565-9	MUFFLER	1			B4064	
105-1		161555-1	MUFFLER	1	<	B4064	C7055	
105-2		162530-0	MUFFLER	1	<	C7055		
106		346343-9	MUFFLER COVER	1				
107		0140059962	SCREW M5X5	1				
108-1		266754-1	SOCKET HEAD BOLT	2				
109		451861-5	MUFFLER COVER	1				
110		0119059620	SOCKET HEAD BOLT M5X18	2			C1786	
110-1		266760-6	H.S.H.BOLT M5X18 WITH WRM	2	O	C1786		

Interchange
O : Yes
X : No
< : the new part can be substituted for the current.
> : the current part can be substituted for the new.
S : Interchangeable as a set.

TH	THAILAND
----	----------

EH7500W / PETROL HEDGE TRIMMER

Item	Sub	Parts No.	Parts Description	Qty	I/C	E/C No.	Close No.	Remark
111-1		141150-3	CLUTCH COMPLETE	1				
112		5231016000	CRANKCASE ASSEMBLY	1				
	D10		INCL.113-117					
113-2		213769-9	OIL SEAL 10	1				
114-1		210086-8	BALL BEARING 6000	2			A2743	
114-2		211064-1	BALL BEARING 6000	2	O	A2743		
115		413139-4	CRANKCASE GASKET	1				
116-2		213769-9	OIL SEAL 10	1				
117-1		266787-6	H.S.H.BOLT M5X18 WITH WR	3				
118		126046-9	FLYWHEEL ASSEMBLY	1				
119-1		264073-9	CORNED DISC SPRING HEX NUT M6	1				
120		125770-1	FUEL TANK CAP ASSEMBLY	1			C6152	
	D10		INCL.121,122				C6152	
120-1		127110-9	FUEL TANK CAP ASSEMBLY	1	O	C6152		
	D10		INCL.121,122			C6152		
121		125840-6	FUEL TANK CAP ASSEMBLY	1			Y07389	
122		140624-1	STRAP COMPLETE	1			Y07389	
123		424080-6	BUFFER RUBBER	2				
124		451867-3	FUEL TANK	1			C5010	
124-1		458743-2	FUEL TANK	1	S	C5010		
125		168568-3	FUEL TUBE ASSEMBLY	1				
126-1		345920-4	HOSE CLAMP	1				
127-1		163518-3	GASOLINE FILTER	1				
128		0119059350	SOCKET HEAD BOLT M5X20	1			C5010	
128-1		251583-5	H.SOCKET HEAD SHOULDER BOLT M5	1	S	C5010		
129		452197-5	SPACER	1			C5010	
129-1		458095-1	SPACER	2	S	C5010		
130		265791-2	THUMB SCREW M4	1				
131		819818-6	CHOKE INDICATION LABEL	1				
132		451859-2	AIR CLEANER COVER	1				
133		443157-8	AIR FILTER	1				
134		443158-6	AIR FILTER	1				
135		0119059710	SOCKET HEAD BOLT M5X60	2			C1786	
135-1		266618-9	H.S.BUTTON HEAD BOLT M5X60	2	O	C1786		
136-2		346647-9	PLATE	1				
137		126029-9	AIR CLEANER PLATE ASSY	1				
138		412097-1	TUBE	1				
139-1		168398-2	PRIMER PUMP	1				
140-1		413158-0	CARBURETOR GASKET	2				
141		346334-0	CABLE BRACKET	1				
142		168569-1	CARBURETOR	1				
	D10		INCL.143-155					
143-1		266770-3	SCREW	4			Y06944	
143-2		WJ00096325	SCREW	4	O	Y06944		
144-1		346608-9	METER DIAPHRAGM COVER	1			Y06944	
144-2		WJ00021158	METERING DIAPHRAGM COVER	1	O	Y06944		
145-1		168620-7	METERING DIAPHRAGM	1				
146-1		442183-4	METERING DIAPHRAGM GASKET	1				
147		140661-5	BODY ASSEMBLY-PUMP	1				
	D10		INCL.148					
148-1		352010-6	INLET SCREEN	1			Y07179	
148-2		WJ00014070	INLET SCREEN	1	O	Y07179		
149-1		168575-6	PUMP DIAPHRAGM	1			Y07366	
149-2		WJ00009599	PUMP DIAPHRAGM	1	O	Y07366		
150-1		442155-9	PUMP GASKET	1				
151		326005-5	JET	1				
152-1		213538-8	O RING 2	1				
153-1		266581-6	PAN HEAD SCREW M3X8 WITH W	2			Y06995	
153-2		WJ00096364	SCREW M3X8 WITH WASHER	2	O	Y06995		
154-1		325922-6	SWIVEL	1				
155-1		257964-1	STOP RING E-3	1				
156		413147-5	CARBURETOR GASKET	1				
157-1		286284-6	CAP	1				
158		814E64-6	SERIAL NO. LABEL	1		Y07381		
A01		195259-3	TOOL SET	1			B9396	

Interchange
O : Yes
X : No
< : the new part can be substituted for the current.
> : the current part can be substituted for the new.
S : Interchangeable as a set.

