



TH	THAILAND
----	----------

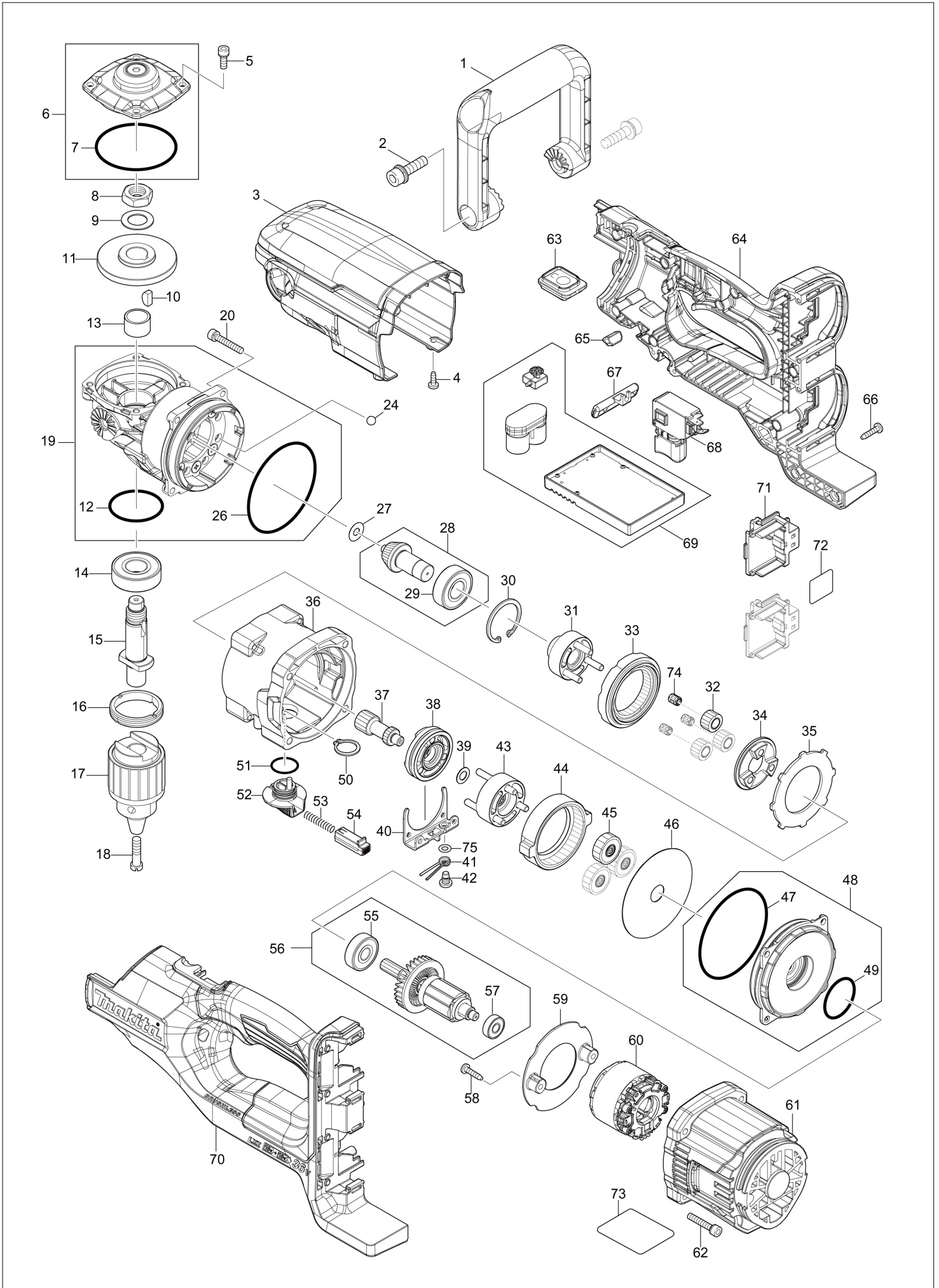
Diagram / Parts List

DDA460

CORDLESS ANGLE DRILL



(TH) DDA460 / CORDLESS ANGLE DRILL



TH	THAILAND
-----------	-----------------

DDA460 / CORDLESS ANGLE DRILL

Item	Sub	Parts No.	Parts Description	Qty	I/C	E/C No.	Close No.	Remark
001		458431-1	FRONT GRIP	1				
002		922453-2	HEX.SOCKET HEAD BOLT M8X30	2				
003		458430-3	TOP COVER	1				
004		266026-4	TAPPING SCREW BIND CT 4X12	2				
005		266086-6	HEX. SOCKET HEAD BOLT M5X16	4				
006		140A21-7	GEAR HOUSING COVER COMPLETE	1				
	D10		INC. 7					
007		213709-7	O RING 63	1				
008		252182-6	HEX. NUT M16-22	1			C3972	
008-1		252267-8	HEX. NUT M16-22	1	<	C3972		
009		253771-0	FLAT WASHER 16	1				
010		254032-1	WOODRUFF KEY 5	1				
011		227416-6	SPIRAL BEVEL GEAR 40	1			DB695	
011-1		227920-5	SPIRAL BEVEL GEAR 40	1	S	DB695		
012		213507-9	O RING 40	1				
013		257440-5	SLEEVE 17	1				
014		211278-2	BALL BEARING 6203DDW	1				
015		327106-2	SPINDLE	1				
016		285842-5	BEARING RETAINER 36-43	1				
017		763250-5	DRILL CHUCK S-13	1				
018		251463-5	- FLAT HEAD SCREW M6X22	1				
019		140A22-5	GEAR HOUSING COMPLETE	1				
	C10	233326-7	COMPRESSION SPRING 5	8				
	C20	256393-5	SHOULDER PIN 5-8.5	8				
	C30	347364-4	GUIDE PLATE	1				
	C40	265148-7	TORX SOCKET HEAD SCREW M5X14	6				
	D10		INC. 12,26					
020		265695-8	H. S. H. BOLT M5X30 WITH WRM	4			DJ237	
020-1		265D08-7	H. S. H. BOLT M5X30 WITH WRM	4	O	DJ237		
024		216022-2	STEEL BALL 7.0	8				
026		213755-0	O RING 75	1				
027		253411-0	FLAT WASHER 6	1				
028		140A23-3	SPIRAL BEVEL GEAR 13 COMPLETE	1			DB695	
	D10		INC. 29				DB695	
028-1		136563-1	SPIRAL BEVEL GEAR 13 ASS'Y	1	S	DB695		
	D10		INC. 29			DB695		
029		211206-7	BALL BEARING 6202LLB	1				
030		962153-2	RETAINING RING R-35	1				
031		140A13-6	CARRIER A COMPLETE	1				
032		226176-7	SPUR GEAR 13	3				
033		226177-5	INTERNAL GEAR 40	1				
034		223188-1	CAM	1				
035		347365-2	WASHER 65	1				
036		140A16-0	GEAR CASE COMPLETE	1				
037		226175-9	SPUR GEAR 14	1				
038		310876-0	CHANGE RING	1				
039		253215-0	FLAT WASHER 8	1				
040		347366-0	CHANGE GUIDE	1				
041		231657-8	TORSION SPRING 6	1				
042		265628-3	+ BINDING HEAD SCREW M5	1				
043		140A14-4	CARRIER B COMPLETE	1				
044		226174-1	INTERNAL GEAR 71	1				
045		140A12-8	SPUR GEAR 29 COMPLETE	3				
046		253412-8	FLAT WASHER 15	1				
047		213755-0	O RING 75	1				
048		140A20-9	MOTOR BRACKET COMPLETE	1				
	D10		INC. 47,49					
049		213406-5	O RING 30	1				
050		961058-3	RETAINING RING (EXT) S-18	1				
051		213265-7	O RING 17	1				
052		458433-7	CHANGE LEVER	1				
053		233279-0	COMPRESSION SPRING 4	1				
054		458434-5	LOCK BUTTON	1				
055		211087-9	BALL BEARING 6200DDW	1				
056		519526-6	ROTOR ASSY	1			DJ325	

A:DDA460ZK(N)
B:DDA460PT2(H)

Interchange
O : Yes
X : No
< : the new part can be substituted for the current.
> : the current part can be substituted for the new.
S : Interchangeable as a set.

TH	THAILAND
-----------	-----------------

DDA460 / CORDLESS ANGLE DRILL

Item	Sub	Parts No.	Parts Description	Qty	I/C	E/C No.	Close No.	Remark
	D10		INC. 55,57				DJ325	
056-1		519689-8	ROTOR ASSY	1	O	DJ325		
	D10		INC. 55,57			DJ325		
057		211022-7	BALL BEARING 607ZZ	1				
058		266326-2	TAPPING SCREW 4X18	2				
059		458427-2	BAFFLE PLATE	1				
060		629356-8	STATOR	1			DG534	
060-1		629B69-3	STATOR	1	S	DG534		
061		458426-4	MOTOR HOUSING	1				
062		265695-8	H. S. H. BOLT M5X30 WITH WRM	4			DJ237	
062-1		265D08-7	H. S. H. BOLT M5X30 WITH WRM	4	O	DJ237		
063		140A19-4	SWITCH CIRCUIT COMPLETE	1				
	C10	810D46-0	SWITCH LABEL	1				
064		183J58-5	HANDLE SET	1			D6614	
	C10	263005-3	RUBBER PIN 6	4			D6614	
	C20	347379-1	KEY HOLDER	1			D6614	
	D10		INC. 70				D6614	
064-1		183R46-0	HANDLE SET	1	O	D6614		
	C10	263005-3	RUBBER PIN 6	4		D6614		
	C20	347379-1	KEY HOLDER	1		D6614		
	D10		INC. 70			D6614		
065		620839-1	LED CIRCUIT	1				
066		266326-2	TAPPING SCREW 4X18	12				
067		458432-9	F/R CHANGE LEVER	1				
068		650710-5	SWITCH C3JW-4B	1				
069		620838-3	CONTROLLER	1				
070		183J58-5	HANDLE SET	1			D6614	
	C10	263005-3	RUBBER PIN 6	4			D6614	
	C20	347379-1	KEY HOLDER	1			D6614	
	D10		INC. 64				D6614	
070-1		183R46-0	HANDLE SET	1	O	D6614		
	C10	263005-3	RUBBER PIN 6	4		D6614		
	C20	347379-1	KEY HOLDER	1		D6614		
	D10		INC. 64			D6614		
071		644809-6	TERMINAL	2				
072		854K90-9	DDA460 SERIAL NO. LABEL	1				
073		854K86-0	DDA460 NAME PLATE	1				
074		212193-3	NEEDLE CAGE 5810	3				
075		267010-2	FLAT WASHER 5	1				
076		620K74-7	CONTROLLER B	1	S	DG534		
077		652119-7	PAN HEAD SCREW M2X6	6	S	DG534		
078		638A31-1	LEAD UNIT	1	S	DG534		
A01		126802-7	GRIP ASSEMBLY	1			D9878	
A01-1		122A18-8	GRIP ASSEMBLY	1	O	D9878		
A02		763251-3	CHUCK KEY S-13	1				
A03		783204-6	HEX. WRENCH 6	1				
A05		821737-4	PLASTIC CASE	1				
	C10	162271-8	LATCH	2				
A06B		***DC18RD	DC18RD TWO PORT FAST CHARGER	1				
	D10		COMPO-PARTS					
A07B		197280-8	BATTERY BL1850B SET	2			C2803	
A07-1B		199282-0	BATTERY BL1850B SET	2	<	C2803	D0161	
A07-2B		199282-0	BATTERY BL1850B SET	2	<	D0161		

A:DDA460ZK(N)
B:DDA460PT2(H)

Interchange
O : Yes
X : No
< : the new part can be substituted for the current.
> : the current part can be substituted for the new.
S : Interchangeable as a set.