



TH	THAILAND
----	----------

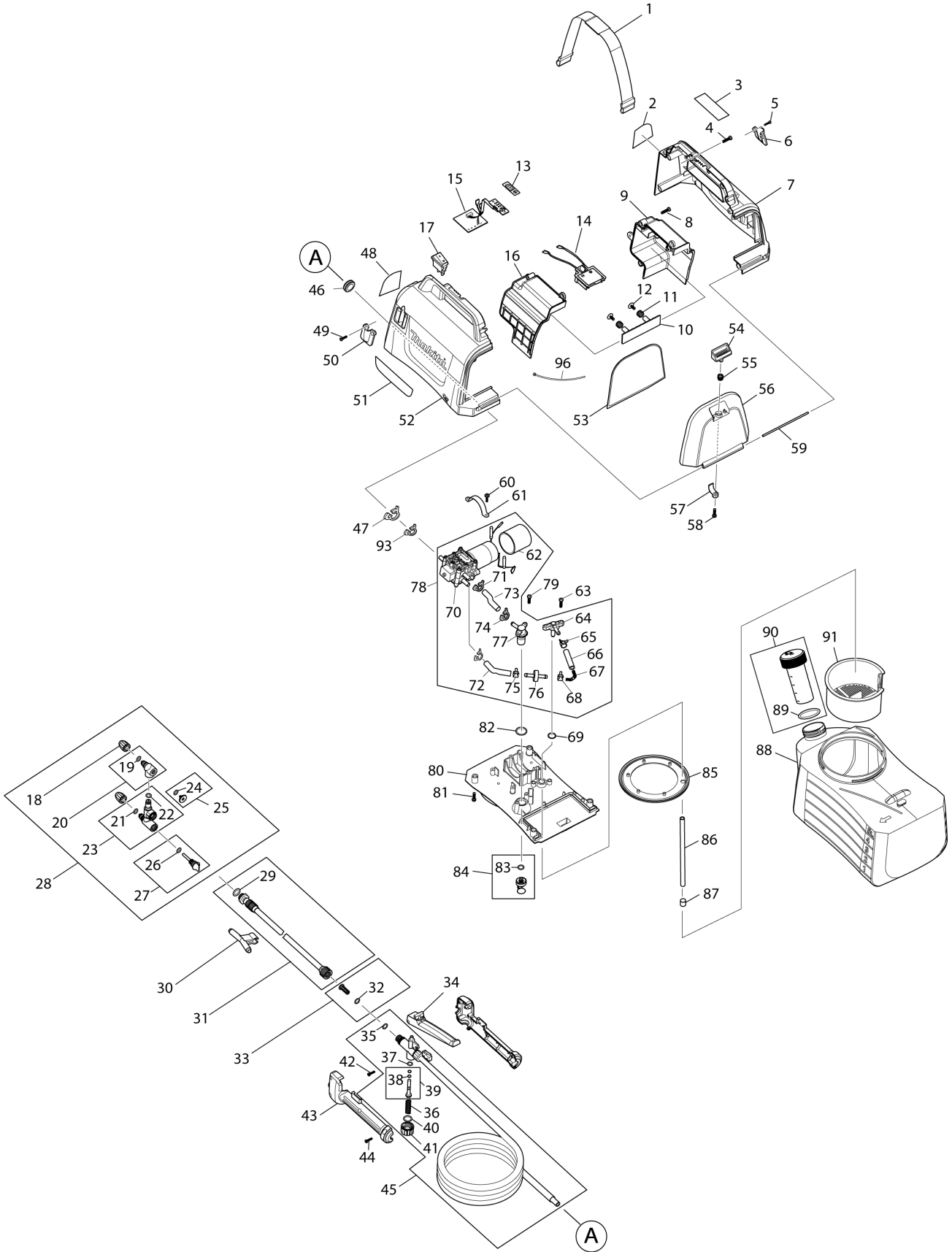
# Diagram / Parts List

**DUS054**

**CORDLESS GARDEN SPRAYER**



(TH) DUS054 / CORDLESS GARDEN SPRAYER



TH	THAILAND
----	----------

### DUS054 / CORDLESS GARDEN SPRAYER

Item	Sub	Parts No.	Parts Description	Qty	I/C	E/C No.	Close No.	Remark
001		PR00000128	SHOULDER STRAP	1				
002		PR00000206	WARNING TEXT LABEL-EN	1				
003		PR00000227	RATING LABEL-0016A	1				
004		PR00000183	TAPPINNG SCREW ST4.0X16	6				
005		PR00000182	TAPPINNG SCREW ST2.9X12	2				
006		PR00000191	SPRAY WAND HOLDER	1			Y08661	
006-1		PR00000191	SPRAY WAND HOLDER	1	O	Y08661		
007		PR00000192	HOUSING SET	1				
	D10		INC. 52					
008		PR00000183	TAPPINNG SCREW ST4.0X16	4				
009		PR00000193	BATTERY HOUSING	1				
	D10		INC. 16					
010		PR00000130	DAM-BOARD	1				
011		PR00000194	SPRING	2				
012		PR00000132	TAPPING SCREW ST4.0X12	2				
013		PR00000133	INDICATION LABEL	1				
014		PR00000195	BATTERY TERMINAL	1			Y08661	
014-1		PR00000195	BATTERY TERMINAL	1	O	Y08661		
015		PR00000196	PCB	1				
016		PR00000193	BATTERY HOUSING	1				
	D10		INC. 9					
017		PR00000136	SWITCH	1				
018		PR00000137	SPRAY HEAD	2				
019		PR00000186	O RING 6X2	1				
020		PR00000138	NOZZLE HOLDER	1				
	D10		INC. 19					
021		PR00000186	O RING 6X2	1				
022		PR00000186	O RING 6X2	1				
023		PR00000139	ROD JOINT	1				
	D10		INC. 21,22					
024		PR00000186	O RING 6X2	1				
025		PR00000140	END CAP	1				
	D10		INC. 24					
026		PR00000186	O RING 6X2	1				
027		PR00000141	ADJUSTING KNOB	1				
	D10		INC. 26					
028		PR00000142	TWO HEAD NOZZLE	1				
	D10		INC. 18,20,23,25,27					
029		PR00000143	SEAL PAD 9X17X2	1				
030		PR00000144	HOOK	1				
031		PR00000145	SPRAY WAND	1				
	D10		INC. 29					
032		PR00000146	O SEAL RING 4.5X1.5	1				
033		PR00000147	FILTER ASSEMBLY	1				
	D10		INC. 32					
034		PR00000148	HANDLE TRIGGER ASSEMBLY	1				
035		PR00000149	O RING 8X1.8	1				
036		PR00000150	SPRING	1				
037		PR00000204	O RING 6X2	1			Y08908	
037-1		PR00000186	O RING 6X2	1	O	Y08908		
038		PR00000205	O RING 3X1.5	2				
039		PR00000151	VALVE ROD	1				
	D10		INC. 38					
040		PR00000190	O RING 12X2	1			Y08661	
040-1		PR00000190	O RING 12X2	1	O	Y08661		
041		PR00000152	LOCK COVER	1				
042		PR00000182	TAPPINNG SCREW ST2.9X12	1				
043		PR00000153	HANDLE SET	1				
044		PR00000182	TAPPINNG SCREW ST2.9X12	5				
045		PR00000154	SPRAY HOSE ASSEMBLY	1				
	D10		INC. 35,36,37,39,40,41					
046		PR00000155	GROMMET	1			Y08661	
046-1		PR00000155	GROMMET	1	O	Y08661		
047		PR00000184	SNAPPER HOSE CLAMP (L)	1			Y08661	
047-1		PR00000184	SNAPPER HOSE CLAMP (L)	1	O	Y08661		

A:

Interchange  
O : Yes  
X : No  
< : the new part can be substituted for the current.  
> : the current part can be substituted for the new.  
S : Interchangeable as a set.

TH	THAILAND
----	----------

### DUS054 / CORDLESS GARDEN SPRAYER

Item	Sub	Parts No.	Parts Description	Qty	I/C	E/C No.	Close No.	Remark
048		PR00000211	WARNING LOGO LABEL	1				
049		PR00000182	TAPPING SCREW ST2.9X12	2				
050		PR00000191	SPRAY WAND HOLDER	1			Y08661	
050-1		PR00000191	SPRAY WAND HOLDER	1	O	Y08661		
051		PR00000197	DECORATION LABEL	1				
052		PR00000192	HOUSING SET	1				
	D10		INC. 7					
053		PR00000198	BATTERY COVER SEAL PAD	1				
054		PR00000159	BATTERY COVER BUTTON	1				
055		PR00000160	SPRING	1				
056		PR00000199	BATTERY COVER	1				
057		PR00000162	PRESS-BUTTON	1				
058		PR00000007	TAPPING SCREW ST2.9X15	1			Y08661	
058-1		PR00000007	TAPPING SCREW ST2.9X15	1	O	Y08661		
059		PR00000163	SHAFT	1				
060		PR00000183	TAPPING SCREW ST4.0X16	2				
061		PR00000164	MOTOR FIXED BLOCK	1				
062		PR00000165	SHOCK ABSORBER RING	1				
063		PR00000183	TAPPING SCREW ST4.0X16	2				
064		PR00000166	INLET CONNECTION	1				
065		PR00000188	HOSE CLIP	1				
066		PR00000187	DELIVERY TUBE (55MM)	1				
067		PR00000167	SPRING	1				
068		PR00000188	HOSE CLIP	1				
069		PR00000190	O RING 12X2	1			Y08661	
069-1		PR00000190	O RING 12X2	1	O	Y08661		
070		PR00000200	PUMP UNIT WITH MOTOR	1				
071		PR00000184	SNAPPER HOSE CLAMP (L)	2			Y08661	
071-1		PR00000247	SNAPPER HOSE CLAMP (S)	2	X	Y08661	Y08885	
071-2		PR00000247	SNAPPER HOSE CLAMP (S)	2	O	Y08885		
072		PR00000187	DELIVERY TUBE (55MM)	1			Y08661	
072-1		PR00000248	DELIVERY TUBE (48MM)	1	X	Y08661		
073		PR00000187	DELIVERY TUBE (55MM)	1			Y08661	
073-1		PR00000249	DELIVERY TUBE (40MM)	1	X	Y08661		
074		PR00000184	SNAPPER HOSE CLAMP (L)	1			Y08661	
074-1		PR00000247	SNAPPER HOSE CLAMP (S)	1	X	Y08661	Y08885	
074-2		PR00000247	SNAPPER HOSE CLAMP (S)	1	O	Y08885		
075		PR00000188	HOSE CLIP	1				
076		PR00000169	CHECK VALVE ASSEMBLY	1				
077		PR00000170	WATER INLET	1			Y08661	
077-1		PR00000170	WATER INLET	1	O	Y08661		
078		PR00000201	PUMP ASSY	1			Y08661	
	D10		INC. 62,64-68,70-77				Y08661	
078-1		PR00000201	PUMP ASSY	1	O	Y08661		
	D10		INC. 62,64-68,70-77				Y08661	
079		PR00000183	TAPPING SCREW ST4.0X16	2				
080		PR00000172	BASE BOARD	1				
081		PR00000183	TAPPING SCREW ST4.0X16	4				
082		PR00000173	O RING 17X2	1				
083		PR00000186	O RING 6X2	1				
084		PR00000174	KNOB LOCK CAP ASSEMBLY	1				
	D10		INC. 83					
085		PR00000175	SEAL PAD FOR TANK	1			Y08661	
085-1		PR00000175	SEAL PAD FOR TANK	1	X	Y08661		
086		PR00000176	SUCTION TUBE 190MM	1			Y08661	
086-1		PR00000176	SUCTION TUBE 190MM	1	O	Y08661		
087		PR00000177	FILTER	1				
088		PR00000178	TANK (LITRE)	1			Y08661	
088-1		PR00000178	TANK (LITRE)	1	X	Y08661		
089		PR00000179	O RING 34X3.5	1				
090		PR00000180	TANK CAP WITH MEASURING CUP (M	1			Y08661	
	D10		INC. 89				Y08661	
090-1		PR00000180	TANK CAP WITH MEASURING CUP (M	1	X	Y08661		
	D10		INC. 89				Y08661	
091		PR00000181	FILTER CARTRIDGE	1				

A:

Interchange  
O : Yes  
X : No  
< : the new part can be substituted for the current.  
> : the current part can be substituted for the new.  
S : Interchangeable as a set.

