



TH	THAILAND
----	----------

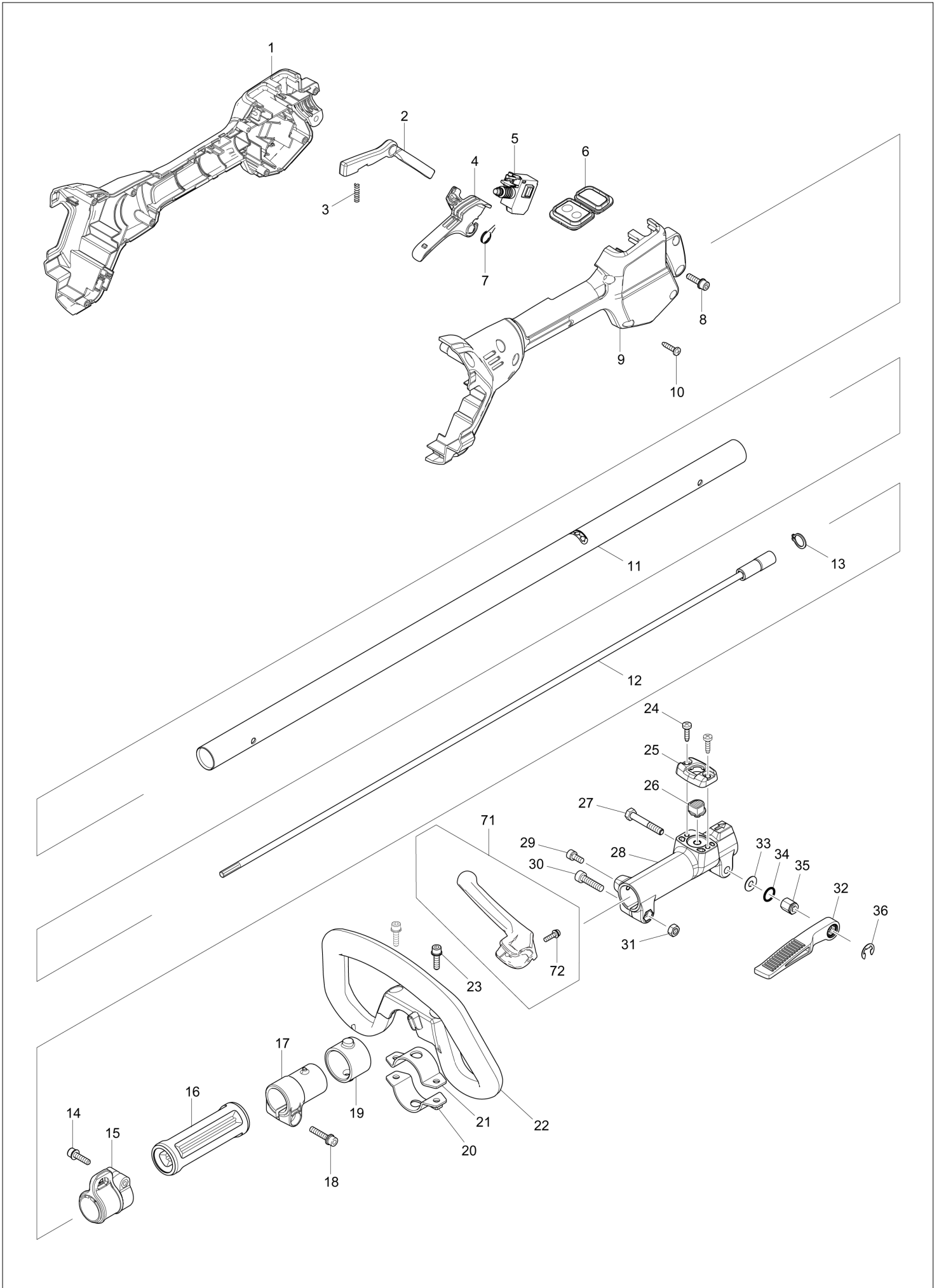
Diagram / Parts List

DUX60

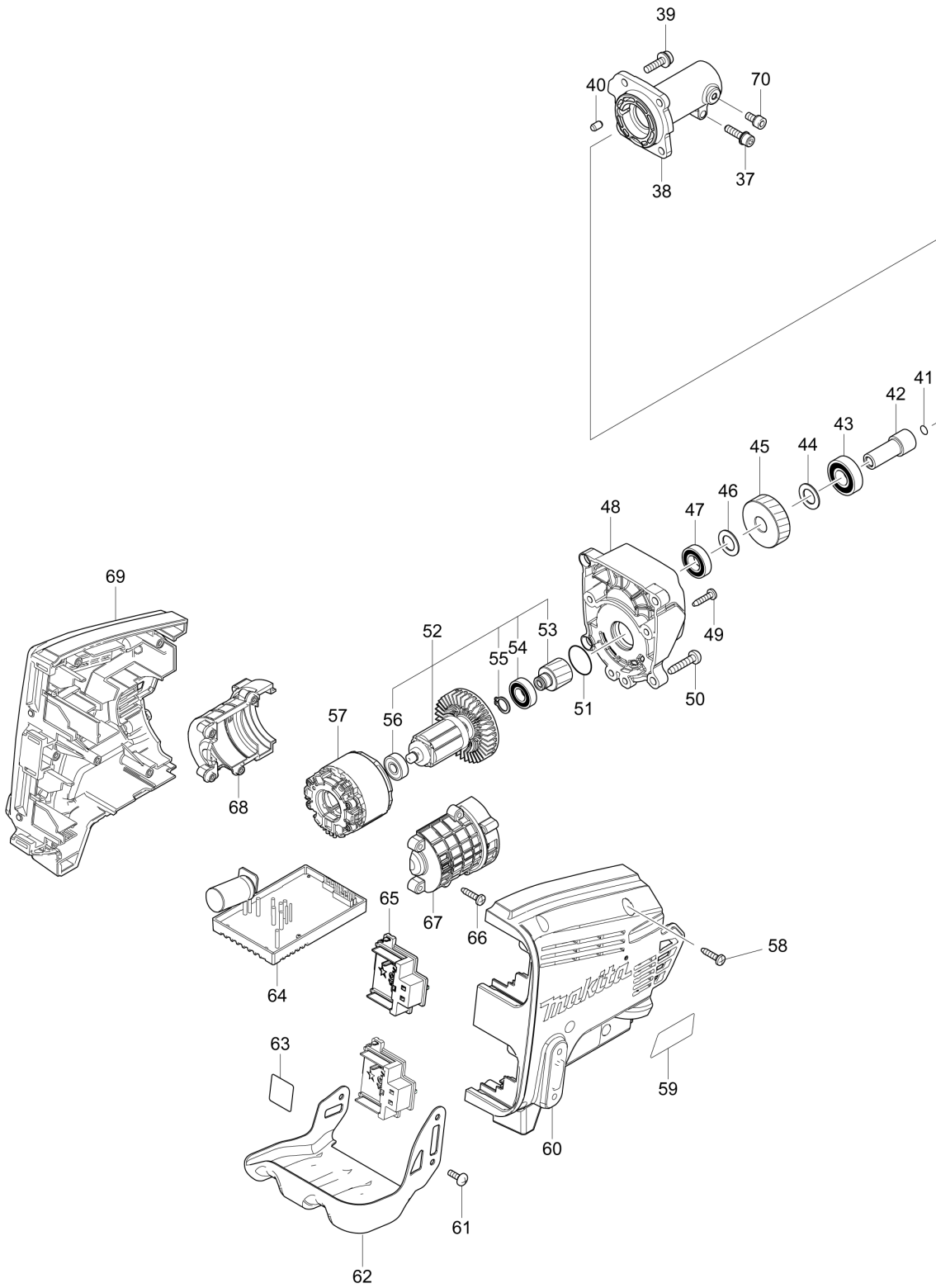
CRDLSS MULTI FNCTN POWER HEAD



(TH) DUX60 / CRDLSS MULTI FNCTN POWER HEAD



(TH) DUX60 / CRDLSS MULTI FNCTN POWER HEAD



TH	THAILAND
----	----------

DUX60 / CRDLSS MULTI FNCTN POWER HEAD

Item	Sub	Parts No.	Parts Description	Qty	I/C	E/C No.	Close No.	Remark
001		183G31-7	GRIP SET	1				
	C10	931202-6	HEX. NUT M5	1				
	D10		INC. 9					
002		457773-0	LOCK OFF LEVER	1				
003		233101-1	COMPRESSION SPRING 4	1				
004		457771-4	SWITCH LEVER	1				
005		650709-0	SWITCH C3JW-1A-P	1				
006		144570-0	SUB CONTROLLER COMPLETE	1				
007		233540-5	TORSION SPRING 11	1				
008		922233-6	H.S.H.BOLT M5X20 WITH WR	1				
009		183G31-7	GRIP SET	1				
	C10	931202-6	HEX. NUT M5	1				
	D10		INC. 1					
010		266326-2	TAPPING SCREW 4X18	8				
011		141500-2	SHAFT PIPE B COMPLETE	1				
	C10	808723-2	CAUTION LABEL	1				
012		141238-9	SHAFT B COMPLETE	1				
013		961052-5	RETAINING RING (EXT) S-12	1				
014		922233-6	H.S.H.BOLT M5X20 WITH WR	1				
015		168478-4	HANGER	1				
	C10	931202-6	HEX. NUT M5	1				
016		451601-1	SPACER 24	1				
017		457269-1	PIPE HOLDER 24	1				
018		922244-1	H.S.H.BOLT M5X25 WITH WG	1				
019		424942-8	DAMPER	1				
020		347114-7	LOWER CLAMP 35	1				
021		347113-9	UPPER CLAMP 35	1				
022		457772-2	LOOP HANDLE	1				
	C10	263005-3	RUBBER PIN 6	1				
023		922233-6	H.S.H.BOLT M5X20 WITH WR	2				
024		266034-5	TAPPING SCREW CT 4X16	2				
025		452840-6	RELEASE BUTTON COVER	1				
026		452839-1	RELEASE BUTTON	1				
027		265596-0	HEX.BOLT M6X40	1				
028		318750-6	JOINT 24	1			DF175	
028-1		312D49-5	JOINT24	1	<	DF175		
029		922211-6	H.S.H.BOLT M5X12 WITH W	1				
030		922342-1	HEX. SOCKET HEAD BOLT M6X25	1				
031		931302-2	HEX. NUT M6	1				
032		272268-0	LEVER 94	1				
033		253332-6	THIN WASHER 6	1				
034		213105-9	O RING 11	1				
035		252159-1	HEX. NUT M6	1				
036		961014-3	STOP RING E-8	1				
037		922233-6	H.S.H.BOLT M5X20 WITH WR	1				
038A		319609-0	PIPE BRACKET	1			C9840	
038B		319609-0	PIPE BRACKET	1			C9840	
038C		319609-0	PIPE BRACKET	1			C9840	
038-1A		319919-5	PIPE BRACKET	1	O	C9840		
038-1B		319919-5	PIPE BRACKET	1	O	C9840		
038-1C		319919-5	PIPE BRACKET	1	O	C9840		
038-1D		319919-5	PIPE BRACKET	1				
039		911233-1	PAN HEAD SCREW M5X20	4				
040		263002-9	RUBBER PIN 4	1				
041		213045-1	O-RING 6	1				
042		325811-5	SPINDLE HUB	1				
043		211148-5	BALL BEARING 6001ZZ	1				
044		253744-3	FLAT WASHER 12	1				
045		227720-3	HELICAL GEAR 33	1				
046		253744-3	FLAT WASHER 12	1				
047A		211150-8	BALL BEARING 6901ZZ	1			DB730	
047B		211150-8	BALL BEARING 6901ZZ	1			DB730	
047C		211150-8	BALL BEARING 6901ZZ	1			DB730	
047-1A		210260-8	BALL BEARING 6901ZZ	1	O	DB730		
047-1B		210260-8	BALL BEARING 6901ZZ	1	O	DB730		

A:DUX60Z(N)
 B:DUX60ZM3(N)
 C:DUX60ZM2(N)
 D:DUX60PTX17(H)

Interchange
 O : Yes
 X : No
 < : the new part can be substituted for the current.
 > : the current part can be substituted for the new.
 S : Interchangeable as a set.

TH	THAILAND
-----------	-----------------

DUX60 / CRDLSS MULTI FNCTN POWER HEAD

Item	Sub	Parts No.	Parts Description	Qty	I/C	E/C No.	Close No.	Remark
047-1C		210260-8	BALL BEARING 6901ZZ	1	O	DB730		
047-1D		210260-8	BALL BEARING 6901ZZ	1				
048		319608-2	GEAR BOX	1				
049		266326-2	TAPPING SCREW 4X18	4				
050		266041-8	TAPPING SCREW 5X25	4				
051		213961-7	O RING 22	1				
052A		519447-2	ROTOR ASS'Y	1			DA997	
	D10		INC. 53-56				DA997	
052B		519447-2	ROTOR ASS'Y	1			DA997	
	D10		INC. 53-56				DA997	
052C		519447-2	ROTOR ASS'Y	1			DA997	
	D10		INC. 53-56				DA997	
052-1A		510506-5	ROTOR ASS'Y	1	O	DA997		
	D10		INC. 53-56			DA997		
052-1B		510506-5	ROTOR ASS'Y	1	O	DA997		
	D10		INC. 53-56			DA997		
052-1C		510506-5	ROTOR ASS'Y	1	O	DA997		
	D10		INC. 53-56			DA997		
052-1D		510506-5	ROTOR ASS'Y	1				
	D10		INC. 53-56					
053		227721-1	HELICAL GEAR 16	1				
054A		210069-8	BALL BEARING 6900DDW	1			DB730	
054B		210069-8	BALL BEARING 6900DDW	1			DB730	
054C		210069-8	BALL BEARING 6900DDW	1			DB730	
054-1A		210258-5	BALL BEARING 6900DDW	1	O	DB730		
054-1B		210258-5	BALL BEARING 6900DDW	1	O	DB730		
054-1C		210258-5	BALL BEARING 6900DDW	1	O	DB730		
054-1D		210258-5	BALL BEARING 6900DDW	1				
055		961006-2	RETAINING RING S-10	1				
056A		210062-2	BALL BEARING 607ZZ	1			DA997	
056B		210062-2	BALL BEARING 607ZZ	1			DA997	
056C		210062-2	BALL BEARING 607ZZ	1			DA997	
056-1A		210269-0	BALL BEARING 607ZZ	1	O	DA997		
056-1B		210269-0	BALL BEARING 607ZZ	1	O	DA997		
056-1C		210269-0	BALL BEARING 607ZZ	1	O	DA997		
056-1D		210269-0	BALL BEARING 607ZZ	1				
057		629269-3	STATOR	1				
058		266326-2	TAPPING SCREW 4X18	6				
059		853S61-1	DUX60 NAME PLATE	1				
060		183G29-4	HOUSING SET	1				
	C10	263005-3	RUBBER PIN 6	4				
	C20	252126-6	HEX. LOCK NUT M4-7	3				
	D10		INC. 69					
061		251314-2	+ SCREW M4X12	3				
062		346858-6	BATTERY GUARD	1				
063		853S66-1	DUX60 SERIAL NO. LABEL	1				
064A		620677-1	CONTROLLER	1			C5210	
064B		620677-1	CONTROLLER	1			C5210	
064C		620677-1	CONTROLLER	1			C5210	
064-1A		620A24-2	CONTROLLER	1	<	C5210	D7432	
064-1B		620A24-2	CONTROLLER	1	<	C5210	D7432	
064-1C		620A24-2	CONTROLLER	1	<	C5210	D7432	
064-2A		620A24-2	CONTROLLER	1	<	D7432		
064-2B		620A24-2	CONTROLLER	1	<	D7432		
064-2C		620A24-2	CONTROLLER	1	<	D7432		
064-2D		620A24-2	CONTROLLER	1				
065		644809-6	TERMINAL	2				
066		266326-2	TAPPING SCREW 4X18	4				
067		183G30-9	MOTOR HOUSING SET	1				
	D10		INC. 68					
068		183G30-9	MOTOR HOUSING SET	1				
	D10		INC. 67					
069		183G29-4	HOUSING SET	1				
	C10	263005-3	RUBBER PIN 6	4				
	C20	252126-6	HEX. LOCK NUT M4-7	3				

A:DUX60Z(N)
 B:DUX60ZM3(N)
 C:DUX60ZM2(N)
 D:DUX60PTX17(H)

Interchange
 O : Yes
 X : No
 < : the new part can be substituted for the current.
 > : the current part can be substituted for the new.
 S : Interchangeable as a set.

