



TH	THAILAND
----	----------

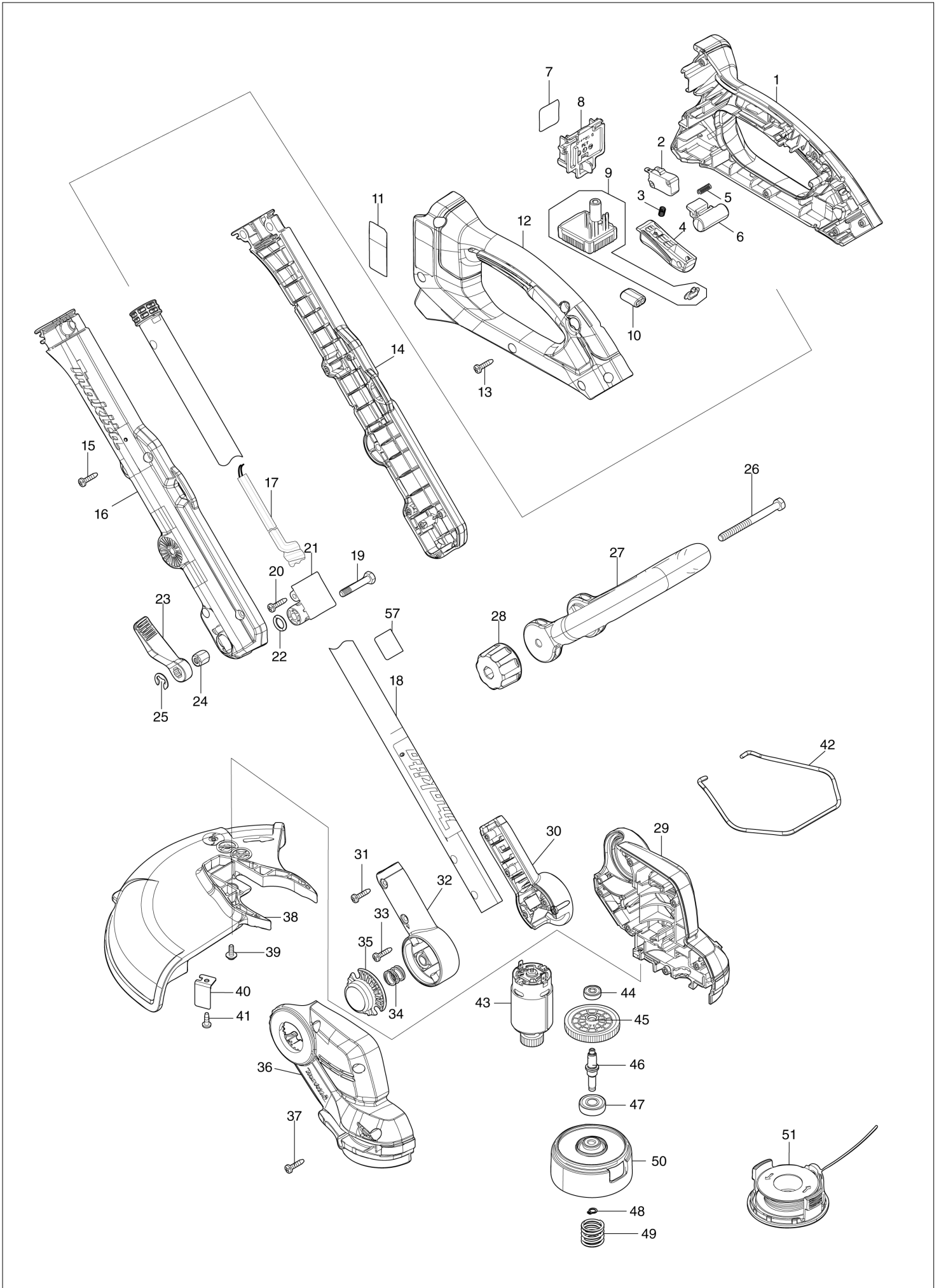
Diagram / Parts List

DUR193

CORDLESS GRASS TRIMMER



(TH) DUR193 / CORDLESS GRASS TRIMMER



TH	THAILAND
----	----------

DUR193 / CORDLESS GRASS TRIMMER

Item	Sub	Parts No.	Parts Description	Qty	I/C	E/C No.	Close No.	Remark
001		183V19-7	GRIP HOUSING SET	1				
	C10	263005-3	RUBBER PIN 6	2				
	D10		INC. 12					
002		650744-8	SWITCH D3V-16-3C26	1				
003		231473-8	COMPRESSION SPRING 4	1				
004		413G06-5	SWITCH LEVER	1				
005		231473-8	COMPRESSION SPRING 4	1				
006		413G05-7	LOCK OFF BUTTON	1				
007		8116T1-7	DUR193 SERIAL NO. LABEL	1				
008		644809-6	TERMINAL	1				
009		620J15-7	CONTROLLER	1				
010		688172-7	LINE FILTER	1				
011		8116S5-2	DUR193 NAME PLATE	1				
012		183V19-7	GRIP HOUSING SET	1				
	C10	263005-3	RUBBER PIN 6	2				
	D10		INC. 1					
013		266326-2	TAPPING SCREW 4X18	6				
014		183V18-9	PIPE COVER SET	1				
	D10		INC. 16					
015		266326-2	TAPPING SCREW 4X18	4				
016		183V18-9	PIPE COVER SET	1				
	D10		INC. 14					
017		660500-8	POWER SUPPLY CORD	1				
018		141J09-4	PIPE 22 COMPLETE A	1				
	C10	413G07-3	PIPE CAP	1				
	C20	8049C7-1	MAKITA LOGO LABEL	1				
	C30	8052U7-8	CAUTION LABEL	1				
019		265C82-9	HEX. BOLT M6X35	1				
020		266326-2	TAPPING SCREW 4X18	1				
021		413G10-4	SLEEVE	1				
022		213105-9	O RING 11	1				
023		413G09-9	LEVER 60	1				
024		252133-9	HEX. NUT M6	1				
025		961014-3	STOP RING E-8	1				
026		265C83-7	HEX.BOLT M6X75	1				
027		413F75-0	LOOP HANDLE	1				
028		264072-1	THUMB NUT M6	1				
029		183V20-2	MOTOR HOUSING SET	1				
	C10	263005-3	RUBBER PIN 6	2				
	C20	346275-0	PLATE	1				
	D10		INC. 36					
030		183V17-1	PIPE HOLDER SET	1				
	D10		INC. 32					
031		266326-2	TAPPING SCREW 4X18	2				
032		183V17-1	PIPE HOLDER SET	1				
	D10		INC. 30					
033		266326-2	TAPPING SCREW 4X18	2				
034		231113-8	COMPRESSION SPRING 12	1				
035		413G08-1	LOCK OFF BUTTON B	1				
036		183V20-2	MOTOR HOUSING SET	1				
	C10	263005-3	RUBBER PIN 6	2				
	C20	346275-0	PLATE	1				
	D10		INC. 29					
037		266326-2	TAPPING SCREW 4X18	6				
038		413F73-4	PROTECTOR	1				
039		911119-9	PAN HEAD SCREW M4X12	1				
040		347977-1	CUTTER	1				
041		266427-6	TAPPING SCREW 4X12	1				
042		327969-6	WIRE GUARD	1				
043		629B13-0	DC MOTOR	1				DH079
043-1		629B89-7	DC MOTOR	1	<	DH079		
044		210235-7	BALL BEARING 625ZZ	1				
045		227949-1	HELICAL GEAR 48	1				
046		327967-0	CUTTER SHAFT	1				
047		210217-9	BALL BEARING 609ZZ	1				

A:DUR193Z(N)
B:DUR193RF(H)

Interchange
O : Yes
X : No
< : the new part can be substituted for the current.
> : the current part can be substituted for the new.
S : Interchangeable as a set.

