



TH	THAILAND
----	----------

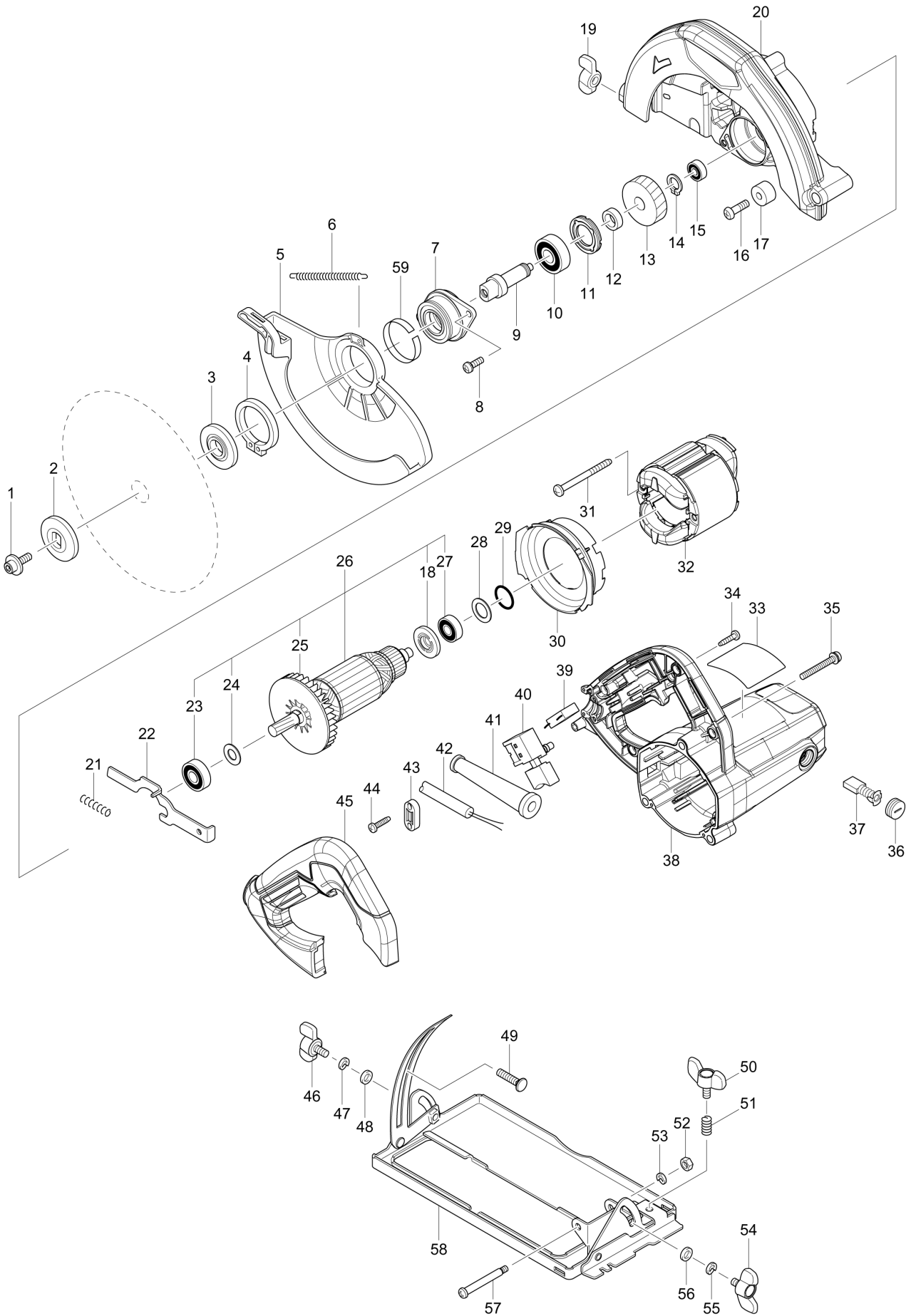
Diagram / Parts List

M5801

185MM CIRCULAR SAW



(TH) M5801 / 185MM CIRCULAR SAW



TH	THAILAND
-----------	-----------------

M5801 / 185MM CIRCULAR SAW

Item	Sub	Parts No.	Parts Description	Qty	I/C	E/C No.	Close No.	Remark
001		266819-9	HEX.SOKCET HEAD BOLT M6X20	1				
002		224387-8	OUTER FLANGE 40	1				
003		224386-0	INNER FLANGE 40	1				
004		961155-5	RETAINING RING S-38	1				
005		418150-1	SAFETY COVER	1				
006		231833-4	TENSION SPRING 3	1				
007		318880-3	BEARING BOX	1				
008		265120-9	PAN HEAD SCREW M5X16	2				
009		324320-1	SPINDLE	1				
010		211477-6	BALL BEARING 6201ZZ	1				
011		285852-2	BEARING RETAINER 19-33	1				
012		257173-2	RING 12	1				
013		227768-5	HELICAL GEAR 38	1				
014		961052-5	RETAINING RING (EXT) S-12	1				
015		210137-7	BALL BEARING 606ZZ	1				
016		265117-8	+PAN HEAD SCREW M6X20	1				
017		262556-3	RUBBER SLEEVE 6	1				
018		681644-1	INSULATION WASHER	1				
019		252649-4	THUMB NUT M6	1				
020		143126-6	BLADE CASE COMPLETE	1				
	C10	213445-5	O-RING 26	1				
021		233117-6	COMPRESSION SPRING 6	1				
022		345317-7	SHAFT LOCK	1				
023-1		210199-5	BALL BEARING 6000ZZ	1				
024		267256-0	FLAT WASHER 10	1				
025		240064-4	FAN 70	1			DC403	
025-1		240064-4	FAN 70	1	O	DC403		
026		510423-9	ARMATURE ASS'Y 220V	1				
	D10		INC. 18,23-25,27					
027		210046-0	BALL BEARING 608ZZ	1				
028		267255-2	FLAT WASHER 14	1				
029		213279-6	O RING 18	1				
030		452092-9	BAFFLE PLATE	1				
031		266329-6	TAPPING SCREW 5X60	2				
032-2		590067-1	FIELD ASSY 220V	1				
	C10	654020-2	RING TERMINAL	2				
	C20	654501-6	CONNECTOR P-1.25	2				
033		850U99-9	M5801 NAME PLATE	1				
034-1		265652-6	TAPPING SCREW 4X18	4				
035		265104-7	PAN HEAD SCREW M5X40	3				
036-3		643750-0	BRUSH HOLDER CAP 7-11	2				
037		B-80379	CARBON BRUSH SET CB-303A	1				
038-1		143979-3	MOTOR HOUSING COMPLETE	1				
	C10	644501-4	BRUSH HOLDER 5X11	2				
040		650246-4	SWITCH TN14-3-C01-1	1				
041-1		682574-9	CORD GUARD 10-90	1			DE694	
041-2		682106-2	CORD GUARD	1	S	DE694		
042		691780-5	POWER SUPPLY CORD 0.75-2-2.0	1			Y08439	
042-1		691780-5	POWER SUPPLY CORD 0.75-2-2.0	1	O	Y08439	DE694	
042-2		660450-7	POWER SUPPLY CORD 1.0-2-2.0	1	S	DE694		
043		687140-7	STRAIN RELIEF	1			DE694	
043-1		687123-7	STRAIN RELIEF	1	S	DE694		
044-1		265652-6	TAPPING SCREW 4X18	2				
045-1		456955-1	HANDLE COVER	1				
046		265754-8	THUMB SCREW M6X12	1				
047-1		253428-3	SPRING WASHER 6	1			D1189	
047-2		942151-2	SPRING WASHER 6	1	O	D1189	D4891	
047-3		253428-3	SPRING WASHER 6	1	O	D4891		
048		941151-9	FLAT WASHER 6	1				
049		266309-2	CAP SQUARE NECK BOLT M6X26	1				
050		265754-8	THUMB SCREW M6X12	1				
051		233376-2	COMPRESSION SPRING 8	1				
052		252175-3	HEX. NUT M5	1				
053-1		253427-5	SPRING WASHER 5	1				
054		265754-8	THUMB SCREW M6X12	1				

A:M5801B(H)

Interchange
O : Yes
X : No
< : the new part can be substituted for the current.
> : the current part can be substituted for the new.
S : Interchangeable as a set.

