



TH	THAILAND
----	----------

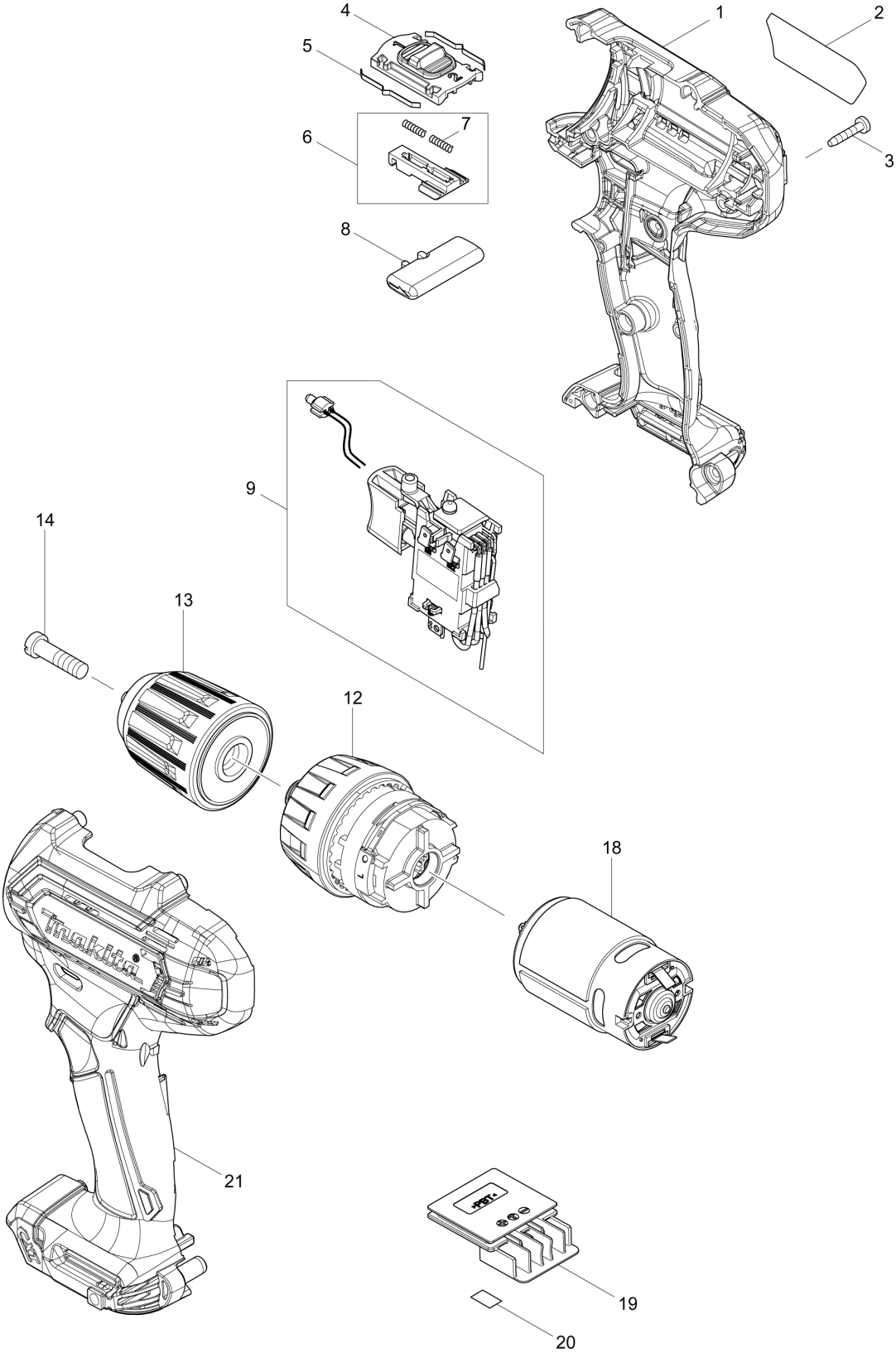
Diagram / Parts List

DF333D

CORDLESS DRIVER DRILL



(TH) DF333D / CORDLESS DRIVER DRILL



TH	THAILAND
-----------	-----------------

DF333D / CORDLESS DRIVER DRILL

Item	Sub	Parts No.	Parts Description	Qty	I/C	E/C No.	Close No.	Remark
001A		183K90-5	HOUSING SET	1				
001B		183K90-5	HOUSING SET	1				
001C		183K90-5	HOUSING SET	1				
001D		183K90-5	HOUSING SET	1				
001E		183L84-6	HOUSING SET	1				
	C10	252126-6	HEX. LOCK NUT M4-7	2				
	D10		INC. 21					
002		855E35-4	DF333D NAME PLATE	1				
003		266429-2	TAPPING SCREW 3X16	9				
004		459026-3	SPEED CHANGE LEVER	1				
005		232493-5	LEAF SPRING	2				
006		127127-2	CHANGE LEVER ASSEMBLY	1				
	D10		INC. 7					
007		233025-1	COMPRESSION SPRING 2	2				
008		456039-5	F/R CHANGE LEVER	1				
009		632J77-3	SWITCH UNIT	1				
	C10	620625-0	LED CIRCUIT	1				
012		127125-6	GEAR ASSEMBLY	1				
013		763238-5	KEYLESS DRILL CHUCK 10	1				
014		251468-5	- FLAT HEAD SCREW M6X22	1				
018		629395-8	DC MOTOR	1				
019		644813-5	TERMINAL	1				
020		855E42-7	DF333D SERIAL NO. LABEL	1				
021A		183K90-5	HOUSING SET	1				
021B		183K90-5	HOUSING SET	1				
021C		183K90-5	HOUSING SET	1				
021D		183K90-5	HOUSING SET	1				
021E		183L84-6	HOUSING SET	1				
	C10	252126-6	HEX. LOCK NUT M4-7	2				
	D10		INC. 1					
A01		251314-2	+ SCREW M4X12	1				
A02		346909-5	HOOK	1				
A03		784202-3	PHILLIPS BIT 2-45	1			DC711	
A03-1		784043-7	+BIT 2-45	1	O	DC711		
A04B		821661-1	PLASTIC CARRYING CASE	1				
	C10	417724-5	LATCH	2				
A04C		821661-1	PLASTIC CARRYING CASE	1				
	C10	417724-5	LATCH	2				
A04D		821661-1	PLASTIC CARRYING CASE	1				
	C10	417724-5	LATCH	2				
A04E		831497-0	TOOL BAG	1				
A05B		818P79-1	DF333DWYE MODEL NO. LABEL	1				
A05C		818P87-2	DF333DWAE MODEL NO. LABEL	1				
A05D		818P91-1	DF333DWME MODEL NO. LABEL	1				
A08B		456128-6	BATTERY COVER	1				
A08C		456128-6	BATTERY COVER	1				
A08D		456128-6	BATTERY COVER	1				
A08E		456128-6	BATTERY COVER	1				
A09B		***DC10WD	DC10WD BATTERY CHARGER	1				
	D10		COMPO-PARTS					
A09C		***DC10WD	DC10WD BATTERY CHARGER	1				
	D10		COMPO-PARTS					
A09D		***DC10WD	DC10WD BATTERY CHARGER	1				
	D10		COMPO-PARTS					
A09E		***DC10SB	DC10SB BATTERY CHARGER	1				
	D10		COMPO-PARTS					
A10B		199291-9	BATTERY BL1016 SET	2			D0163	
A10C		199290-1	BATTERY BL1021B SET	2			D0164	
A10D		199289-6	BATTERY BL1041B SET	2			D0165	
A10-1B		199291-9	BATTERY BL1016 SET	2	<	D0163		
A10-1C		199290-1	BATTERY BL1021B SET	2	<	D0164		
A10-1D		199289-6	BATTERY BL1041B SET	2	<	D0165		
A10-1E		199290-1	BATTERY BL1021B SET	1				

A:DF333DZ(N)
 B:DF333DWYE(H)
 C:DF333DWAE(H)
 D:DF333DWME(H)
 E:DF333DSAP1(H)

Interchange
 O : Yes
 X : No
 < : the new part can be substituted for the current.
 > : the current part can be substituted for the new.
 S : Interchangeable as a set.